



Centrifugal Powered Roof & Wall Exhausters

IM-121

August 2014

General Installation, Operation and Maintenance Instructions For Aerovent Products

Throughout this manual, there are a number of HAZARD WARNINGS that must be read and adhered to in order to prevent possible personal injury and/or damage to equipment. Two signal words "WARNING" and "CAUTION" are used to indicate the severity of a hazard and are preceded by the safety alert symbol.

 **WARNING**



Used when serious injury or death MAY result from misuse or failure to follow specific instructions.

 **CAUTION**

Used when minor or moderate injury or product / equipment damage MAY result from misuse or failure to follow specific instructions.

NOTICE

Indicates information considered important, but not hazard-related.

It is the responsibility of all personnel involved in installation, operation and maintenance to fully understand the  Warning and  Caution procedures by which hazards are to be avoided.

Models

**ACXD, ATD, ATDR, ATDW, ATDWR,
ACX, ATB, ATBR, AWX, AWXR**

Aerovent Catalog 102 provides additional information on this equipment. This catalog can be found at www.aerovent.com or by contacting your local Aerovent sales representative.

Receiving, Inspection & Unpacking

When the equipment is received all items should be carefully checked against the bill of lading to be sure all crates and cartons have been received. Before accepting delivery, carefully inspect each carton or crate for visible shipping damage. If any damage is noticed, the carrier should make the proper notation on the delivery receipt acknowledging the damage. Make notations of all damage on all copies of the bill of lading and have all copies countersigned by the delivering carrier. The carrier should also fill out a Carrier Inspection Report. The factory Traffic Department should then be contacted. File claim for damage with the carrier. Physical damage to the unit after acceptance is not the responsibility of Aerovent.

Unpack each carton or crate and verify that all required parts and proper quantities of each item have been received. Refer to drawings for part descriptions. Report shortages or missing items to your local representative to arrange for replacement parts.

Due to availability of carriers and truck space, it is not possible to guarantee that all items will be shipped together. Verification of shipments must be limited to only those items on the bill of lading.

The unit nameplate must be checked to make sure the voltage agrees with the power supply available.

General Installation



CAUTION

Sheet metal parts, screws, clips and similar items inherently have sharp edges, and it is necessary that the installer and service personnel exercise caution.

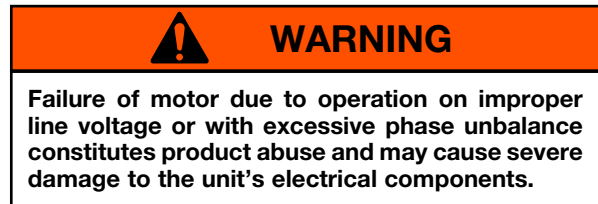
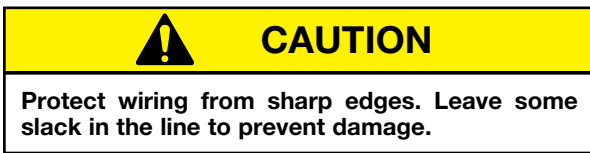
The installation of this equipment shall be in accordance with the regulations of authorities having jurisdiction and all applicable codes.

This equipment is to be installed by an experienced installation company and fully trained personnel.

The mechanical installation of the exhaust ventilator consists of making final connections between the unit and building services, duct connections.

Electrical Connection

1. Connect supply wiring to the disconnect switch (non-fused standard). Check the wiring diagrams on the motor for connections.
2. The motor is factory set at the voltage marked on the fan nameplate. Check the line voltage with the nameplate voltage and wiring diagrams.
3. The main power wiring should be sized for the ampacity shown on the dataplate. Size wires in accordance with the ampacity tables in Article 310 of the National Electrical Code. If long wires are required, it may be necessary to increase wire size to prevent excessive voltage drop. Wires should be sized for a maximum of 3% voltage drop.
4. Disconnect switches are not fused. The power leads must be protected at the point of distribution in accordance with the fan dataplate.
5. On fans without a thermal protector integral to the motor (refer to unit or motor dataplate to determine if protector is present) a separate overload device is required. Refer to Sections 430-32 of the N.E.C. for sizing.
6. All units must be electrically grounded in accordance with local codes or, in the absence of local codes, with the latest edition of the National Electrical Code (ANSI/NFPA 70). A ground lug is provided as standard in the unit terminal box. Size grounding conductor in accordance with Table 250-95 of the National Electrical Code. **DO NOT** use the ground lug for connecting a neutral conductor.
7. Supply voltage to the power ventilator should not vary by more than 10% of the value indicated on the unit dataplate. Phase unbalance must not exceed 2%.



Roof Fan Installation

Downblast Fans:

1. Position the fan with its wiring conduit in line with the wiring coming up through the roof curb and damper (if present). If the fan has an external disconnect switch, position the fan with the junction box towards the power supply.

Upblast Fans:

1. Position the fan with its wiring conduit, coming through the outer fan housing or its external disconnect, towards the power supply.

2. Run wires through the conduit to the switch. Leave some slack in the wire in the motor compartment so the motor and wheel assembly can be lifted for inspection and cleaning.
3. Bolt the fan base to the roof curb through the holes provided on the base using eight (8) lag bolts.
4. Make connection to the disconnect switch per above electrical instructions.
5. Restaurant fan installation must be in compliance with local codes and the National Fire Protection Association's NFPA-96.

Wall Fan Installation

1. Your wall fan is shipped with a wall mounting bracket. Refer to the wall fan dimensional drawing on page 11 for mounting hole locations. Consideration should be taken when choosing wall fan location with regard to other buildings, parking lots, etc.
2. After drilling pilot holes, bolt the wall mounting bracket to the wall through the holes provided on the bracket flange using eight (8) lag bolts.
3. Position fan with the motor compartment breather tube facing downward.
4. Run wires through conduit to switch. Leave some slack in the wire in the motor compartment so that the motor and wheel assembly can be lifted for inspection and cleaning. If fan has an external disconnect switch (standard on restaurant units) bring power to switch.
5. Bolt the fan base to the wall bracket using hardware provided.
6. Make connection to the disconnect switch per above electrical instructions.
7. Restaurant fan installation must be in compliance with local codes and the National Fire Protection Association's NFPA-96.
8. Models ACXD, ATD, ATDR, ACX, ATB and ATBR are not designed to be mounted to a wall.

Check, Test & Start Procedure

⚠ WARNING

Electric shock hazard. Could cause severe injury or death. Failure to bond the frame of this equipment to the building electrical ground by use of the grounding terminal provided or other acceptable means may result in electrical shock. Disconnect electric power before servicing equipment. Service to be performed only by qualified personnel. Make sure power is turned off and locked in the OFF position.

⚠ WARNING

Especially check three-phase units for rotation. For three-phase, rotation can be changed by interchanging any two of the three line leads. If the unit is checked on temporary wiring, it should be rechecked when permanently installed. Motor burn-out or tripped overload protection devices are usually the result of wrong rotation.

1. Check to verify that the wheel is free to rotate.
2. For optimum fan performance make sure that the wheel to inlet venturi gap or overlap is maintained. See Table 2.
3. Verify that supply voltage on the line side of disconnect agrees with voltage on fan data plate and is within the 10% utilization voltage.
4. Apply power to unit and check rotation of wheel with the directional arrow on the unit. See Table 1.

⚠ WARNING

Rotation is critical. If allowed to operate in the wrong direction, the motor will overload and burn out.

5. **Electrical Input Check:** Perform check of fan ampere draw and verify that motor nameplate amps are not exceeded. Take into account the service factor range if motor is nameplated above a 1.0 service factor.
6. Fan RPM should be checked and verified with a tachometer.
7. **Units with Speed Control (Direct Drive):** Verify that speed controller gives desired operating range of RPM. If minimum speed value is not desired, it may be adjusted. See page 4.

NOTICE

The fan was balanced at the factory to be within stringent vibration levels before shipment. However, there are several things that may cause vibration, such as rough handling in shipment and installation, weak foundations and alignments.

Table 1. Wheel Rotation*

MODEL	CW	CCW
ACX	all other	070, 075
ATB/ATBR/AWX/AWXR	all other	160, 180
ACXD	---	all
ATD/ATDR/ATDW/ATDWR	---	all

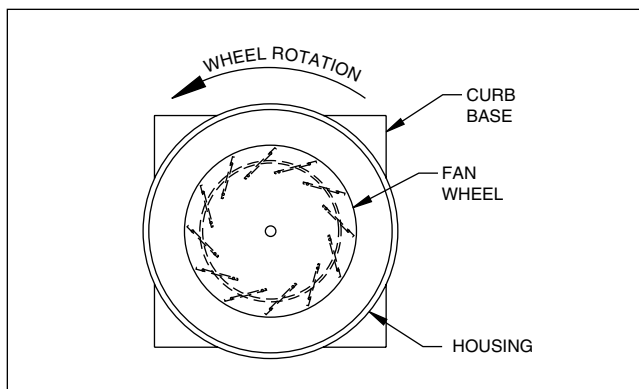
* Wheel rotation is determined when viewed from top of fan (opposite air intake).
Note: On fans with three phase motors the wheel rotation can be changed by reversing any two power leads.

Table 2. Wheel to Inlet Venturi

MODEL	GAP	OVERLAP
ACX 070/075	---	0.25
ACX*	---	0.50
ATB/ATBR/AWX/AWXR	0.06	---
ACXD	0.25	---
ATD/ATDR/ATDW/ATDWR	0.06	---

*all sizes except 070 and 075.

Figure 1. Fan Wheel Rotation - View from Exhaust End



Note: CCW rotation shown, CW rotation is similar but opposite.

Speed Control Installation

(Models ACXD, ATD, ATDR, ATDW, ATDWR - optional)

Speed control is available using 115/60/1 open type PSC or shaded pole motors.

Installation

Connect control in series with motor and line voltage (115V only). Never connect across line. See Figure 2.

Minimum Speed Setpoint

All controls are factory set to 65V±3V output as standard with an input voltage of 120V. If different minimum speed is desired, the control may be adjusted by turning minimum speed pot clockwise to decrease minimum speed and counterclockwise to increase minimum speed. Refer to Figure 3.

WARNING

If minimum speed is readjusted, verify unit ampere draw does not exceed motor nameplate amps. Do not operate unit in range where amp draw exceeds motor nameplate.

CAUTION

These motors operate more efficiently in the ranges set from the factory. Operating motor outside these ranges (see Table 3) may cause motor to run hotter and substantially shorten motor life.

NOTICE

Lowering the minimum speed setpoint may adversely affect motor start-up characteristics.

WARNING

Certain failure modes of solid-state controls such as half-waving can cause high levels of DC, motor overheating and motor burn-out. Therefore, a thermal overload protection (integral with motor) is required to limit the maximum motor temperature under such a failure.

Figure 2. Connection Diagram, Speed Control

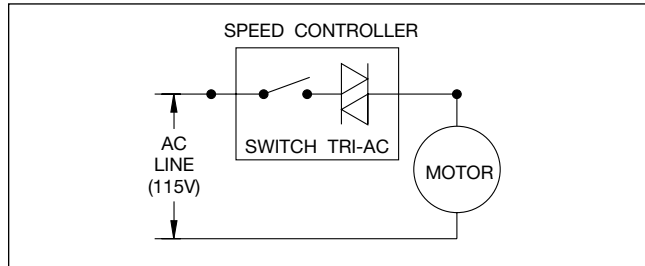


Table 3. Speed Controller RPM Range

HP	RPM	MAX. RPM	MIN. RPM
1/30	1650/1500/1350 ^{2,3}	1650 ⁴ 1500 ⁵	1300 ⁴ 950 ⁵
1/8			
1/15	860	860	500
1/8			
1/6			
1/4			
1/2	1140	1140	900
1/8			
1/6			
1/4			
1	1725	1725	1200
1/3			
1/2			
3/4			

NOTES:

- Speed control available **only** with 115/60/1 open motors (thermally protected).
- Three-speed motor (multiple tap winding).
- Speed control **should not** be connected to low speed tap on motor because of starting characteristics.
- Speed control connected to high speed tap on motor.
- Speed control connected to medium speed tap on motor.

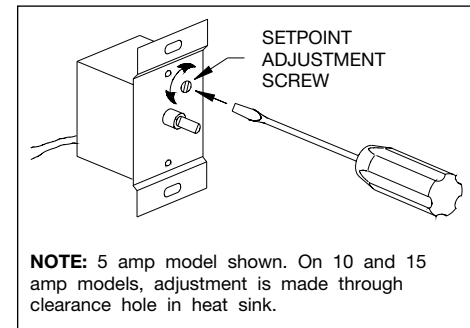
NOTICE

Do not allow any sleeve bearing motor to operate below 500 RPM. Operation below 500 RPM will substantially shorten bearing life.

Table 4. Speed Controller Size

MOTOR					SPEED CONTROLLER DESIGNATION / FLA		
PART NUMBER	ENCLOSURE	VOLTAGE	HP	RPM	KBWC-15K 5 AMP	KBWC-110 10 AMP	KBWC-115 15 AMP
66543600	Open	115V	1/8	1650/1500/1350	X		
66804500	Open	115V	1/15	860	X		
66543700	Open	115V	1/8	860	X		
67123100	Open	115V	1/6	860	X		
66543800	Open	115V	1/4	860	X		
66543900	Open	115V	1/2	860		X	
66804600	Open	115V	1/8	1140	X		
67125100	Open	115V	1/6	1140	X		
66544000	Open	115V	1/4	1140	X		
66544100	Open	115V	1/2	1140		X	
66544200	Open	115V	1	1140			X
66544300	Open	115V	1/3	1725		X	
66544400	Open	115V	1/2	1725		X	
67122500	Open	115V	3/4	1725			X

Figure 3. Low End Setpoint Adjustment



V-Belts

V-belts on these belt driven fans are oil, heat, and static resistant type and oversized for continuous duty. With proper installation and maintenance, years of operating efficiency can be added to the lifespan of the V-belt drive.

The condition of V-belts and the amount of belt tension should be checked prior to start-up (see Figure 4). When it becomes necessary to adjust belt tension, do not over-tension as bearing damage will occur. Recommended belt tension should permit $\frac{1}{64}$ " deflection per inch of span of the belt at the center of the belt span. To find this point, measure halfway between the pulley centerlines as shown in Figure 5. Extreme care must be exercised when adjusting V-belts as not to misalign the pulleys. Any misalignment will cause a sharp reduction in belt life and will also produce squeaky, annoying noises (see Figure 6). On units equipped with 2 groove pulleys, adjustments must be made so that there is equal tension on all belts (see Figure 7).

1. Where tensioning rods are not provided, adjustment is more easily obtained by loosening and adjusting one side of the motor bracket at a time.

2. Always loosen tension adjustment enough to place belts on sheaves without running belts over the edge of either sheave. A new belt may be seriously damaged internally by careless handling (see Figure 8).

WARNING

When removing or installing belts, never force belts over pulleys without loosening the motor first to relieve belt tension.

The fan has been checked for mechanical noises at the factory prior to shipment. If mechanical noise should develop, then some suggestions are offered here as a guide toward remedying the cause.

1. Check rotating members for adequate clearance.
2. Check proper belt tension and pulley alignment.
3. Check installation and anchoring.
4. Check fan bearings.

Figure 4. Eliminate Slack

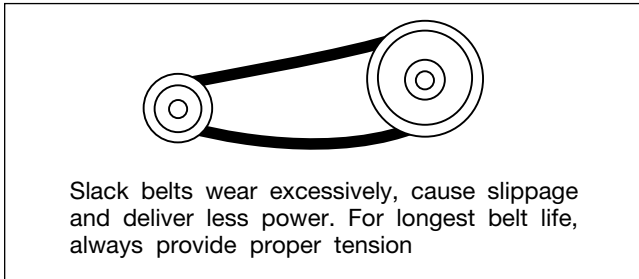


Figure 5. Belt Deflection

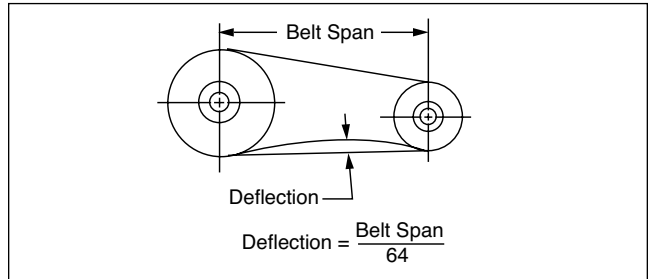


Figure 6. Alignment

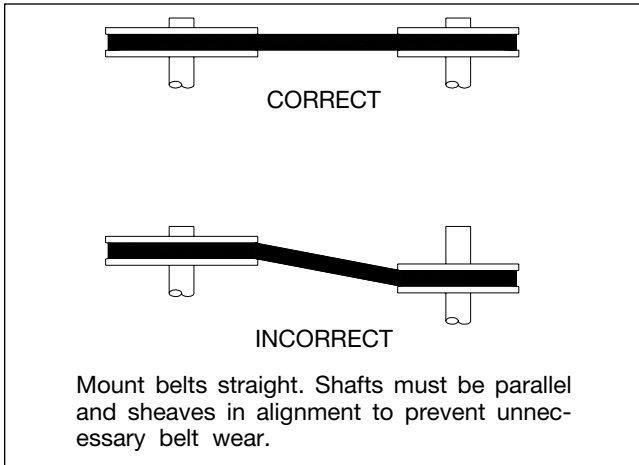


Figure 7. Two-Groove Sheaves (Pulleys)

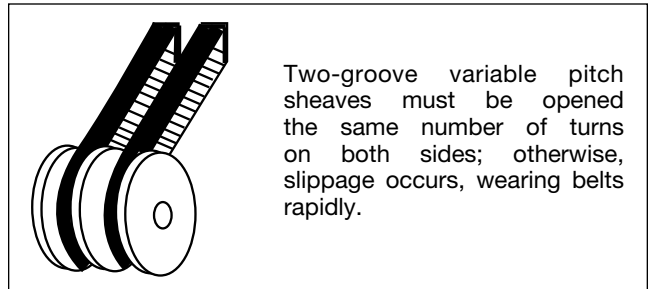
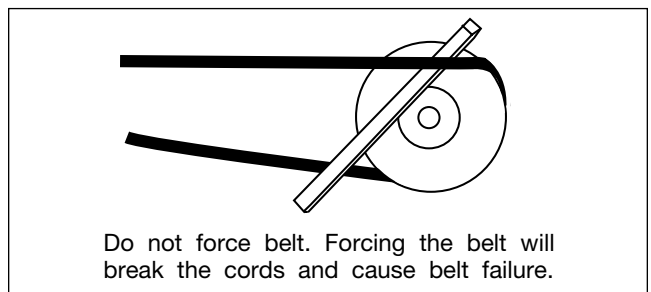


Figure 8. Belts

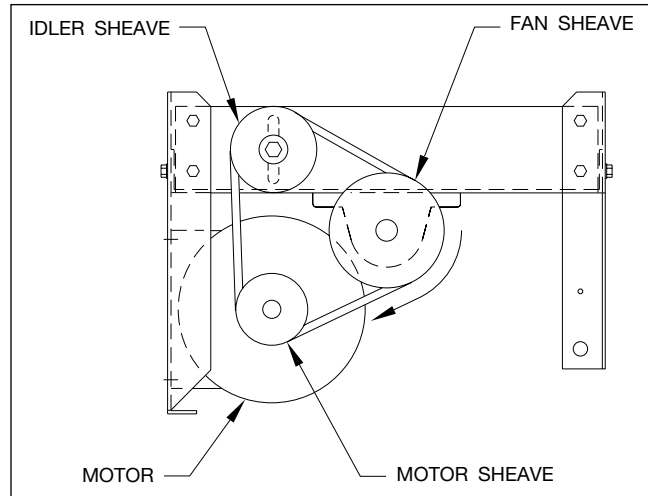


Three-Pulley (Idler Sheave) Assembly

Single bolt belt adjustment (Figure 9) can be made by loosening the idler sheave bolt (with $\frac{3}{4}$ " wrenches) and moving it to the point where proper tension is achieved, per Page 5, Figure 5. Alignment is necessary prior to belt adjustment. See Figure 6.

This configuration is standard on ACX sizes 070-160 and ATB (family) sizes 110-180. All other adjustments are made by moving the motor.

Figure 9. Three-Pulley (Idler Sheave) Assembly



Maintenance

Installation and maintenance are to be performed only by qualified personnel who are familiar with local codes and regulations and experienced with this type of equipment.



CAUTION

Sharp edges and screws are a potential injury hazard. Avoid them.



WARNING

Hazardous moving parts. Unit may contain protected fan motor which may start automatically and cause injury. Allow time for reset. Disconnect power before servicing.

Preventive maintenance is the best way to avoid unnecessary expense and inconvenience. Start-up and routine maintenance should cover the following items:

- Tighten all setscrews, bolts and wire connections.
- Check belt tension and sheaves for wear.
- Lubricate fan bearings (see Tables 5 and 6).
- Cleaning of unit, wheel and damper (if present).

All motors containing ball bearings are permanently lubricated from the factory. No additional maintenance is required.


- Before performing any maintenance on the fan, be sure power is turned off and locked in the OFF position at the service entrance.
- Ventilators should be carefully checked at least once a year. For critical or rugged applications, a routine check every two or three months is suggested.
- All motors supplied with Aerovent ventilators carry a one-year limited warranty from date of shipment. For repairs within the warranty period, the motor must

be taken to the motor manufacturer's authorized service dealer. Contact your representative for additional warranty details.

- A periodic motor check should consist of spinning the motor shaft with the power off to be sure the motor turns freely and the bearings run smoothly. The belt on belt driven units should be removed from the motor sheave.
- When removing or installing a belt, do not force the belt over the sheave. Loosen the motor mount so that the belt can be easily slipped over the sheave.
- The belt on belt driven units should be removed and carefully checked for glazing, cracks, ply separation or irregular wear. A small irregularity in the contact surface of the belt will result in noisy operation. If any of these defects are apparent, the belt should be replaced. Check the sheaves also for chipping, dents or rough surfaces which could damage the belt.
- The correct belt tension is important. Too tight of a belt will result in excess bearing pressure on the motor bearings and shaft pillow blocks and may also overload the motor. Too loose of a belt will result in slippage which will quickly "burn" out belts. A belt should feel "live" when thumped, approximately $\frac{1}{4}$ " belt deflection (3 to 5 lb.) when subject to finger pressure at midpoint between sheaves.
- The belt alignment should also be checked to be sure the belt is running perpendicularly to the rotating shafts. Fan and motor shafts must be parallel. Improper alignment will result in excessive belt wear.
- Check sheave setscrews to ensure tightness. Proper keys must be in keyways.
- Do not readjust fan RPM. If sheaves are replaced, use only sheaves of identical size and type.

11. If unit is to be left idle for an extended period, it is recommended that belts be removed and stored in a cool, dry place to avoid premature belt failure.
12. The standard pillow block bearings on belt driven ventilators are factory lubricated and are provided with external grease fittings. Lubrication annually is recommended, or more frequently if needed (see Table 5).

It is recommended to add fresh grease at start-up, but do not over-grease. Use only 1 or 2 shots of a recommended lubricant with a hand gun in most cases (see Table 6). Maximum hand gun rating 40 P.S.I. Rotate bearings during lubrication where good safety practice permits.

	CAUTION
Greases of different soap bases (lithium, sodium, etc.) may not be compatible when mixed. Prevent such intermixing by completely purging the bearing of old greases.	

The most frequent causes of bearing failure are not greasing often enough, using an excessive quantity of grease, or using incompatible greases. Excessive vibration, especially if the bearing is not rotating, will also cause bearings to fail. Bearings must also be protected from water and moisture to avoid internal corrosion.

Table 5. Suggested Fan Bearing Greasing Intervals

INTERVAL (MONTHS)	TYPE OF SERVICE
12 to 18	Infrequent operation or light duty in clean atmosphere.
6 to 12	8 to 16 hrs./day in clean, relatively dry atmosphere.
3 to 6	12 to 24 hrs./day, heavy duty, or if moisture is present.
1 to 3	Heavy duty in dirty, dusty locations; high ambient temperatures; moisture laden atmosphere; vibration.

Table 6. Grease Manufacturers

MANUFACTURER	GREASE (NLGI #2)
Shell	Shell Gadus S2 V100 2
Exxon/Mobil	Ronex MP

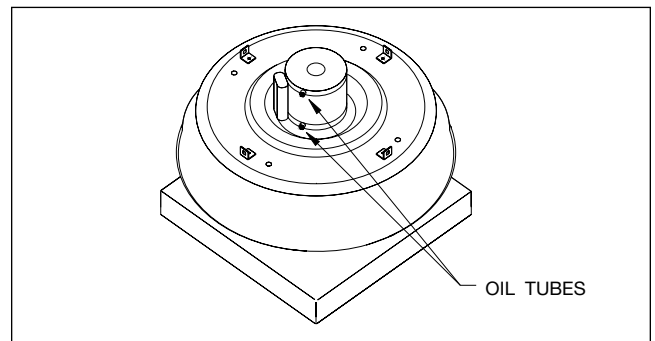
13. During the first few months of operation it is recommended that the bearing setscrews be checked periodically to ensure that they are tight.
14. The rotating wheel requires particular attention since materials in the air being handled can build up on the blades to cause destructive vibration or weaken the structure of the wheel by corroding and/or eroding the blade metal. Regular inspection and corrective action at intervals determined by the severity of each application are essential to good service life and safety.

Motor Lubrication

Motors which contain ball bearings are permanently lubricated from the factory. No additional maintenance is required.

Motors which contain sleeve bearings require lubrication every six (6) months. Use SAE-20W lubricant and add five (5) drops to each location shown in Figure 10. DO NOT OVER LUBRICATE.

Figure 10. Sleeve Bearing Motor Oil Tube Location



Storage

If fans are stored for any length of time, they should be stored in a clean, dry location to prevent rust and corrosion. Outdoor storage is not recommended. When outdoor storage is necessary, fans should be protected from the elements as completely as possible. Cover the fan inlet and outlet and keep motors dry and clean.

For extended storage (more than 3 months) motor shafts and bearings should be rotated monthly. If stored longer

than 6 months, bearing grease in motor and fan should be purged and replaced with compatible grease. Belts should be rechecked for proper tension. Storage records should be kept to assure proper maintenance. The factory can advise warranty centers to provide motor and bearing service if needed.

Fan Troubleshooting Chart

PROBLEM	POSSIBLE CAUSES
FAN DOES NOT OPERATE	<ol style="list-style-type: none"> 1. Wrong voltage. 2. Electricity turned off or not wired properly. 3. Tripped overload protector. 4. Blown fuses. 5. Loose pulleys. 6. Broken belts.
TOO LITTLE AIR	<ol style="list-style-type: none"> 1. Wheel rotating in wrong direction. 2. Fan speed lower than design. 3. System is more restrictive (more static pressure) than expected. 4. Restricted fan inlet or outlet. 5. Inlet or outlet screens clogged. 6. Filters (if applicable) are dirty or clogged.
TOO MUCH AIR	<ol style="list-style-type: none"> 1. Fan speed higher than design. 2. System is less restrictive (less static pressure) than expected.
EXCESSIVE HORSEPOWER	<ol style="list-style-type: none"> 1. Wheel rotating in wrong direction. 2. Wheel rubbing on inlet venturi. 3. Fan speed higher than design. 4. Worn fan bearings.
EXCESSIVE NOISE	<ol style="list-style-type: none"> 1. Wheel or sheaves loose. 2. Bearing or drive misalignment. 3. Accumulation of material on wheel. 4. Worn or corroded wheel. 5. Wheel out of balance. 6. Wheel hitting housing. 7. Bent shaft. 8. Bearings need lubrication. 9. Loose bearing bolts. 10. Loose or worn bearings. 11. Mismatched belts. 12. Belts too loose or too tight. 13. Belts oily or dirty. 14. Belts worn. 15. Loose fan mounting bolts. 16. Rattle of components in high velocity airstream. 17. Electrical noise. 18. Noise from high velocity air system. 19. Vibrating parts not isolated from building. 20. Vibrating ductwork.
EXCESSIVE VIBRATION	<ol style="list-style-type: none"> 1. Wheel or sheaves loose on shaft. 2. Wheel out of balance. 3. Excessive buildup of dirt/dust on wheel. 4. Belts too loose or too tight. 5. Mismatched belts. 6. Bent shaft. 7. Bearing or drive misalignment. 8. Loose or worn bearings. 9. Fan mounting bolts loose. 10. Weak mounting base for fan. 11. Structures not cross-braced (wall fans). 12. Curb not flat and level.

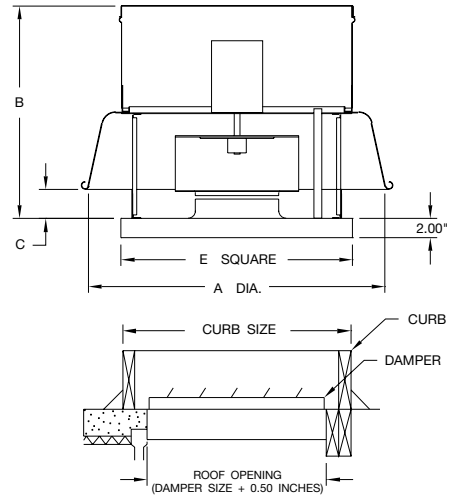
It is recommended that the users and installers of this shipment familiarize themselves with AMCA Publication #201, "Fans and Systems" and publication #202, "Troubleshooting" which are published by the Air Movement and Control Association (AMCA), 30 West University Drive, Arlington Heights, Illinois 60004. www.amca.org

Dimensions and Weights

Model ACXD

SIZE	FAN DIMENSIONS				CANTED CURB SIZE	DAMPER SIZE	AVG. SHIP WT. (LBS.)
	A	B	C	E			
060B	18.50	15.63	2.06	17.00	15.5x15.5	10x10	30
070B	18.50	15.63	2.06	17.00	15.5x15.5	10x10	30
080B	18.50	15.63	2.06	17.00	15.5x15.5	10x10	32
085B	21.00	19.31	2.63	17.00	15.5x15.5	10x10	43
090B	21.00	19.31	2.63	17.00	15.5x15.5	10x10	43
095B	21.00	19.31	2.63	17.00	15.5x15.5	10x10	43
100B	21.00	17.31	2.63	17.00	15.5x15.5	10x10	48
120B	27.88	22.38	3.63	20.00	18.5x18.5	14x14	50
130B	27.88	23.25	4.44	24.00	22.5x22.5	18x18	65
140B	27.88	23.50	4.69	24.00	22.5x22.5	18x18	67
150B	31.06	26.75	4.63	24.00	22.5x22.5	18x18	77
160B	31.06	27.25	5.19	24.00	22.5x22.5	18x18	82
170B	39.63	29.25	4.06	30.00	28.5x28.5	24x24	95
180B	39.63	30.25	5.06	30.00	28.5x28.5	24x24	100

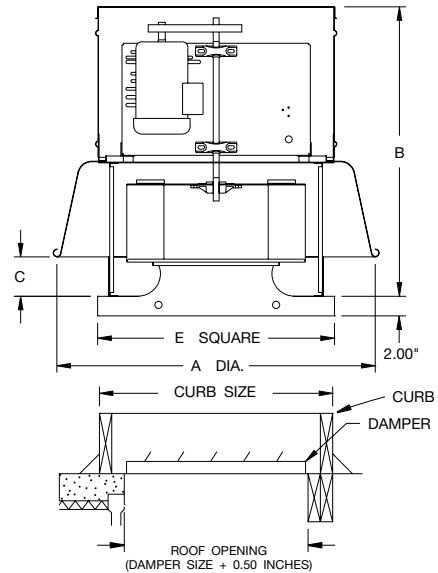
Note: Self-flashing roof curbs are to be sized 1" larger than canted curbs.



Model ACX

SIZE	FAN DIMENSIONS				CANTED CURB SIZE	DAMPER SIZE	AVG. SHIP WT. (LBS.)
	A	B	C	E			
070/075D	25.88	22.13	2.06	17.00	15.5x15.5	10x10	58
085D	27.88	23.94	2.38	17.00	15.5x15.5	10x10	67
100D	27.88	23.94	2.38	20.00	18.5x18.5	14x14	74
120D	30.94	28.13	2.56	20.00	18.5x18.5	14x14	78
140D	30.94	28.25	2.81	24.00	22.5x22.5	18x18	90
160D	33.81	29.00	3.38	26.00	24.5x24.5	20x20	107
180D	39.56	33.88	3.75	30.00	28.5x28.5	24x24	130
210D	39.56	34.06	4.00	30.00	28.5x28.5	24x24	160
240D	43.00	35.88	4.88	34.00	32.5x32.5	28x28	220
300D	52.00	38.88	4.88	40.00	38.5x38.5	34x34	270
360D	61.50	44.38	6.88	46.00	44.5x44.5	40x40	360
420D	65.75	47.81	7.00	52.00	50.5x50.5	46x46	420
480D	74.00	50.25	7.75	58.00	56.5x56.5	50x50	475

Note: Self-flashing roof curbs are to be sized 1" larger than canted curbs.



Dimensions and Weights

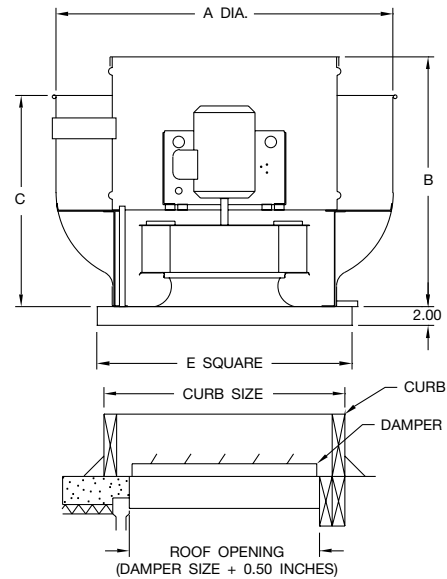
Models ATD/ATDR

MODEL		A	B	C	E	AVG. UNIT WT. (LB.)
ATD	ATDR					
071B-073B	071B-073B	22.00	24.44	18.00	17.00	100
081B-083B	081B-083B	22.00	24.44	18.00	17.00	100
091B-093B	091B-093B	22.00	26.13	18.00	20.00	120
110B	110B	31.00	28.31	28.00	24.00	135
120B	120B	31.00	27.19	28.00	24.00	135
140B	140B	31.00	27.68	28.00	24.00	145
160B	160B	31.00	29.81	28.00	24.00	180
180B	180B	37.00	29.17	30.00	30.00	180

MODEL		DAMPER SIZE	CANTED CURB SIZE	SELF FLASH CURB SIZE	ROOF OPENING
ATD	ATDR				
071B-073B	071B-073B	10 x 10	15½ x 15½	16½ x 16½	10½ x 10½
081B-083B	081B-083B	10 x 10	15½ x 15½	16½ x 16½	10½ x 10½
091B-093B	091B-093B	14 x 14	18½ x 18½	19½ x 19½	14½ x 14½
110B	110B	18 x 18	22½ x 22½	23½ x 23½	18½ x 18½
120B	120B	18 x 18	22½ x 22½	23½ x 23½	18½ x 18½
140B	140B	18 x 18	22½ x 22½	23½ x 23½	18½ x 18½
160B	160B	18 x 18	22½ x 22½	23½ x 23½	18½ x 18½
180B	180B	24 x 24	28½ x 28½	29½ x 29½	24½ x 24½

Notes:

1. Self-flashing, vented restaurant curbs are sized the same as canted curbs (for use with hinge).
2. Dampers are not to be used with restaurant fans.



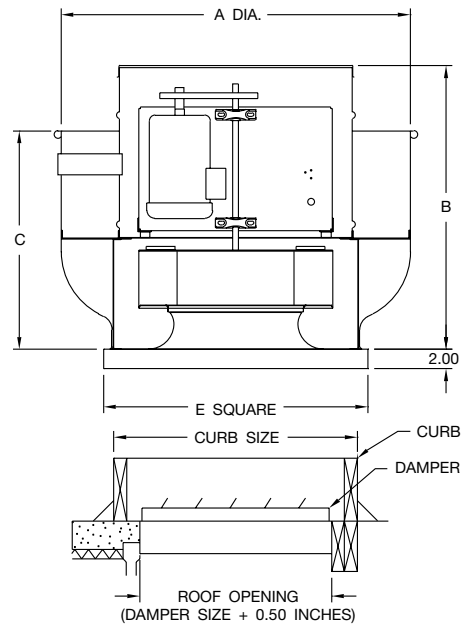
Models ATB/ATBR

MODEL		A	B	C	E	AVG. UNIT WT. (LB.)
ATB	ATBR					
110B	110B	30.00	28.56	28.00	24.00	96
120B	120B	30.00	27.19	28.00	24.00	99
140B	140B	30.00	27.68	28.00	24.00	110
160B	160B	30.00	29.81	28.00	24.00	116
180B	180B	36.00	32.31	30.00	30.00	139
210B	210B	45.00	35.61	28.25	34.00	157
240B	240B	45.00	37.56	28.25	34.00	169
300B	300B	54.00	38.25	31.00	40.00	266
360B	360B	63.00	43.88	34.00	46.00	391
420B	—	69.00	46.75	36.00	52.00	478
480B	—	75.00	49.13	39.00	58.00	523

MODEL		DAMPER SIZE	CANTED CURB SIZE	SELF FLASH CURB SIZE	ROOF OPENING
ATB	ATBR				
110B	110B	18 x 18	22½ x 22½	23½ x 23½	18½ x 18½
120B	120B	18 x 18	22½ x 22½	23½ x 23½	18½ x 18½
140B	140B	18 x 18	22½ x 22½	23½ x 23½	18½ x 18½
160B	160B	18 x 18	22½ x 22½	23½ x 23½	18½ x 18½
180B	180B	24 x 24	28½ x 28½	29½ x 29½	24½ x 24½
210B	210B	28 x 28	32½ x 32½	33½ x 33½	28½ x 28½
240B	240B	28 x 28	32½ x 32½	33½ x 33½	28½ x 28½
300B	300B	34 x 34	38½ x 38½	39½ x 39½	34½ x 34½
360B	360B	40 x 40	44½ x 44½	45½ x 45½	40½ x 40½
420B	—	46 x 46	50½ x 50½	51½ x 51½	46½ x 46½
480B	—	50 x 50	56½ x 56½	57½ x 57½	50½ x 50½

Notes:

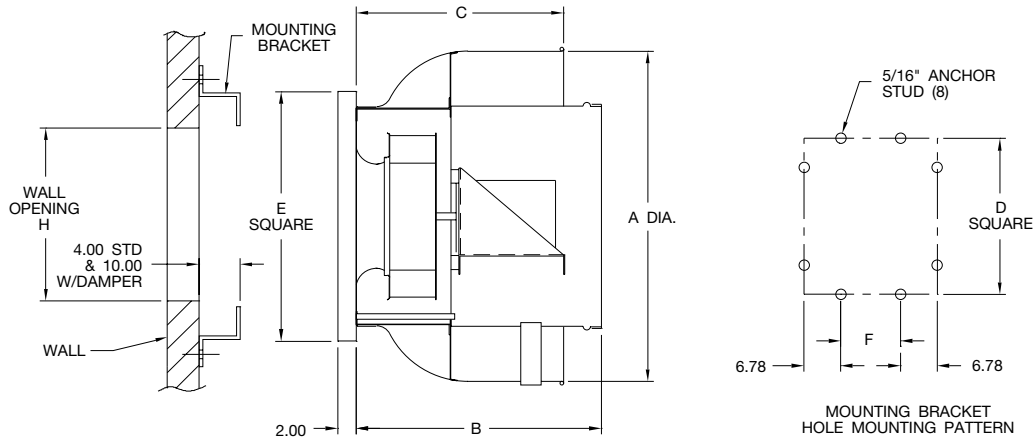
1. Self-flashing, vented restaurant curbs are sized the same as canted curbs (for use with hinge).
2. Dampers are not to be used with restaurant fans.



Dimensions and Weights

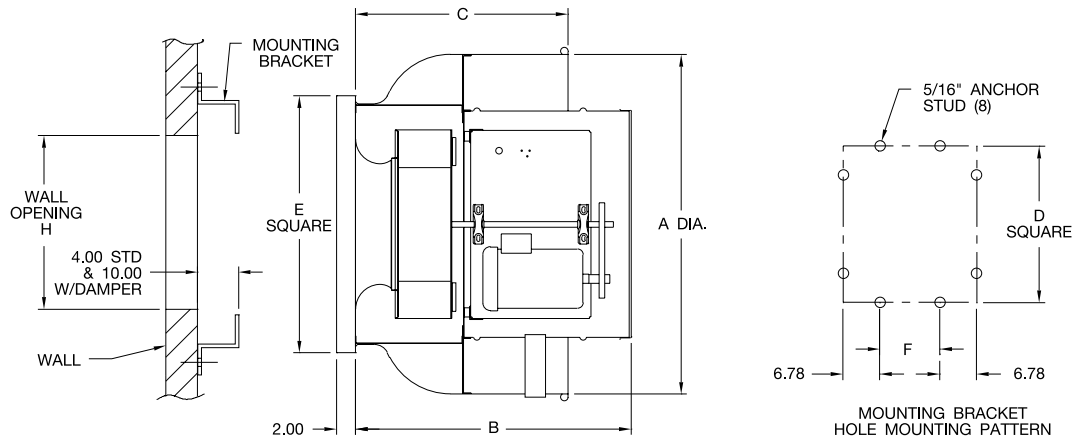
Models ATDW/ATDWR

MODEL		A	B	C	D	E	AVG. UNIT WT. (LB.)	DAMPER SIZE	WALL MTG. BRACKET	WALL OPENING (H)
ATDW	ATDWR									
071B-073B	071B-073B	22.00	24.44	5.00	18.56	17.00	100	10 x 10	16 ³ / ₄ x 16 ³ / ₄	10 ¹ / ₂ x 10 ¹ / ₂
081B-083B	081B-083	22.00	24.44	5.00	18.56	17.00	100	10 x 10	16 ³ / ₄ x 16 ³ / ₄	10 ¹ / ₂ x 10 ¹ / ₂
091B-093B	091B-093	22.00	26.13	8.00	21.56	20.00	120	14 x 14	19 ³ / ₄ x 19 ³ / ₄	14 ¹ / ₂ x 14 ¹ / ₂
110B	110B	30.00	28.31	12.00	25.56	24.00	135	17 x 17	23 ³ / ₄ x 23 ³ / ₄	17 ¹ / ₂ x 17 ¹ / ₂
120B	120B	30.00	27.19	12.00	25.56	24.00	135	17 x 17	23 ³ / ₄ x 23 ³ / ₄	17 ¹ / ₂ x 17 ¹ / ₂
140B	140B	30.00	27.68	12.00	25.56	24.00	145	17 x 17	23 ³ / ₄ x 23 ³ / ₄	17 ¹ / ₂ x 17 ¹ / ₂
160B	160B	30.00	29.81	12.00	25.56	24.00	180	17 x 17	23 ³ / ₄ x 23 ³ / ₄	17 ¹ / ₂ x 17 ¹ / ₂
180B	180B	36.00	29.17	18.00	31.56	30.00	180	24 x 24	29 ³ / ₄ x 29 ³ / ₄	24 ¹ / ₂ x 24 ¹ / ₂



Models AWX/AWXR

MODEL		A	B	C	D	E	AVG. UNIT WT. (LB.)	DAMPER SIZE	WALL MTG. BRACKET	WALL OPENING (H)
AWX	AWXR									
110B	110B	30.00	28.56	12.00	25.56	24.00	135	17 x 17	23 ³ / ₄ x 23 ³ / ₄	17 ¹ / ₂ x 17 ¹ / ₂
120B	120B	30.00	27.19	12.00	25.56	24.00	135	17 x 17	23 ³ / ₄ x 23 ³ / ₄	17 ¹ / ₂ x 17 ¹ / ₂
140B	140B	30.00	28.56	12.00	25.56	24.00	145	17 x 17	23 ³ / ₄ x 23 ³ / ₄	17 ¹ / ₂ x 17 ¹ / ₂
160B	160B	30.00	29.81	12.00	25.56	24.00	180	17 x 17	23 ³ / ₄ x 23 ³ / ₄	17 ¹ / ₂ x 17 ¹ / ₂
180B	180B	36.00	32.31	18.00	31.56	30.00	180	24 x 24	29 ³ / ₄ x 29 ³ / ₄	24 ¹ / ₂ x 24 ¹ / ₂
210B	210B	45.00	35.61	18.00	35.56	34.00	245	27 x 27	33 ³ / ₄ x 33 ³ / ₄	27 ¹ / ₂ x 27 ¹ / ₂
240B	240B	45.00	37.56	22.00	35.56	34.00	245	27 x 27	33 ³ / ₄ x 33 ³ / ₄	27 ¹ / ₂ x 27 ¹ / ₂
300B	300B	54.00	38.25	28.00	41.56	40.00	365	33 x 33	39 ³ / ₄ x 39 ³ / ₄	33 ¹ / ₂ x 33 ¹ / ₂



Limitation of Warranties and Claims

Seller warrants to the original purchaser that the goods sold hereunder shall be free from defects in workmanship and material under normal use and service (except in those cases where the materials are supplied by the buyer) for a period of one year from the date of original installation or eighteen (18) months from the date of shipment, whichever occurs first. The liability of seller under this warranty is limited to replacing, repairing, or issuing credit (at cost, F.O.B. factory and at seller's discretion) for any part or parts which are returned by buyer during such period provided that:

- a. seller is notified in writing within ten (10) days following discovery of such defects by buyer, or within ten (10) days after such defects should reasonably have been discovered, whichever is less;
- b. the defective unit is returned to seller, transportation charges prepaid by buyer.
- c. payment in full has been received by seller or said products; and
- d. seller's examination of such unit shall disclose to its satisfaction that such defects have not been caused by misuse, neglect, improper installation, repair, alteration, act of God, or accident.

No warranty made hereunder shall extend to any seller product whose serial number is altered, effaced or removed. Seller makes no warranty, express or implied, with respect to motors, switches, controls, or other components of seller's product, where such components are warranted separately by their respective manufacturers. THIS WARRANTY IS EXPRESSLY IN LIEU OF ALL OTHER WARRANTIES, EXPRESS OR IMPLIED, WHETHER STATUTORY OR OTHERWISE, INCLUDING ANY IMPLIED WARRANTY OF MERCHANTABILITY OR FITNESS FOR A PARTICULAR PURPOSE. In no event shall seller be liable to buyer for indirect, incidental collateral, or consequential damages of any kind. (BUYER'S FAILURE TO PAY THE FULL AMOUNT DUE WITHIN SIXTY (60) DAYS OF DATE OF INVOICE SHALL OPERATE TO RELEASE SELLER FROM ANY AND ALL LIABILITY OR OBLIGATION ARISING PURSUANT TO ANY WARRANTY, EXPRESS OR IMPLIED, WHETHER STATUTORY OR OTHERWISE, INCLUDING ANY IMPLIED WARRANTY OR MERCHANTABILITY OR FITNESS FOR A PARTICULAR PURPOSE, MADE IN CONNECTION WITH ANY CONTRACT FORMED HEREUNDER. BUYER AGREES THAT SUCH FAILURE TO PAY SHALL CONSTITUTE A VOLUNTARY WAIVER OF ANY AND ALL SUCH WARRANTIES ARISING PURSUANT TO SUCH CONTACT.)



AEROVENT | WWW.AEROVENT.COM

5959 Trenton Lane N | Minneapolis, MN 55442 | Phone: 763-551-7500 | Fax: 763-551-7501