



A-240 Aluminum Alloy & Dura Alloy Propeller Assembly Instructions

IM-210
June 1997

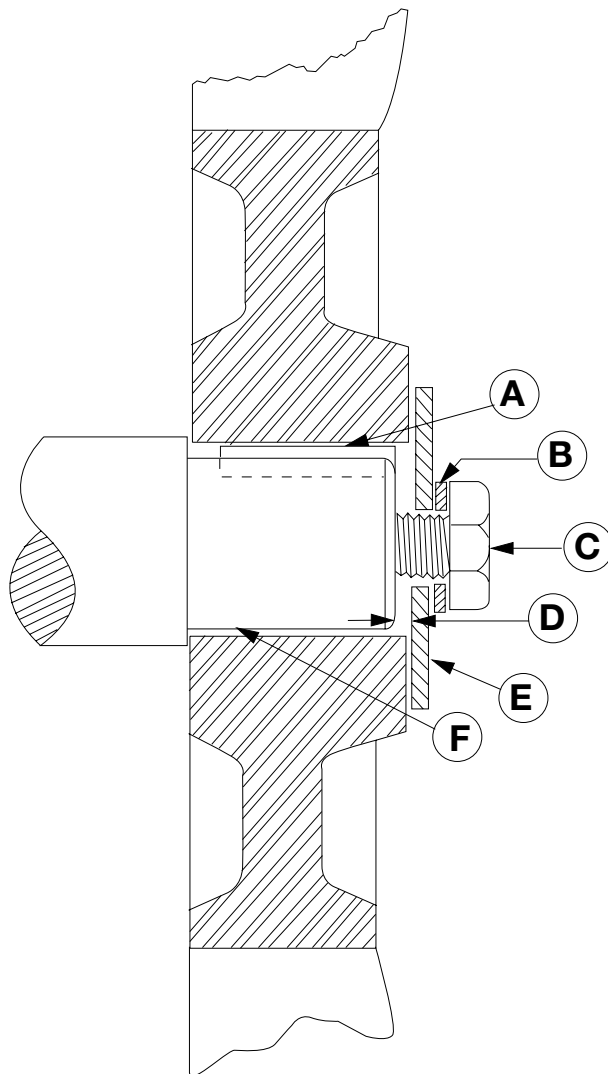
General Installation, Operation and Maintenance Instructions For Aerovent Products

Throughout this manual, there are a number of NOTICE statements that must be read and adhered to.

NOTICE

Indicates information considered important, but not hazard-related.

It is the responsibility of all personnel involved in installation, operation and maintenance to fully understand the Notice procedures by which hazards are to be avoided.



PARTS

- A - Stainless Steel Shaft Key
- B - Lock Washer (Stainless Steel)
- C - Hex Head Bolt, R.H. Thread (Stainless Steel)
- D - $\frac{1}{8}$ " Minimum Gap — Between end of shaft and washer
- E - Flat Washer (10 GA. Stainless Steel)
- F - Shaft Turndown — $\frac{1}{8}$ " on shaft diameter through $\frac{3}{4}$ "; $\frac{1}{4}$ " on shaft diameter 1" and larger.

NOTICE

Setscrews furnished in lieu of keyway on propellers with $\frac{1}{2}$ " bores.

ASSEMBLY

1. Insert key in shaft keyway.
2. Align keyway in propeller hub with key on shaft, and push propeller onto shaft.
3. Place flat washer on shaft. Must have $\frac{1}{8}$ " minimum gap.
4. Place lock washer on hex head. Bolt and tighten securely.
5. Rotate propeller by hand to check tip clearance of propeller blades to fan housing.



AEROVENT | WWW.AEROVENT.COM

5959 Trenton Lane N | Minneapolis, MN 55442 | Phone: 763-551-7500 | Fax: 763-551-7501