

General Installation, Operation and Maintenance Instructions For Aerovent Products

Throughout this manual, there are a number of HAZARD WARNINGS that must be read and adhered to in order to prevent possible personal injury and/or damage to equipment. The signal word "CAUTION" is used to indicate the severity of a hazard and is preceded by the safety alert symbol.

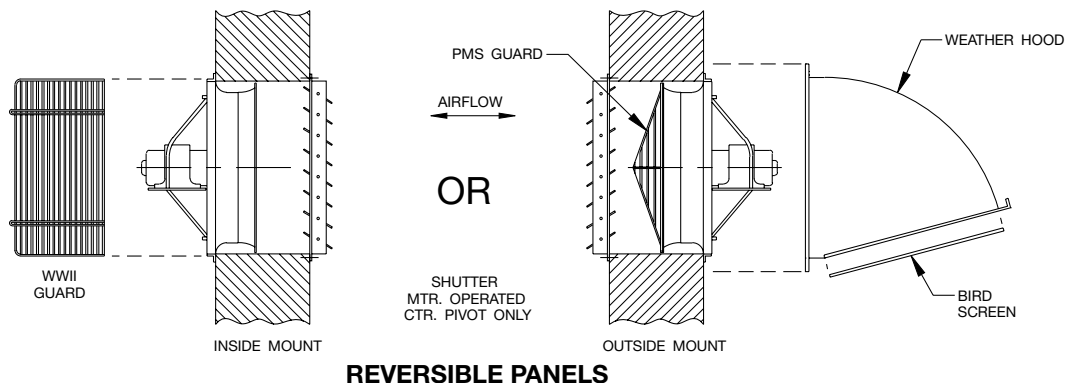
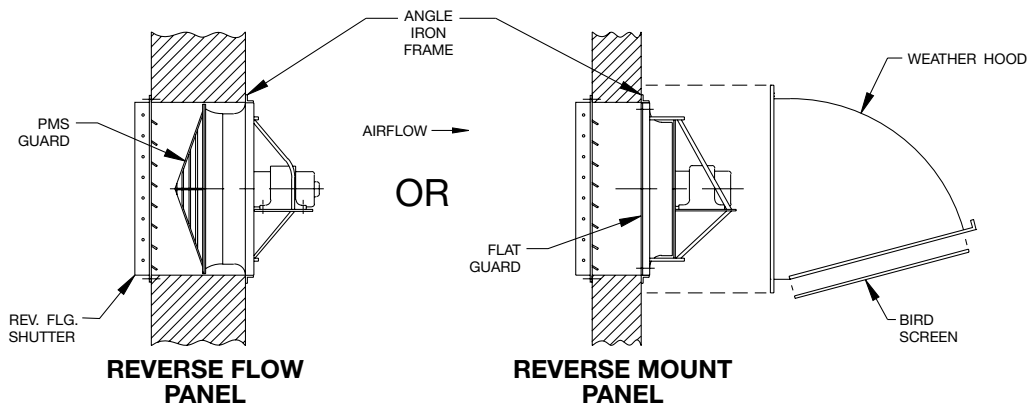
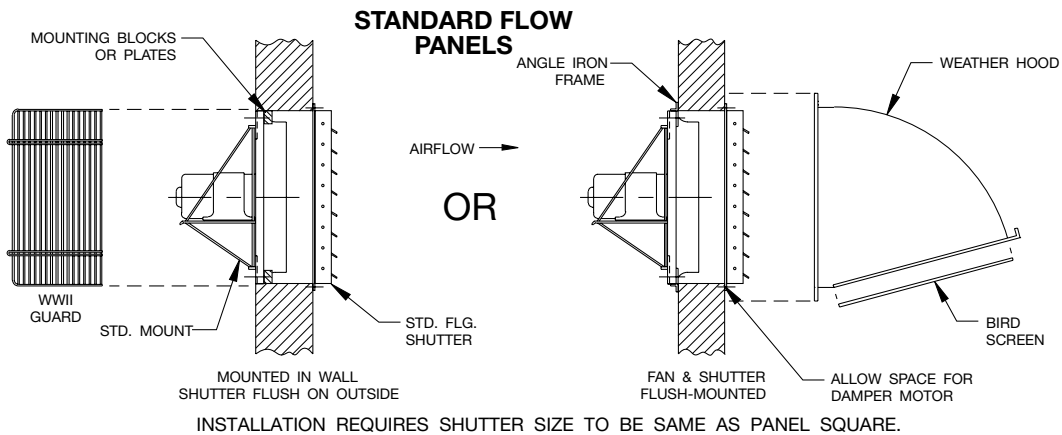
⚠ CAUTION

Used when minor or moderate injury or product / equipment damage MAY result from misuse or failure to follow specific instructions.

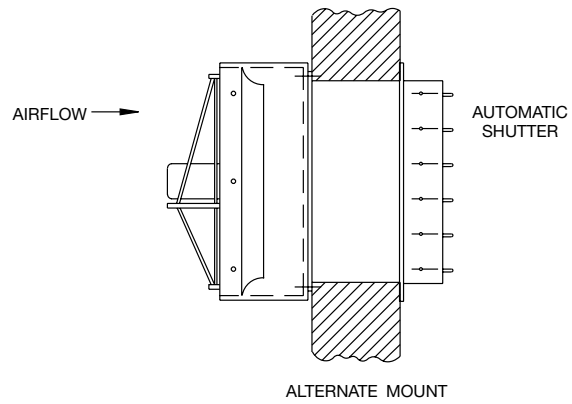
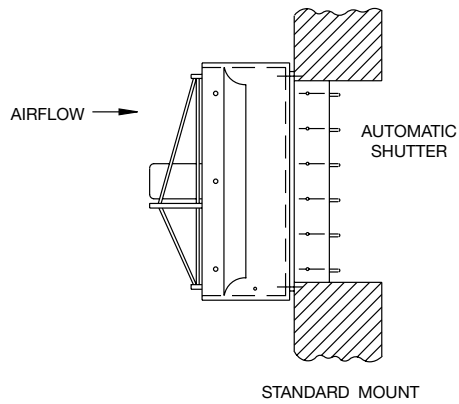
It is the responsibility of all personnel involved in installation, operation and maintenance to fully understand the ⚠ Caution procedures by which hazards are to be avoided.

Typical Panel Fan Installations

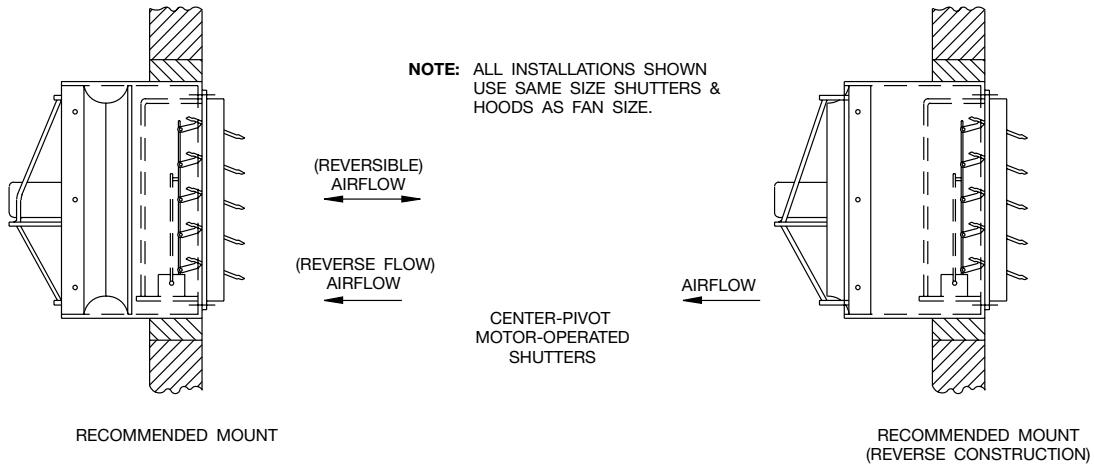
EXHAUST INSTALLATIONS



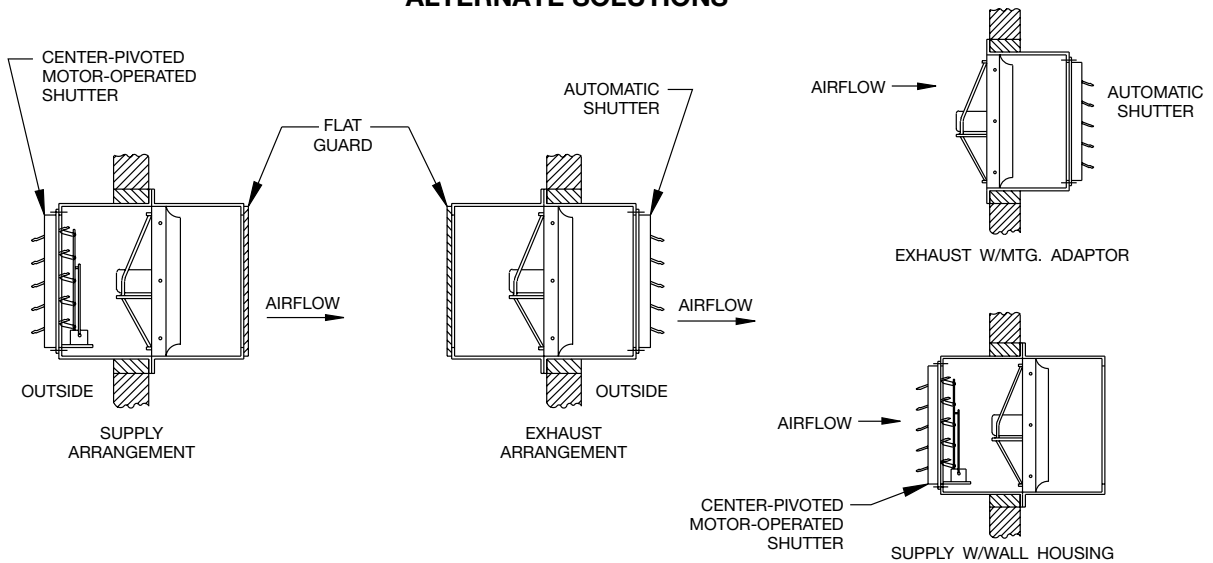
INSTALLATIONS USING MOUNTING ADAPTORS



STANDARD CONSTRUCTION

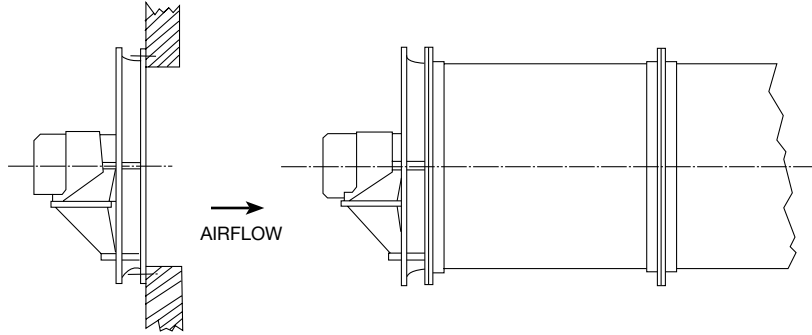


ALTERNATE SOLUTIONS



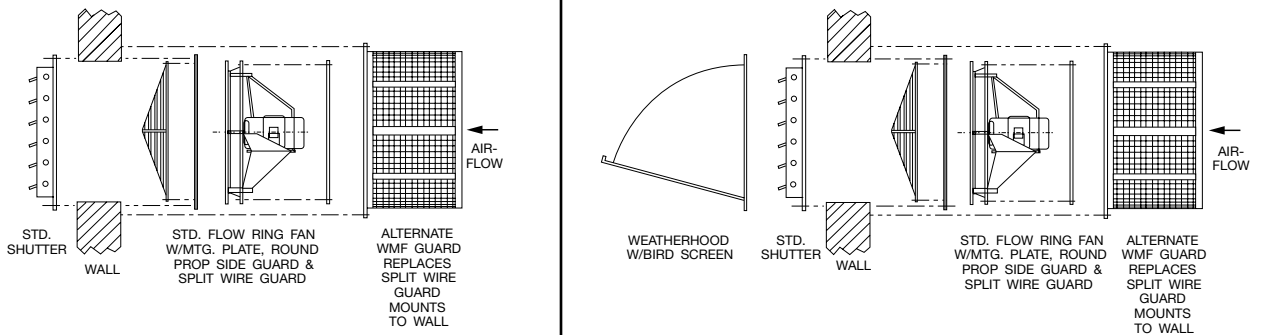
Typical Ring Fan Installations

STANDARD FLOW



FAN MOUNTED
FLUSH TO WALL

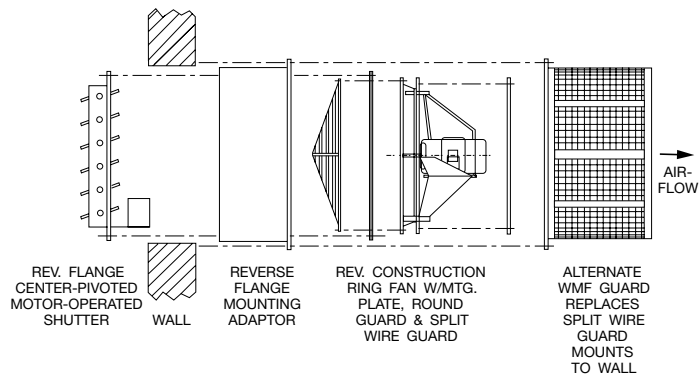
FAN MOUNTED
TO DUCTWORK



STD. SHUTTER
WALL
STD. FLOW RING FAN
W/MTG. PLATE, ROUND
PROP SIDE GUARD &
SPLIT WIRE GUARD
ALTERNATE WMF GUARD
REPLACES
SPLIT WIRE
GUARD
MOUNTS
TO WALL

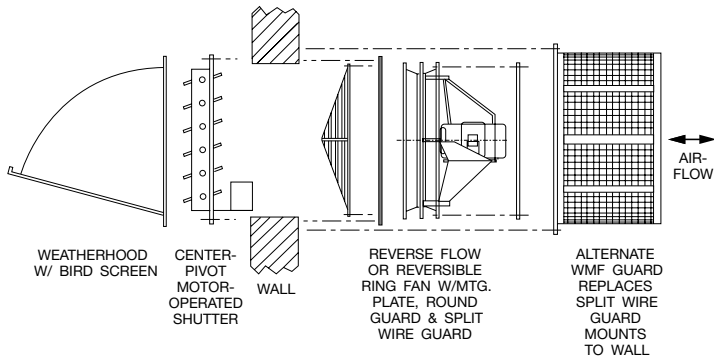
WEATHERHOOD
W/BIRD SCREEN
STD. SHUTTER
WALL
STD. FLOW RING FAN
W/MTG. PLATE, ROUND
PROP SIDE GUARD &
SPLIT WIRE GUARD
ALTERNATE WMF GUARD
REPLACES
SPLIT WIRE
GUARD
MOUNTS
TO WALL

REVERSE CONSTRUCTION



REV. FLANGE
CENTER-PIVOTED
MOTOR-OPERATED
SHUTTER
WALL
REVERSE
FLANGE
MOUNTING
ADAPTOR
REV. CONSTRUCTION
RING FAN W/MTG.
PLATE, ROUND
GUARD & SPLIT
WIRE GUARD
ALTERNATE
WMF GUARD
REPLACES
SPLIT WIRE
GUARD
MOUNTS
TO WALL

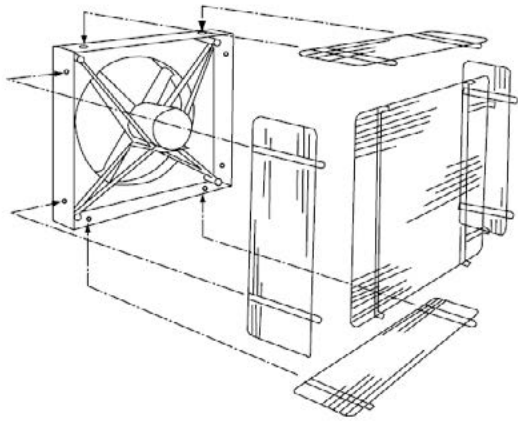
REVERSE FLOW OR REVERSIBLE



WEATHERHOOD
W/ BIRD SCREEN
CENTER-
PIVOT
MOTOR-
OPERATED
SHUTTER
WALL
REVERSE FLOW
OR REVERSIBLE
RING FAN W/MTG.
PLATE, ROUND
GUARD & SPLIT
WIRE GUARD
ALTERNATE
WMF GUARD
REPLACES
SPLIT WIRE
GUARD
MOUNTS
TO WALL

Rear Wire Guard (WWII)(Motorside) For Panel Fans

- OR -



PARTS

- (1) Rear Panel
- (4) Side Panels
- (16) or (24) Hex Head Locknuts
- (16) or (24) $\frac{5}{16}$ " x 1" Hex Head Capscrews
- (32) or (48) $\frac{3}{8}$ " I.D. Flat Washers

ASSEMBLY

1. Bolt three sides of guard to rear panel using $\frac{5}{16}$ " capscrews, nuts and flat washers.
2. Bolt partially assembled guard to panel fan using capscrews, nuts and flat washers.
3. Arrange for electrical hook-up to fan motor. Two methods may be used:
 - a. Drill out hole in fan panel and route wire or conduit through opening.

- b. Bend or cut side panel wire guard and route wire or conduit through opening.
4. Assemble fourth side to guard and panel, sliding along conduit or wiring if routing through guard.
5. Securely tighten all locknuts.

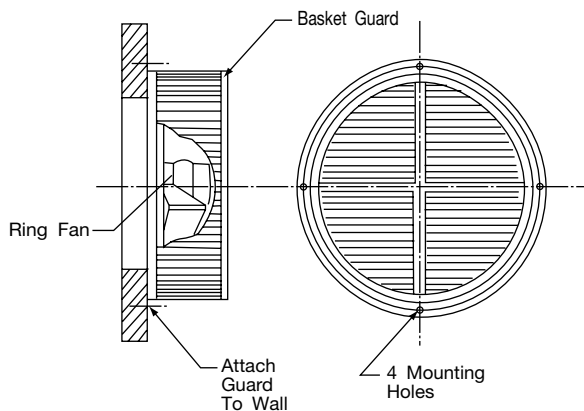
Cleaning Propellers

The propeller in an axial flow fan must be kept reasonably clean if it is to perform properly. Fans handling fresh air for ventilating purposes will seldom need cleaning. Fans exhausting process air should be cleaned as required. Dirt or chemical deposits will usually build up on a propeller evenly and they present no problem to performance or operation until they become thick enough to break away in crust-like pieces. When this happens, the propeller may be thrown out of balance and the resulting vibration could be serious. Accumulations of deposits should be removed by solvent cleaning or scraping. If the propeller has been coated, be careful not to cut through the protective covering.

Care and Maintenance

Regular and systematic inspection of all fan parts is a necessity for good fan maintenance. A general installation and maintenance brochure (IM-100) has been supplied with this shipment. It includes fan and motor bearing lubrication, care and replacement of V-belt drives and taperlock bushing instructions.

Round Motorside Basket Guard



CAUTION

Recommended distance between fan blade and shutter is approximately equal to $\frac{1}{3}$ of the fan's diameter.



WWW.AEROVENT.COM

5959 Trenton Lane N | Minneapolis, MN 55442 | Phone: 763-551-7500 | Fax: 763-551-7501