

General Installation, Operation and Maintenance Instructions For Aerovent Products

Throughout this manual, there are a number of HAZARD WARNINGS that must be read and adhered to in order to prevent possible personal injury and/or damage to equipment. Two signal words "WARNING" and "CAUTION" are used to indicate the severity of a hazard and are preceded by the safety alert symbol.

⚠ WARNING
Used when serious injury or death MAY result from misuse or failure to follow specific instructions.

⚠ CAUTION
Used when minor or moderate injury or product / equipment damage MAY result from misuse or failure to follow specific instructions.

NOTICE
Indicates information considered important, but not hazard-related.

It is the responsibility of all personnel involved in installation, operation and maintenance to fully understand the ⚠ Warning and ⚠ Caution procedures by which hazards are to be avoided.

Models: BSBP, BSDDP

Aerovent Catalog 172 provides additional information on this equipment. This catalog can be found at www.aerovent.com or by contacting your local Aerovent sales representative.



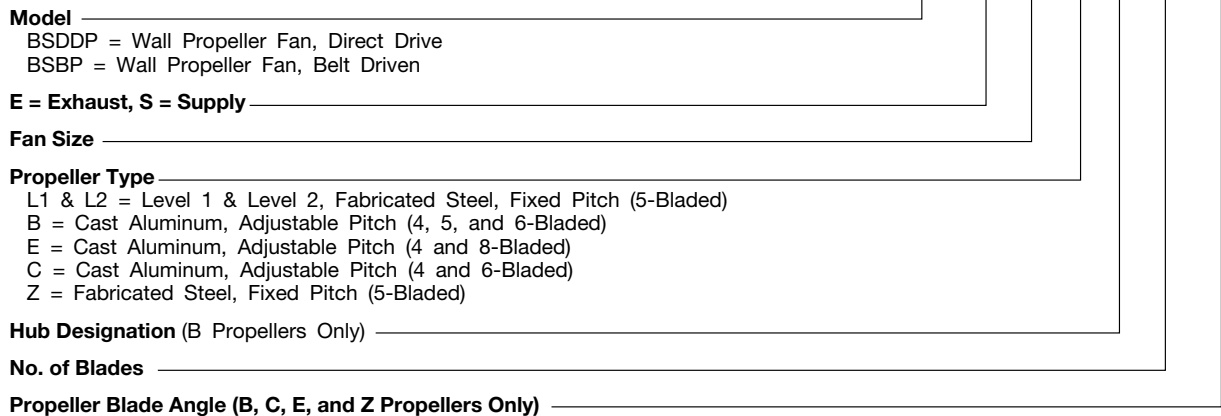
BSBP



BSDDP

Model Nomenclature

BSBP - E - 24 - B - 1 - 05 - 25



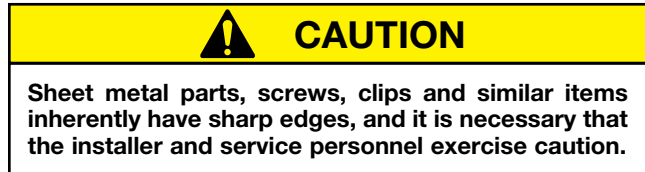
Receiving, Unpacking & Inspection

When the equipment is received all items should be carefully checked against the bill of lading to be sure all crates and cartons have been received. Before accepting delivery, carefully inspect each carton or crate for visible shipping damage. If any damage is noticed, the carrier should make the proper notation on the delivery receipt acknowledging the damage. Make notations of all damage on all copies of the bill of lading and have all copies countersigned by the delivering carrier. The carrier should also fill out a Carrier Inspection Report. The factory Traffic Department should then be contacted. File claim for damage with the carrier. Physical damage to the unit after acceptance is not the responsibility of Aerovent.

Unpack each carton or crate and verify that all required parts and proper quantities of each item have been received. Refer to drawings for part descriptions. Report shortages or missing items to your local representative to arrange for replacement parts.

Due to availability of carriers and truck space, it is not possible to guarantee that all items will be shipped together. Verification of shipments must be limited to only those items on the bill of lading.

The unit nameplate must be checked to make sure the voltage agrees with the power supply available.



The installation of this equipment shall be in accordance with the regulations of authorities having jurisdiction and all applicable codes. This equipment is to be installed by an experienced installation company and fully trained personnel. The mechanical installation of the exhaust ventilator consists of making final connections between the unit and building services, duct connections.

Storage

If fans are stored for any length of time, they should be stored in a clean, dry location to prevent rust and corrosion. Outdoor storage is not recommended. When outdoor storage is necessary, fans should be protected from the elements as completely as possible. Cover the fan inlet and outlet and keep motors dry and clean.

For extended storage (more than 3 months) motor shafts and bearings should be rotated monthly. If stored longer

than 6 months, bearing grease in motor and fan should be purged and replaced with compatible grease. Belts should be rechecked for proper tension. Storage records should be kept to assure proper maintenance. The factory can advise warranty centers to provide motor and bearing service if needed.

Limitation of Warranties and Claims

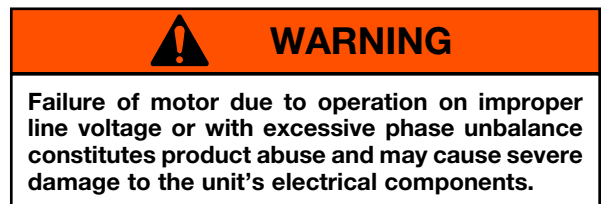
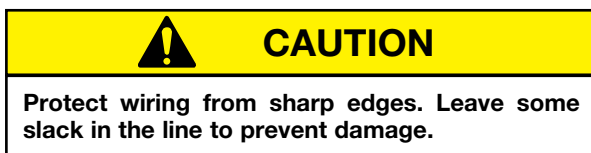
Seller warrants to the original purchaser that the goods sold hereunder shall be free from defects in workmanship and material under normal use and service (except in those cases where the materials are supplied by the buyer) for a period of one year from the date of original installation or eighteen (18) months from the date of shipment, whichever occurs first. The liability of seller under this warranty is limited to replacing, repairing, or issuing credit (at cost, F.O.B. factory and at seller's discretion) for any part or parts which are returned by buyer during such period provided that:

- a. seller is notified in writing within ten (10) days following discovery of such defects by buyer, or within ten (10) days after such defects should reasonably have been discovered, whichever is less;
- b. the defective unit is returned to seller, transportation charges prepaid by buyer;
- c. payment in full has been received by seller or said products;
- d. seller's examination of such unit shall disclose to its satisfaction that such defects have not been caused by misuse, neglect, improper installation, repair, alteration, act of God, or accident.

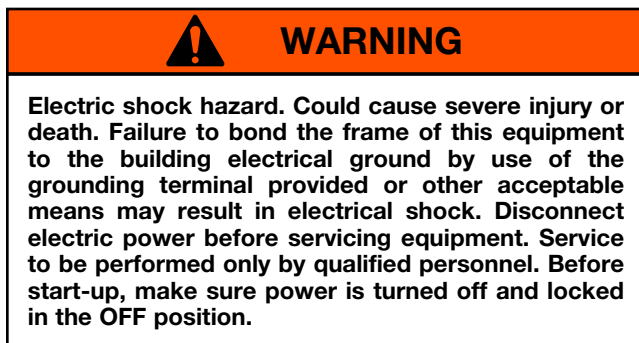
No warranty made hereunder shall extend to any seller product whose serial number is altered, effaced or removed. Seller makes no warranty, express or implied, with respect to motors, switches, controls, or other components of seller's product, where such components are warranted separately by their respective manufacturers. THIS WARRANTY IS EXPRESSLY IN LIEU OF ALL OTHER WARRANTIES, EXPRESS OR IMPLIED, WHETHER STATUTORY OR OTHERWISE, INCLUDING ANY IMPLIED WARRANTY OF MERCHANTABILITY OR FITNESS FOR A PARTICULAR PURPOSE. In no event shall seller be liable to buyer for indirect, incidental collateral, or consequential damages of any kind. (BUYER'S FAILURE TO PAY THE FULL AMOUNT DUE WITHIN SIXTY (60) DAYS OF DATE OF INVOICE SHALL OPERATE TO RELEASE SELLER FROM ANY AND ALL LIABILITY OR OBLIGATION ARISING PURSUANT TO ANY WARRANTY, EXPRESS OR IMPLIED, WHETHER STATUTORY OR OTHERWISE, INCLUDING ANY IMPLIED WARRANTY OR MERCHANTABILITY OR FITNESS FOR A PARTICULAR PURPOSE, MADE IN CONNECTION WITH ANY CONTRACT FORMED HEREUNDER. BUYER AGREES THAT SUCH FAILURE TO PAY SHALL CONSTITUTE A VOLUNTARY WAIVER OF ANY AND ALL SUCH WARRANTIES ARISING PURSUANT TO SUCH CONTACT.)

Electrical Connection

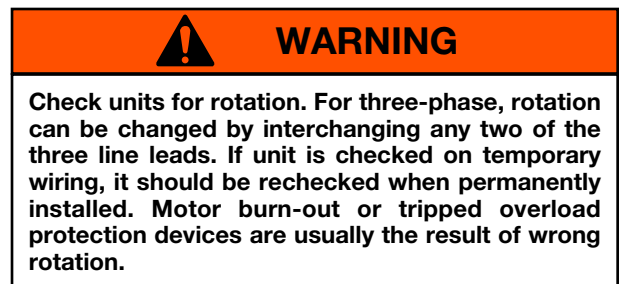
1. Connect supply wiring to a disconnect switch. Check the wiring diagrams on the motor for connections.
2. The motor is factory set at the voltage marked on the fan nameplate. Check the line voltage with the nameplate voltage and wiring diagrams.
3. The main power wiring should be sized for the ampacity shown on the dataplate. Size wires in accordance with the ampacity tables in Article 310 of the National Electrical Code. If long wires are required, it may be necessary to increase wire size to prevent excessive voltage drop. Wires should be sized for a maximum of 3% voltage drop.
4. (Optional) Disconnect switches are not fused. The **power leads must be protected** at the point of distribution in accordance with the fan dataplate.
5. On fans without a thermal protector integral to the motor (refer to unit or motor dataplate to determine if protector is present) a separate overload device is required. Refer to Sections 430-32 of the N.E.C. for sizing.
6. All units must be electrically grounded in accordance with local codes or, in the absence of local codes, with the latest edition of the National Electrical Code (ANSI/NFPA 70). **A ground lug is provided as standard in the unit terminal box.** Size grounding conductor in accordance with Table 250-95 of the National Electrical Code. **DO NOT** use the ground lug for connecting a neutral conductor.
7. Supply voltage to the power ventilator should not vary by more than 10% of the value indicated on the unit dataplate. Phase unbalance must not exceed 2%.



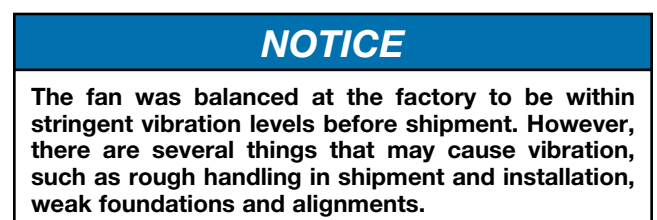
Check, Test & Start Procedure



1. Check to verify that the propeller is free to rotate.
2. Verify that supply voltage on the line side of disconnect agrees with voltage on fan data plate and is within the 10% utilization voltage.
3. Apply power to unit and check rotation of propeller with the directional arrow on the unit.



4. **Electrical Input Check:** Perform check of fan ampere draw and verify that motor nameplate amps are not exceeded. Take into account the service factor range if motor is nameplated above a 1.0 service factor.
5. Fan RPM should be checked and verified with a tachometer.



Speed Control Installation

The controller is designed to start the motor at high speed and will then slow down. This gives the motor good starting characteristics.

Speed control is available using **115/60/1 open** type PSC or shaded pole motors.

Installation

Connect control in series with motor and line voltage (**115V only**). Never connect across line. See Figure 1.

Minimum Speed Setpoint

All controls are factory set to 65V±3V output as standard with an input voltage of 120V. If different minimum speed is desired, the control may be adjusted by turning minimum speed pot clockwise to decrease minimum speed and counterclockwise to increase minimum speed. Refer to Figure 2.

Figure 1. Connection Diagram, Speed Control

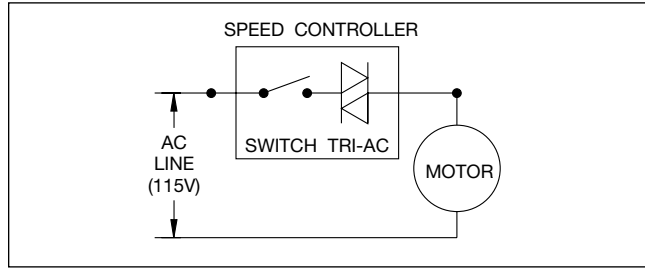


Table 2. Speed Controller RPM Range

HP	RPM	MAX. RPM	MIN. RPM
1/8	1650/1500/1350 ^{2,3}	1650 ⁴ 1500 ⁵	1300 ⁴ 950 ⁵
1/8	860	860	500
1/6			
1/4			
1/2	1140	1140	900
1/6			
1/4			
1	1725	1725	1200
1/3			
3/4			

NOTES:

- Speed control available **only** with 115/60/1 open motors (thermally protected).
- Three-speed motor (multiple tap winding).
- Speed control **should not** be connected to low speed tap on motor because of starting characteristics.
- Speed control connected to high speed tap on motor.
- Speed control connected to medium speed tap on motor.

⚠ WARNING

If minimum speed is readjusted, verify unit ampere draw does not exceed motor nameplate amps. Do not operate unit in range where amp draw exceeds motor nameplate.

⚠ CAUTION

These motors operate more efficiently in the ranges set from the factory. Operating motor outside these ranges (see Table 2) may cause motor to run hotter and substantially shorten motor life.

NOTICE

Lowering the minimum speed setpoint may adversely affect motor start-up characteristics.

⚠ WARNING

Certain failure modes of solid-state controls such as half-waving can cause high levels of DC, motor overheating and motor burn-out. Therefore, a thermal overload protection (integral with motor) is required to limit the maximum motor temperature under such a failure.

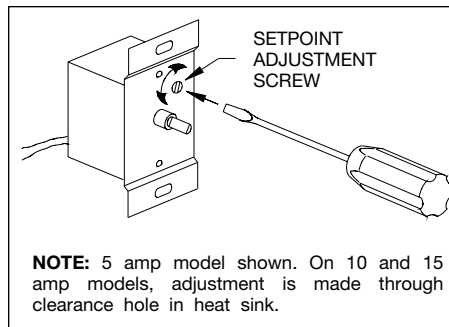
NOTICE

Do not allow any sleeve bearing motor to operate below 500 RPM. Operation below 500 RPM will substantially shorten bearing life.

Table 1. Speed Controller Size

MOTOR			SPEED CONTROLLER DESIGNATION / FLA		
HP	RPM	VOLTAGE	KBWC-15K 5 AMP	KBWC-110 10 AMP	KBWC-115 15 AMP
1/8	1650/1500/1350	115V	X		
1/8	860	115V	X		
1/6	860	115V	X		
1/4	860	115V	X		
1/2	860	115V		X	
1/6	1140	115V	X		
1/4	1140	115V	X		
1/2	1140	115V		X	
1	1140	115V			X
1/3	1725	115V		X	
1/2	1725	115V		X	
3/4	1725	115V			X

Figure 2. Low End Setpoint Adjustment



NOTE: 5 amp model shown. On 10 and 15 amp models, adjustment is made through clearance hole in heat sink.

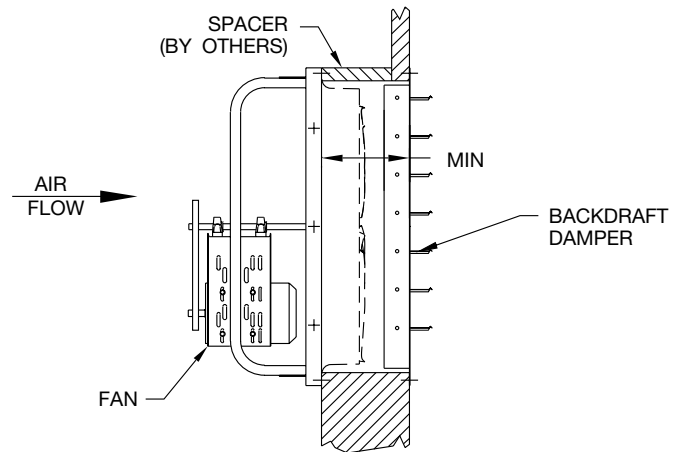
Panel Installation (without accessories) — BSBP & BSDDP

WALL OPENING REQUIREMENTS

Wall opening size and the distance between propeller and damper are two important dimensions for fan installation. Fans mounted to the wall require a different wall opening size than those mounted in collars or wall boxes. Propeller-to-damper distance (M) is important to reduce turbulence at the damper which may lead to premature failure, and to prevent the propeller blades from hitting the actuator on motorized damper units. Use general installation procedure from page 4.

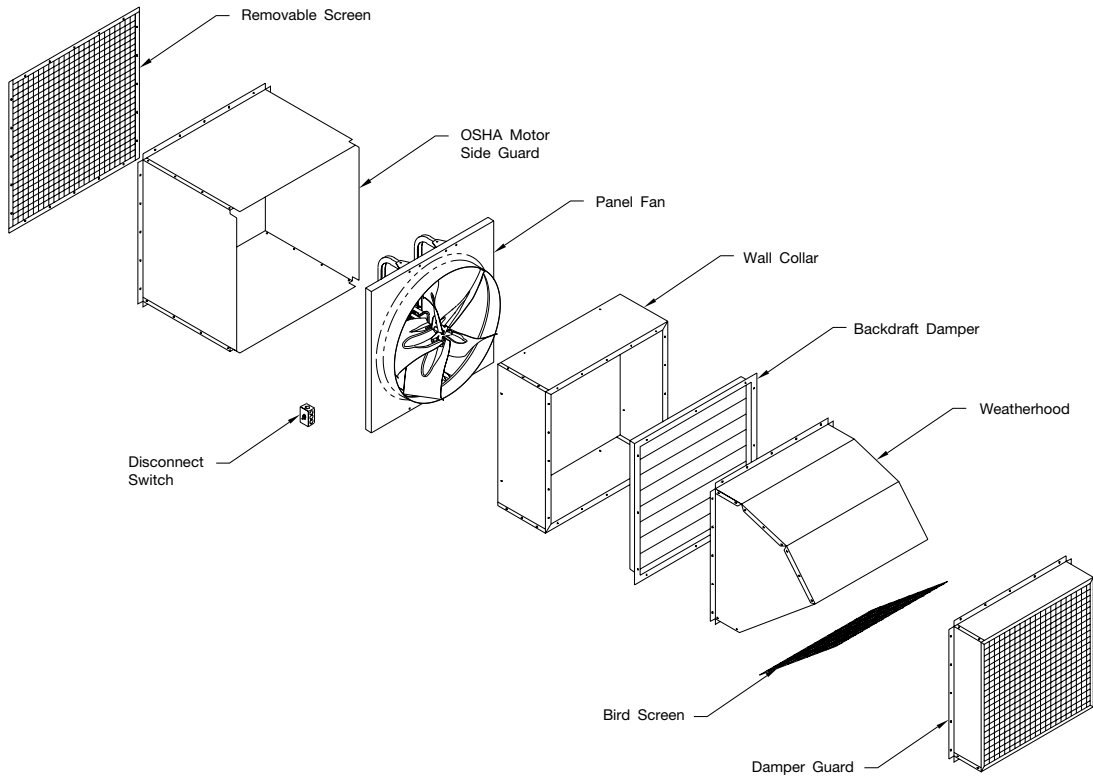
To achieve the minimum 'M' dimension, this installation requires a spacer (by others) between the fan and the wall.

If the wall is equal to or greater than the minimum 'M' dimension, the fan can be mounted directly to the wall.

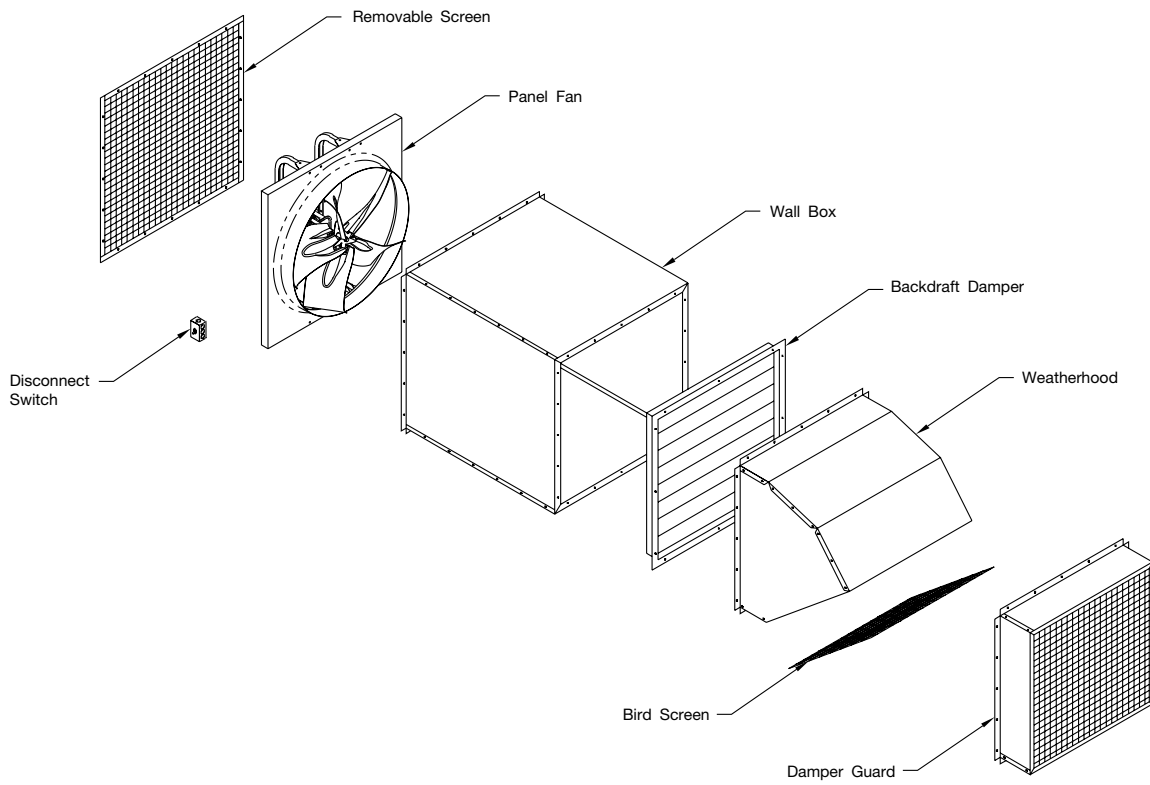


PROP SIZE	PANEL SQ.		WALL OPENING (MIN.)				DAMPER SIZE		'M' (MIN.)
			SURFACE MOUNT		RECESS (IN WALL)				
	BSBP	BSDDP	BSBP	BSDDP	BSBP	BSDDP	BSBP	BSDDP	
14	--	17.00	--	14.50	--	17.50	--	14 x 14	16.00
16	--	20.00	--	17.50	--	20.50	--	17 x 17	
18	--	22.00	--	19.50	--	22.50	--	19 x 19	
21	25.00	25.00	22.50	22.50	25.50	25.50	22 x 22	22 x 22	16.00
24	28.00	28.00	25.50	25.50	28.50	28.50	25 x 25	25 x 25	
30	36.00	36.00	33.50	33.50	36.50	36.50	33 x 33	33 x 33	
36	42.00	42.00	39.50	39.50	42.50	42.50	39 x 39	39 x 39	16.00
42	48.00	48.00	45.50	45.50	48.50	48.50	45 x 45	45 x 45	
48	54.00	54.00	51.50	51.50	54.50	54.50	51 x 51	51 x 51	
54	60.00	--	57.50	--	60.50	--	57 x 57	--	19.00
60	66.00	--	63.50	--	66.50	--	63 x 63	--	

WALL COLLAR WITH ACCESSORIES — BSBP, BSDDP

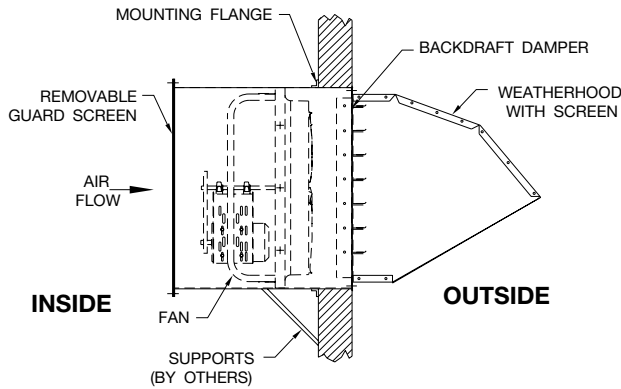


WALL BOX WITH ACCESSORIES — BSBP, BSDDP

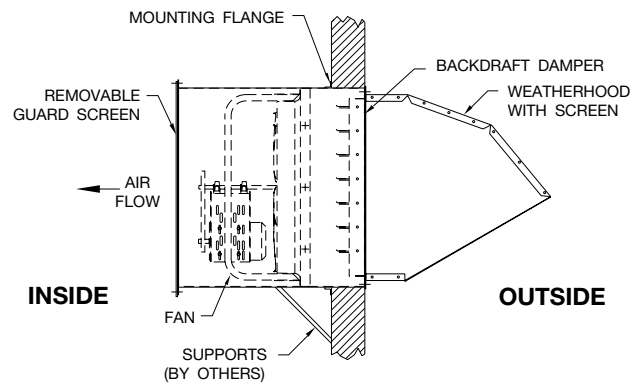


Mounting Arrangements — With Wall Collar or Wall Box

Flush with Outside Wall

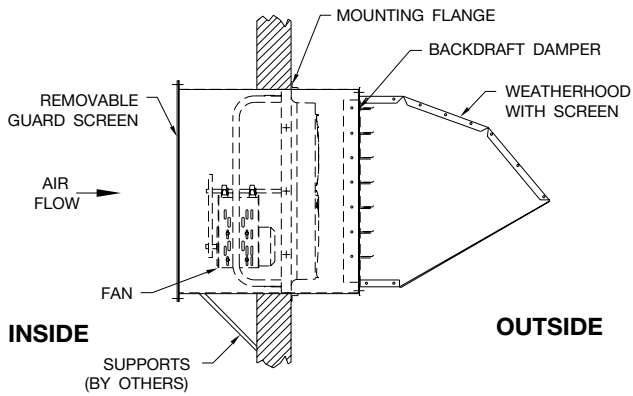


Exhaust

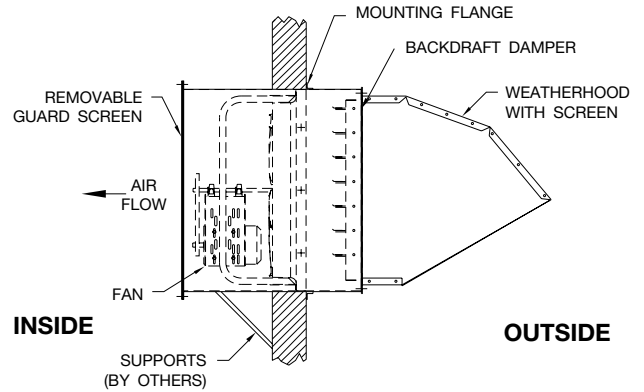


Supply

Middle of Wall

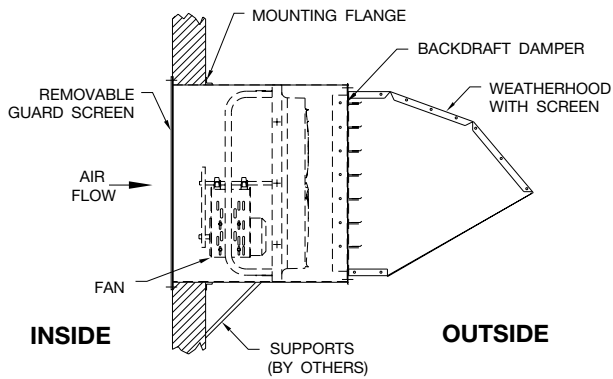


Exhaust

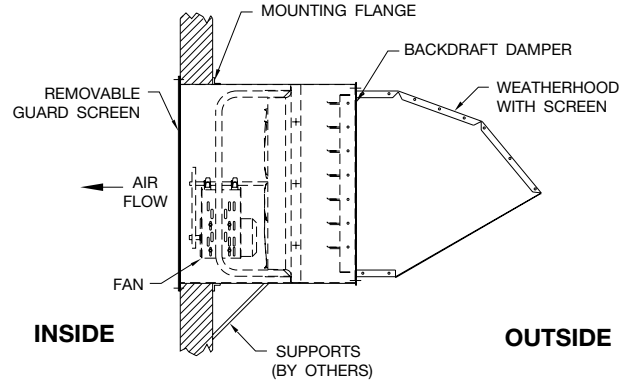


Supply

Flush with Interior Wall



Exhaust



Supply

Wall Collar, Wall Box Housings

The wall collar and wall box are intended to give the panel fan an easy way to adapt other accessories for a completed unit. They are set up to accept a panel fan, damper, and weatherhood or a damper guard screen. All holes are predrilled for the fan and accessories to help make the installation easy.

Wall Collar Installation

1. If the collar is ordered as a field assembly, assemble it first by following the directions provided with the kit.
2. When roughing in the frame make the inside dimension $\frac{1}{2}$ " to $\frac{3}{4}$ " larger than the outside dimension of the collar. This will give the collar enough clearance so that it will install easily.
3. Predrill holes into the collar wherever it is decided that it can be fastened to the roughed-in frame. The wall collar can be fastened to a roughed-in frame with lag screws through holes that need to be drilled into the collar. It is recommended that two lag screws per collar side be used to fasten it to the frame and that the bent edge of the collar is flush with the outside wall.
4. If power is coming into the unit from within the wall a $\frac{3}{4}$ " to 1" hole may also have to be drilled for the power wire to enter the collar. Be sure the metal edges of the hole are protected so the wire will not get cut.
5. If a damper, weatherhood or damper guard screen are being used, they can be fastened to the collar before the collar is fastened to the frame.
6. Make sure the edges around the collar and frame are sealed after it is installed.

The **wall box** is installed in the same way.

SIZE	COLLAR/WALL BOX SQ.		WALL OPENING	
	BSBP	BSDDP	BSBP	BSDDP
14	--	17.25	--	18.00
16	--	20.25	--	21.00
18	--	22.25	--	23.00
21	25.25	25.25	26.00	26.00
24	28.25	28.25	29.00	29.00
30	36.25	36.25	37.00	37.00
36	42.25	42.25	43.00	43.00
42	48.25	48.25	49.00	49.00
48	54.25	54.25	55.00	55.00
54	60.25	--	61.00	--
60	66.25	--	67.00	--

Weatherhood and Damper Guard Screen


The weatherhood and damper guard screen are both items designed to help protect the damper from damage and keep birds and other things from entering the building. The weatherhood will help deflect the outside elements from entering into the building through the fan. It also helps protect the damper from being inappropriately operated by the wind.


Weatherhood/Damper Guard Screen Installation

1. If mounting the damper guard screen or weatherhood onto a wall collar place it over the damper and use the self-tapping screws provided with the collar to fasten it through the predrilled holes in the collar's bent edge.
2. Make sure any undesired gaps are sealed to keep the elements from leaking into the building.

Maintenance

Installation and maintenance are to be performed only by qualified personnel who are familiar with local codes and regulations and experienced with this type of equipment.

 <b style="font-size: 1.2em;">CAUTION
<p>Sharp edges and screws are a potential injury hazard. Avoid them.</p>

 <b style="font-size: 1.2em;">WARNING
<p>Hazardous moving parts. Unit may contain protected fan motor which may start automatically and cause injury. Allow time for reset. Disconnect power before servicing.</p>

Preventive maintenance is the best way to avoid unnecessary expense and inconvenience. Start-up and routine maintenance should cover the following items:

- a. Tighten all setscrews, bolts and wire connections.
- b. Check belt tension and sheaves for wear.
- c. Lubricate fan bearings (see Tables 3 and 4).
- d. Cleaning of unit, propeller and damper (if present).


All motors containing ball bearings are permanently lubricated from the factory. No additional maintenance is required.

1. Before performing any maintenance on the fan, be sure power is turned off and locked in the OFF position at the service entrance.
2. Ventilators should be carefully checked at least once a year. For critical or rugged applications, a routine check every two or three months is suggested.
3. All motors supplied with Aerovent ventilators carry a one-year limited warranty from date of shipment. For repairs within the warranty period, the motor must be taken to the motor manufacturer's authorized service dealer. Contact your representative for additional warranty details.
4. A periodic motor check should consist of spinning the motor shaft with the power off to be sure the motor turns freely and the bearings run smoothly. The belt on belt driven units should be removed from the motor sheave.
5. When removing or installing a belt, do not force the belt over the sheave. Loosen the motor mount so that the belt can be easily slipped over the sheave.
6. The belt on belt driven units should be removed and carefully checked for glazing, cracks, ply separation or irregular wear. A small irregularity in the contact surface of the belt will result in noisy operation. If any of these defects are apparent, the belt should be replaced. Check the sheaves also for chipping, dents or rough surfaces which could damage the belt.
7. The correct belt tension is important. Too tight of a belt will result in excess bearing pressure on the motor bearings and shaft pillow blocks and may also overload the motor. Too loose of a belt will result in slippage which will quickly "burn" out belts. A belt should feel "live" when thumped, approximately 1/4" belt deflection (3 to 5 lb.) when subject to finger pressure at midpoint between sheaves.
8. The belt alignment should also be checked to be sure the belt is running perpendicularly to the rotating shafts. Fan and motor shafts must be

parallel. Improper alignment will result in excessive belt wear.

9. Check sheave setscrews to ensure tightness. Proper keys must be in keyways.
10. Do not readjust blade pitch or fan RPM. If sheaves are replaced, use only sheaves of identical size and type.
11. If unit is to be left idle for an extended period, it is recommended that belts be removed and stored in a cool, dry place to avoid premature belt failure.
12. The standard pillow block bearings on belt driven ventilators are factory lubricated and are provided with external grease fittings. Annual lubrication is recommended, or more frequently if needed (see Table 3).

It is recommended to add fresh grease at start-up, but do not over-grease. Use only 1 or 2 shots of a recommended lubricant with a hand gun in most cases (see Table 4). Maximum hand gun rating 40 P.S.I. Rotate bearings during lubrication where good safety practice permits.

 <b style="font-size: 1.2em;">CAUTION
<p>Greases of different soap bases (lithium, sodium, etc.) may not be compatible when mixed. Prevent such intermixing by completely purging the bearing of old greases.</p>

The most frequent causes of bearing failure are not greasing often enough, using an excessive quantity of grease or using incompatible greases. Excessive vibration, especially if the bearing is not rotating, will also cause bearings to fail. Bearings must also be protected from water and moisture to avoid internal corrosion.

13. During the first few months of operation it is recommended that the bearing setscrews be checked periodically to ensure that they are tight.
14. The rotating propeller requires particular attention since materials in the air being handled can build up on the blades to cause destructive vibration or weaken the structure of the propeller by corroding and/or eroding the blade metal. Regular inspection and corrective action at intervals determined by the severity of each application are essential to good service life and safety.

Table 3. Suggested Fan Bearing Greasing Intervals

INTERVAL (MONTHS)	TYPE OF SERVICE
12 to 18	Infrequent operation or light duty in clean atmosphere
6 to 12	8 to 16 hrs./day in clean, relatively dry atmosphere
3 to 6	12 to 24 hrs./day, heavy duty, or if moisture is present
1 to 3	Heavy duty in dirty, dusty locations; high ambient temperatures; moisture laden atmosphere; vibration

Table 4. Grease Manufacturers

MANUFACTURER	GREASE (NLGI #2)
Shell	Gadus S2 V100 2
Exxon/Mobil	Ronex MP

Bearing Replacement

Fan bearings on belt driven fans should not need to be replaced for many years if the previous recommendations are strictly adhered to. However, use the following procedure when bearing replacement is necessary.

1. Gain access to the fan bearings. Remove the bearing cover, if any.
2. Loosen the belts by shifting the motor.
3. Remove the propeller and disconnect the remote lubrication tubes (if applicable).
4. Measure the location of the bearing to the propeller end of the shaft and the bearing spacing.
5. Remove the shaft and bearing assembly. Note the position of the bearings' shims (if applicable).
6. Loosen all bearing/shaft setscrews or other locking devices.
7. Remove bearings (may need to be pressed off the shaft).
8. Polish the shaft with fine emery paper (240 grit or finer) and file the setscrew dimples left on the shaft flat.
9. Install new bearings on the shaft, making sure that the collars are together (i.e. facing each other on the shaft). Lightly seat one setscrew or eccentric locking collar on each bearing to hold in the approximate marked position.
10. Mount the shaft/bearing assembly in the fan with bolts. Do not tighten yet. Just snug up. Loosen the setscrew.
11. Center the shaft in the housing (both ends) as closely as possible. (The fan propeller may need to be temporarily installed to get its clearances equal.)
12. Tighten the bearing mounting bolts.
13. Reinstall the lube tubes (if applicable).
14. Install propeller and belts and adjust the motor to get proper belt tension. Also, make sure that the sheaves are properly aligned.
15. If a new shaft is supplied, ignore items 6 thru 8.

Motors

Aerovent recommends periodic checks of voltage, frequency and current of a motor while in operation. Such checks assure the correctness of frequency and voltage applied to the motor, and yield an indication of the fan load. Comparison of this data with previous data will give an indication of the fan performance. Any serious deviations could indicate a potential motor failure.

All motors have prelubricated sealed bearings and are lubricated for the life of the motor.

1. All motors carry a one-year limited warranty from date of shipment. For repairs within the warranty period, the motor must be taken to the motor manufacturer's authorized service dealer. Contact your representative for additional warranty details.

2. A periodic motor check should consist of spinning the motor shaft with the power off to be sure the motor turns freely and the bearings run smoothly. The belt on belt driven units should be removed from the motor pulley.

Repair or replacement of motors is normally performed by a repair station authorized by the manufacturer. Contact your representative or the factory for locations nearest you. DO NOT ship motor to the factory without specific authorization forms.

V-Belts

V-belts on these belt driven fans are oil, heat, and static resistant type and oversized for continuous duty. With proper installation and maintenance, years of operating efficiency can be added to the lifespan of the V-belt drive.

The condition of V-belts and the amount of belt tension should be checked prior to start-up (see Figure 5). When it becomes necessary to adjust belt tension, do not over-tension as bearing damage will occur. Recommended belt tension should permit $\frac{1}{64}$ " deflection per inch of span of the belt at the center of the belt span. To find this point, measure halfway between the pulley centerlines as shown in Figure 6. Extreme care must be exercised when adjusting V-belts as not to misalign the pulleys. Any misalignment will cause a sharp reduction in belt life and will also produce squeaky, annoying noises (see Figure 7). On units equipped with 2 groove pulleys, adjustments must be made so that there is equal tension on all belts (see Figure 9).

1. Where tensioning rods are not available, adjustment is more easily obtained by loosening and adjusting one side of the motor bracket at a time.
2. Always loosen tension adjustment enough to place belts on sheaves without running belts over the edge of either sheave. A new belt may be seriously damaged internally by careless handling (see Figure 8).

WARNING

When removing or installing belts, never force belts over pulleys without loosening motor first to relieve belt tension.

3. Fan speed can be increased by closing the adjustable motor pulley, or decreased by opening it. Two and three groove adjustable pitch pulleys must be adjusted an equal number of turns. (See Figure 9). Always check load on motor when increasing fan speed.

Figure 5. Eliminate Slack

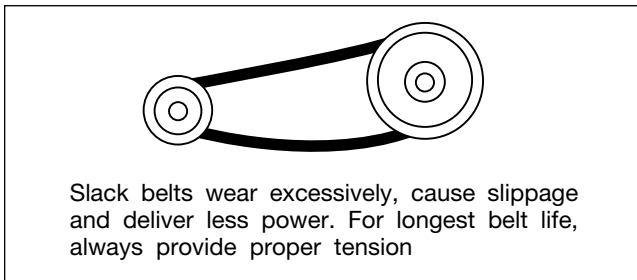


Figure 6. Belt Deflection

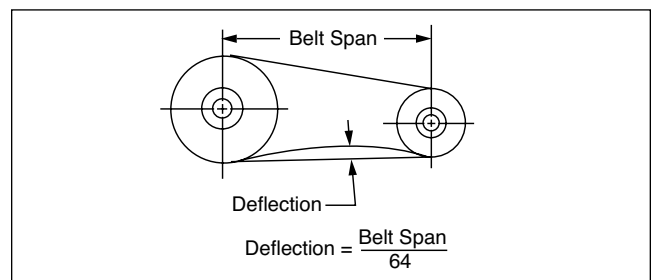
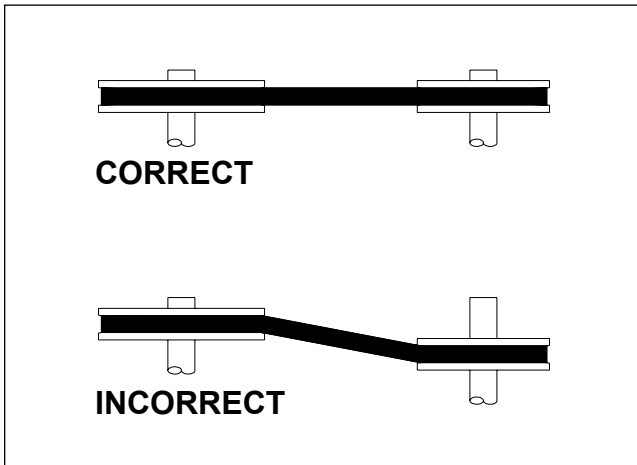


Figure 7. Alignment



Mount belts straight. Shafts must be parallel and sheaves in alignment to prevent unnecessary belt wear.

Figure 8. Belts

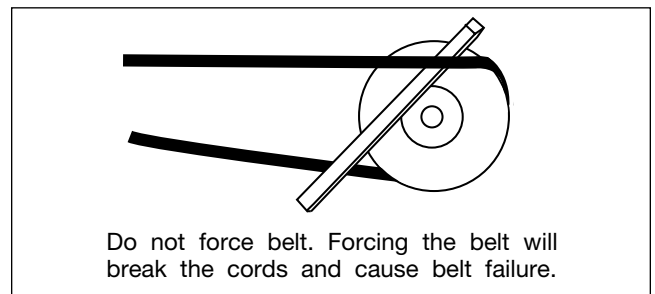
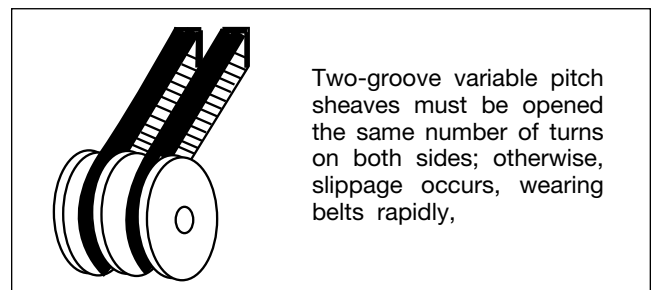


Figure 9. 2-Groove Sheaves



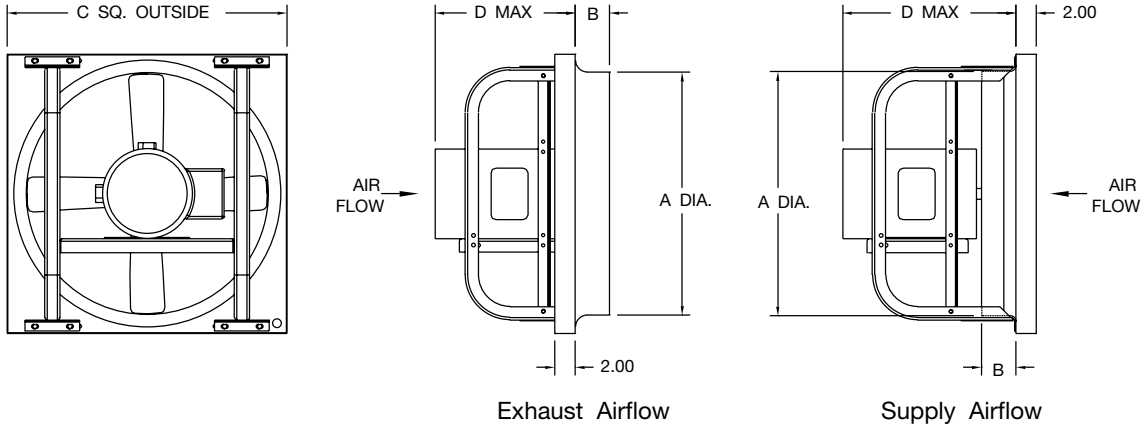
Fan Troubleshooting Chart

PROBLEM	POSSIBLE CAUSES
FAN DOES NOT OPERATE	<ol style="list-style-type: none"> 1. Wrong voltage. 2. Electricity turned off or not wired properly. 3. Tripped overload protector. 4. Blown fuses. 5. Loose pulleys. 6. Broken belts.
TOO LITTLE AIR	<ol style="list-style-type: none"> 1. Propeller rotating in wrong direction. 2. Fan speed lower than design. 3. System is more restrictive (more static pressure) than expected. 4. Restricted fan inlet or outlet. 5. Inlet or outlet screens clogged. 6. Filters, if applicable, are dirty or clogged.
TOO MUCH AIR	<ol style="list-style-type: none"> 1. Fan speed higher than design. 2. System is less restrictive (less static pressure) than expected. 3. Filters, if applicable, not in place.
EXCESSIVE HORSEPOWER	<ol style="list-style-type: none"> 1. Propeller rotating in wrong direction. 2. Propeller rubbing on inlet venturi. 3. Fan speed higher than design. 4. Worn fan bearings.
EXCESSIVE NOISE	<ol style="list-style-type: none"> 1. Propeller or sheaves loose. 2. Bearing or drive misalignment. 3. Accumulation of material on propeller. 4. Worn or corroded propeller. 5. Propeller out of balance. 6. Propeller hitting housing. 7. Bent shaft. 8. Bearings need lubrication. 9. Loose bearing bolts. 10. Loose or worn bearings. 11. Mismatched belts. 12. Belts too loose or too tight. 13. Belts oily or dirty. 14. Belts worn. 15. Loose fan mounting bolts. 16. Rattle of components in high velocity airstream. 17. Electrical noise. 18. Noise from high velocity air system. 19. Vibrating parts not isolated from building. 20. Vibrating ductwork.
EXCESSIVE VIBRATION	<ol style="list-style-type: none"> 1. Propeller or sheaves loose on shaft. 2. Propeller out of balance. 3. Excessive buildup of dirt/dust on propeller. 4. Belts too loose or too tight. 5. Mismatched belts. 6. Bent shaft. 7. Bearing or drive misalignment. 8. Loose or worn bearings. 9. Fan mounting bolts loose. 10. Structures not cross-braced.

It is recommended that the users and installers of this shipment familiarize themselves with AMCA Publication #201, "Fans and Systems" and publication #202, "Troubleshooting" which are published by the Air Movement and Control Association (AMCA), 30 West University Drive, Arlington Heights, Illinois 60004. www.amca.org

Dimensional Data

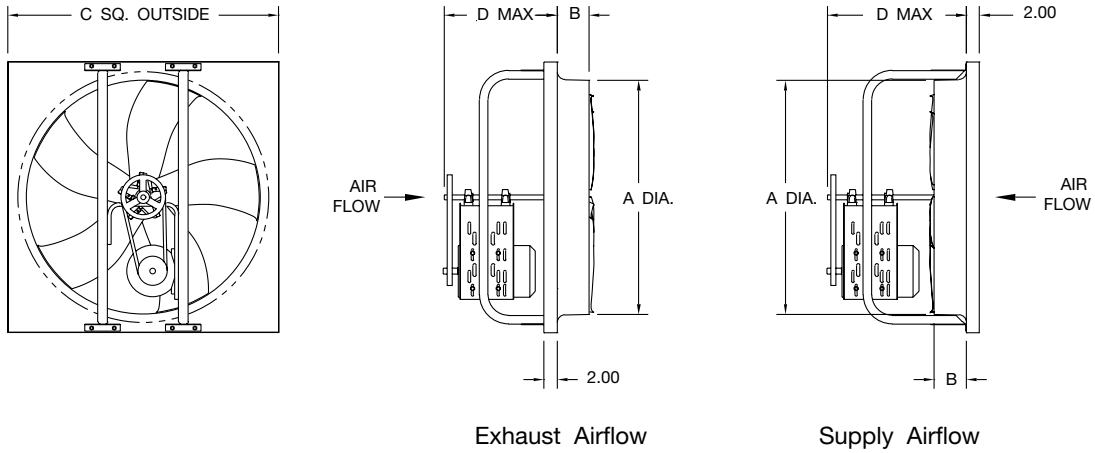
BSDDP – Direct Drive



BSDDP SIZE	A	B	C SQ.	D MAX		DAMPER SIZE	MAX MOTOR FRAME
				EXHAUST	SUPPLY		
14	14.25	2.75	17	11.18	14.88	14 x 14	56
16	16.25	3.00	20	11.18	14.88	17 x 17	56
18	18.25	3.00	22	11.18	14.88	19 x 19	56
21	21.25	3.50	25	14.41	17.36	22 x 22	145T
24	24.25	3.50	28	14.55	17.36	25 x 25	184T
30	30.38	4.00	36	14.74	19.05	33 x 33	184T
36	36.38	5.00	42	15.67	19.93	39 x 39	215T
42	42.38	5.50	48	23.59	30.00	45 x 45	254T
48	48.38	6.00	54	23.59	30.00	51 x 51	254T

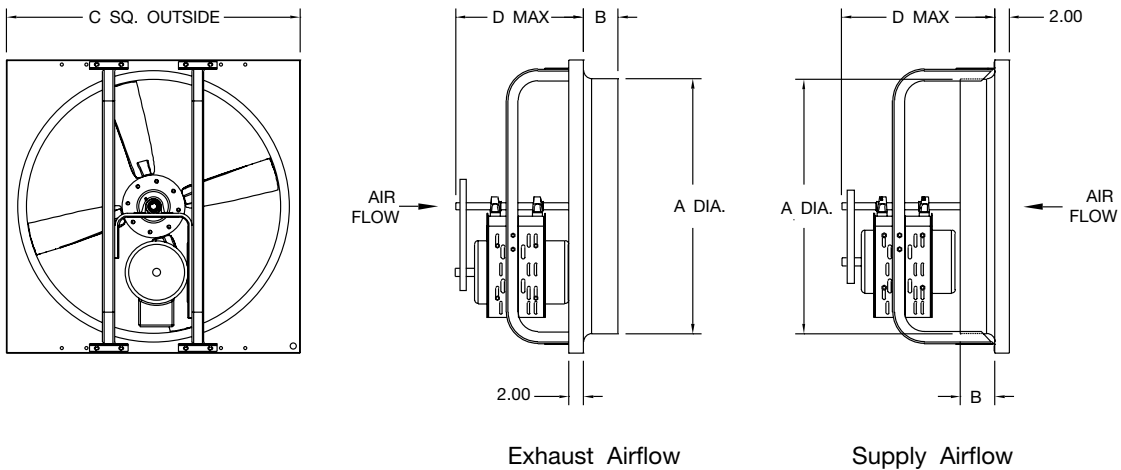
Dimensional Data

BSBP – Belt Driven, Levels 1 & 2



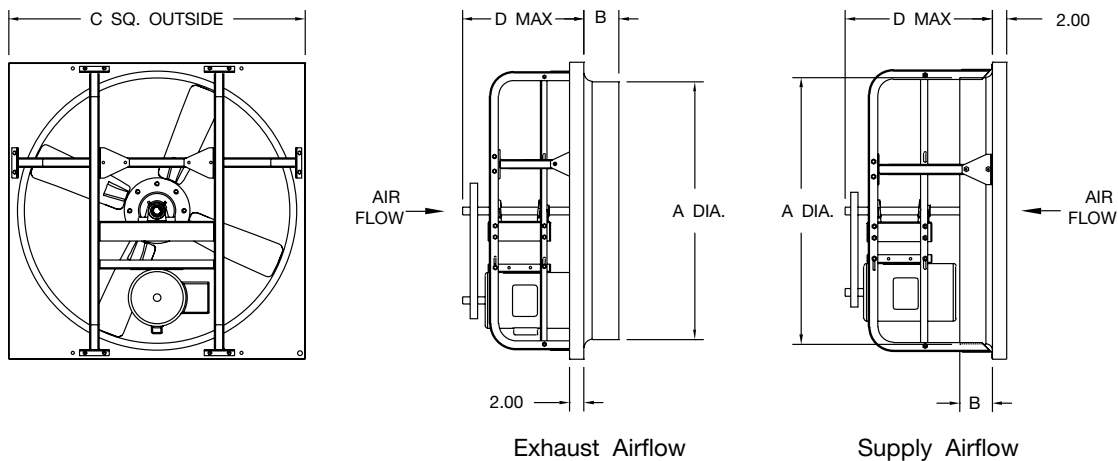
BSBP SIZE	A	B	C SQ.	D MAX				DAMPER SIZE	MAX MOTOR FRAME	
				EXHAUST		SUPPLY			L1	L2
				L1	L2	L1	L2			
21	21.25	3.50	25	15.88	15.88	18.44	18.44	22 x 22	56	145T
24	24.25	3.50	28	16.19	16.19	19.19	19.19	25 x 25	56	145T
30	30.38	4.00	36	17.81	19.31	20.50	22.00	33 x 33	145T	184T
36	36.38	5.00	42	17.50	19.13	21.50	23.13	39 x 39	145T	184T
42	42.38	5.50	48	17.88	19.38	22.19	23.75	45 x 45	145T	184T
48	48.38	6.00	54	18.75	20.13	23.06	24.63	51 x 51	145T	184T
54	54.38	6.50	60	18.88	20.50	23.69	25.19	57 x 57	145T	184T
60	60.38	7.25	66	19.50	24.75	24.44	29.94	63 x 63	145T	215T

BSBP – Belt Driven, Level 3, Sizes 21-36



BSBP SIZE	A	B	C SQ.	D MAX		DAMPER SIZE	MAX MOTOR FRAME
				EXHAUST	SUPPLY		
21	21.25	3.50	25	17.25	20.50	22 x 22	145T
24	24.25	3.50	38	17.25	20.50	25 x 25	145T
30	30.38	4.00	36	18.31	20.93	33 x 33	184T
36	36.38	5.00	42	18.31	21.93	39 x 39	184T

BSBP – Belt Driven, Level 3, Sizes 42-60



BSBP SIZE	A	B	C SQ.	D MAX		DAMPER SIZE	MAX MOTOR FRAME
				EXHAUST	SUPPLY		
42	42.38	5.50	48	21.31	26.75	45 x 45	215T
48	48.38	6.00	54	21.31	26.75	51 x 51	215T
54	54.38	6.50	60	26.13	32.30	57 x 57	254T
60	60.38	7.25	66	26.13	32.30	63 x 63	256T



AEROVENT | WWW.AEROVENT.COM

5959 Trenton Lane N | Minneapolis, MN 55442 | Phone: 763-551-7500 | Fax: 763-551-7501