

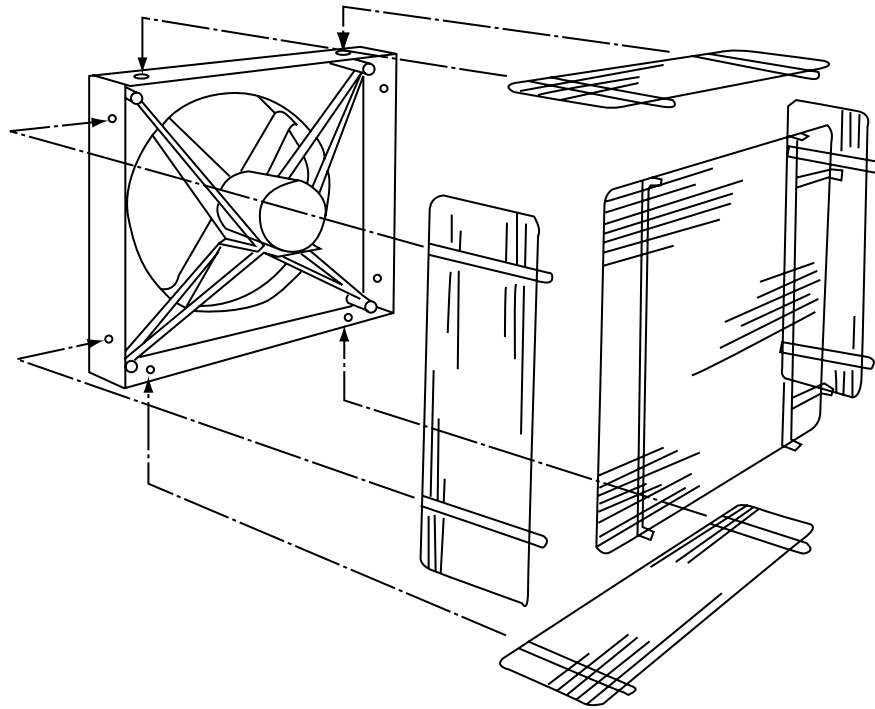


Rear Wire Guard (WWII) For Panel Fans

IM-215

June 1997

General Installation, Operation and Maintenance Instructions For Aerovent Products



PARTS

- (1) Rear Panel
- (4) Side Panels
- (16) or (24) $\frac{5}{16}$ " x 1" Hex Head Capscrews
- (16) or (24) Hex Head Locknuts
- (32) or (48) $\frac{3}{8}$ " I.D. Flat Washers

ASSEMBLY

1. Bolt three sides of guard to rear panel using $\frac{5}{16}$ " capscrews, nuts and flat washers.
2. Bolt partially assembled guard to panel fan using capscrews, nuts and flat washers.
3. Arrange for electrical hook-up to fan motor. Two methods may be used:
 - a. Drill hole in fan panel and route wire or conduit through opening.
 - OR –
 - b. Bend or cut side panel wire guard and route wire or conduit through opening.
4. Assemble fourth side to guard and panel, sliding along conduit or wiring if routing through guard.
5. Securely tighten all locknuts.



AEROVENT | WWW.AEROVENT.COM

5959 Trenton Lane N | Minneapolis, MN 55442 | Phone: 763-551-7500 | Fax: 763-551-7501