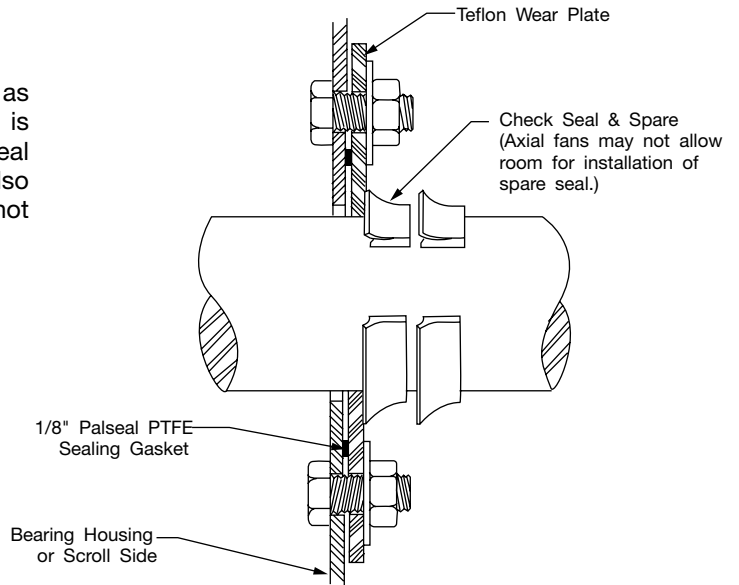


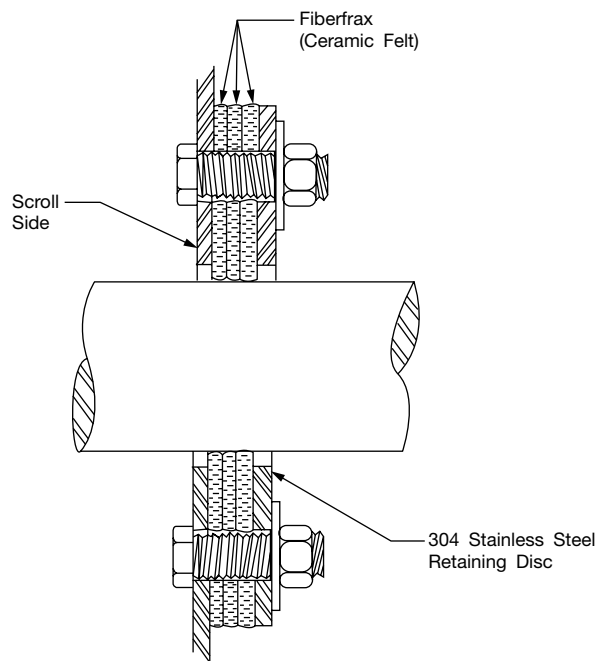
Standard Shaft Seal

A Viton shaft seal can be added to the housing as an option and should be specified when the fan is used for handling dirty, wet or corrosive air. This seal is suitable for operation up to 300°F. It should also be noted that this seal minimizes leakage; it does not make the installation gas tight.



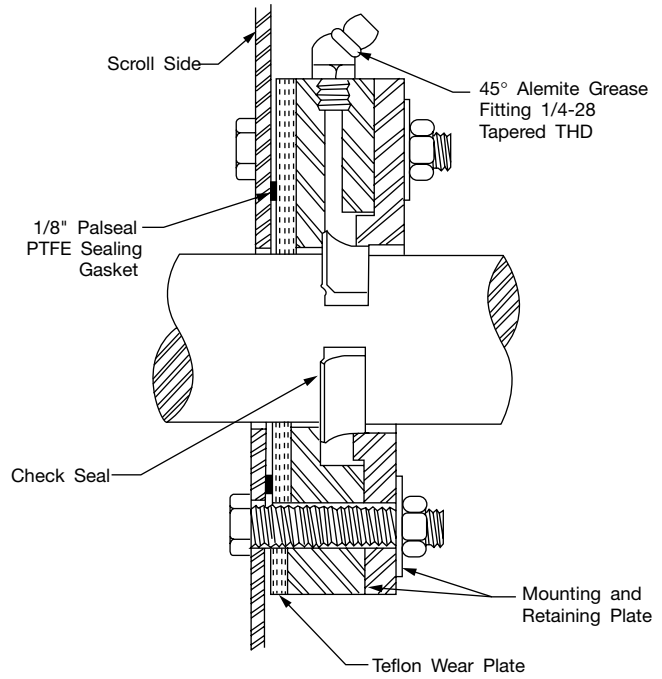
Standard High Temperature Seal

This seal is suitable for operation up to 600°F; however, like the standard seal, it is designed to limit gas leakage but is not gas tight.



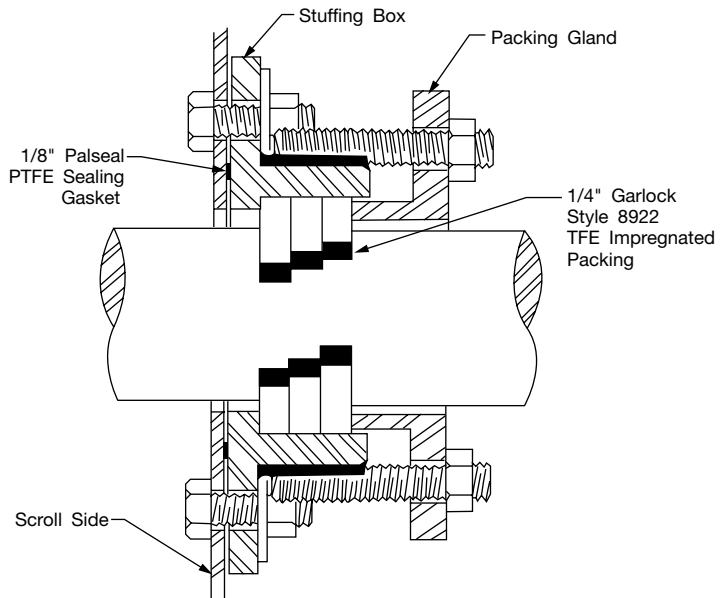
Lubricated Shaft Seal

For longer seal life. While not gas tight, this seal will minimize leakage and operate in temperatures up to 300°F.



Stuffing Box Shaft Seal

Designed for an operating temperature of up to 500°F. A higher temperature packing is available if specified. Three rows of permanently lubricated packing are used. This type of arrangement will provide the best seal against gas leakage, but is not totally gas tight.



AEROVENT | WWW.AEROVENT.COM

5959 Trenton Lane N | Minneapolis, MN 55442 | Phone: 763-551-7500 | Fax: 763-551-7501