

Automatic

Automatic shutters are constructed with galvanized steel frames and drilled for ease of installation. Aluminum felt-edged blades open from fan pressure and close automatically when fan is off. All aluminum construction is available as an option.

Motor-Operated, End-Pivoted

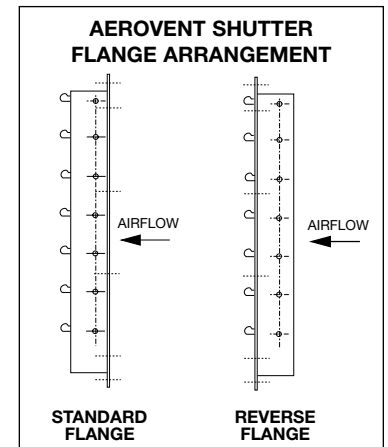
Used for exhaust only. Constructed of galvanized steel frames and aluminum felt-edged blades. Flanges are drilled for ease of installation. Motor-operated units are furnished with electric actuators. These actuators are not equipped with end switches. All aluminum construction is available as an option.

Motor-Operated, Center-Pivoted

Can be used in either supply or exhaust applications. Constructed of galvanized steel frames and blades with stainless steel jamb seals. Blades are held in place with oil-impregnated bronze bushings. Motor-operated units are supplied with electric actuators that are furnished with end switches.

Manually-Operated

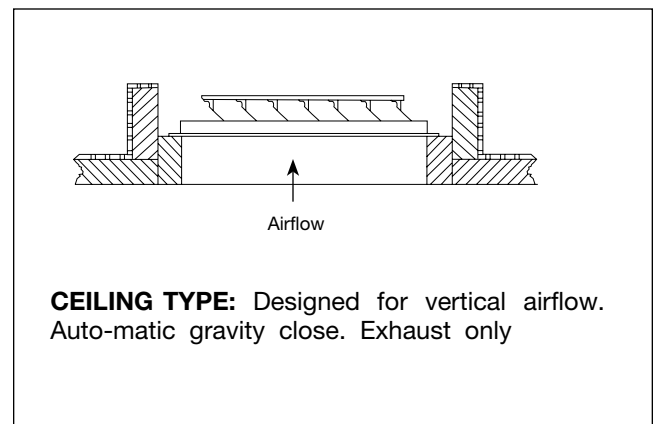
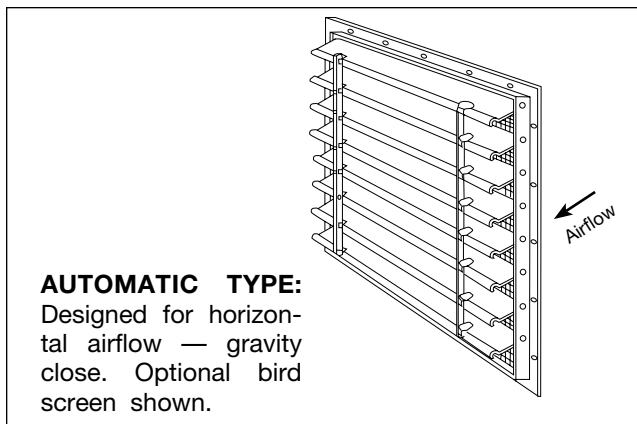
Manually-operated shutters are of the same rugged construction as the automatic shutter. This shutter is supplied with a six-foot pull chain connected through a pulley on the inside of the shutter. Spring arrangement holds louver tightly closed when unit is not in use. All aluminum construction is available as an option.

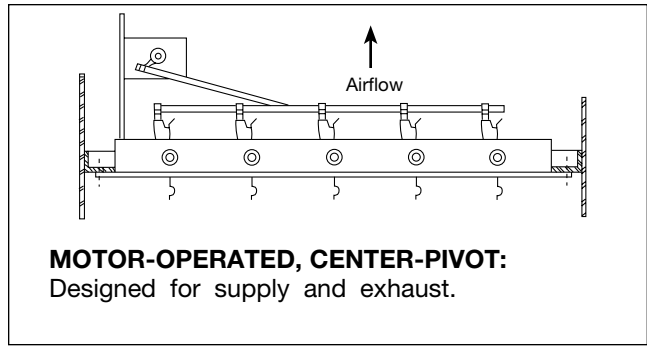
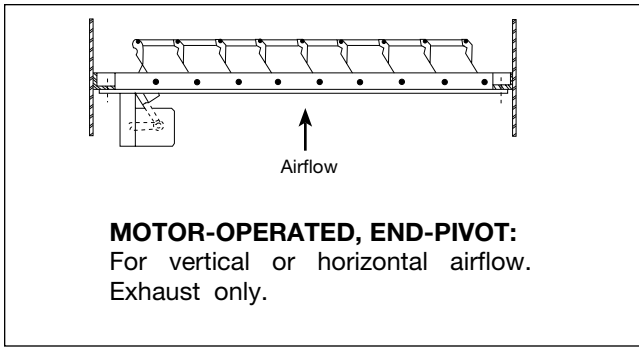


Extra Heavy-Duty

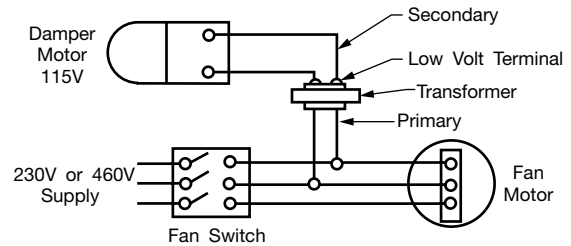
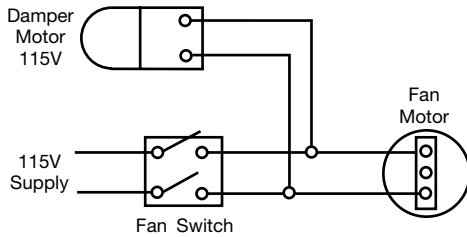
Extra heavy-duty shutters are recommended where discharge velocity exceeds 2400 FPM or where velocity is low and excessive fluttering action is a concern. All extra heavy-duty shutters have 16-gauge aluminum blades. Can be provided as automatic, manual or motorized operation.

Typical Shutter Installations





Shutter Motor



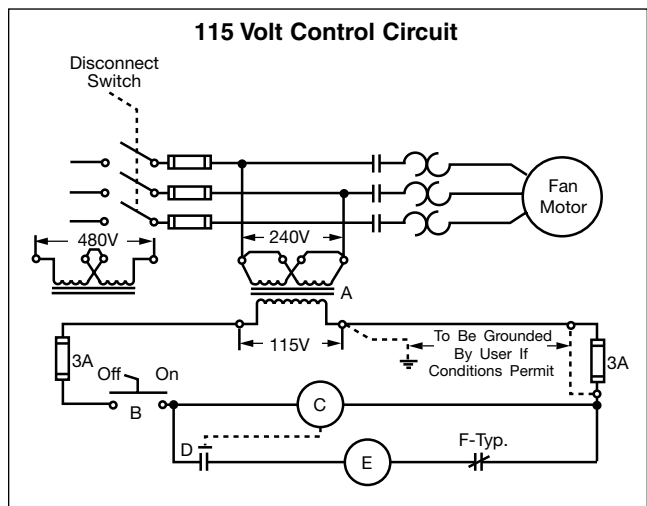
End Switch For Motor Operated Shutter

Motor operated shutters used in air-handling systems should be wired to allow the shutter to open before the fan is started. A shutter end switch should be mounted in the fan starter circuit. The shutter end switch may be one of two types:

1. **LEVER OR LINKAGE ACTUATED:** Allen Bradley 802TAW1 or equal. Mount switch to be actuated by shutter linkage or shutter leaf when shutter is approximately 80% to 90% open.
2. **MOTOR MOUNTED AUXILIARY SWITCH:** Switch mounts on side of motor opposite shutter linkage and is actuated by shaft. Set so cam actuates switch when shutter is 80% to 90% open.

The following end switches can be used on various motors.

- A. Control Transformer (115V Secondary)
- B. On-Off Selector Switch
- C. Shutter Motor (115V)



- D. Shutter End Switch
 - E. Holding Coil — Fan Starter (115V)
 - F. Thermal Overload Contactors
- All shutter motors operated on 115 volts.

END SWITCH	MOTOR
Allen-Bradley 802TAW1 (Not Furnished)	Multi-Products 2027
Built In	Honeywell M4182 (Single Shaft) Honeywell M4185 (Dual Shaft)
Built In	Barber-Colman MA418-500



AEROVENT | WWW.AEROVENT.COM

5959 Trenton Lane N | Minneapolis, MN 55442 | Phone: 763-551-7500 | Fax: 763-551-7501