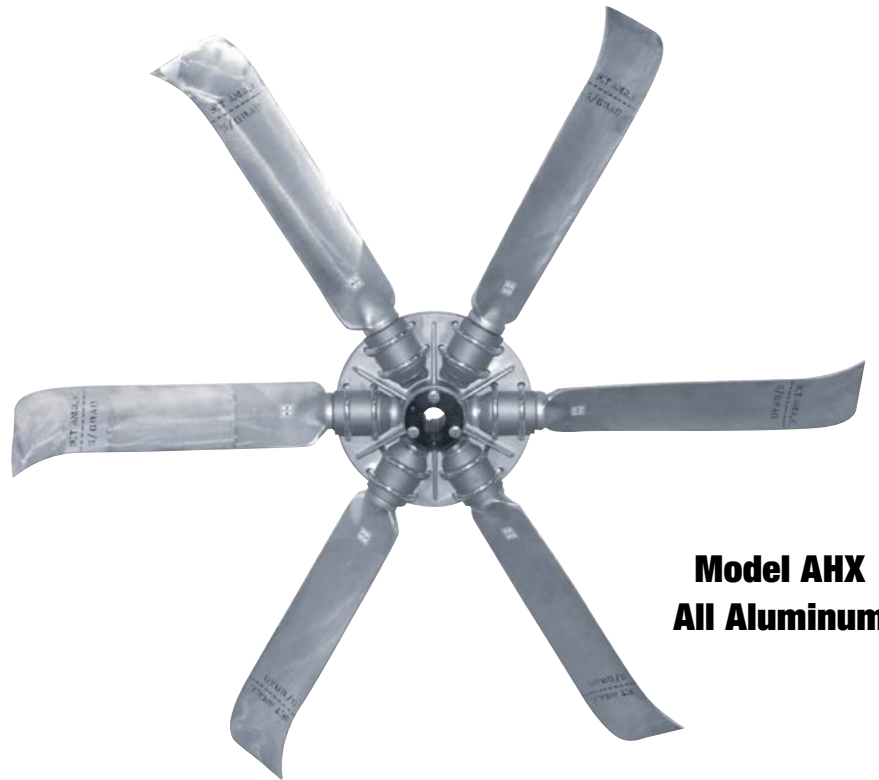


Aerovent®

The Industrial Choice.



**Model AHX
All Aluminum**

LARGE ADJUSTABLE PROPELLERS
Heat Exchangers & Industrial Ventilation

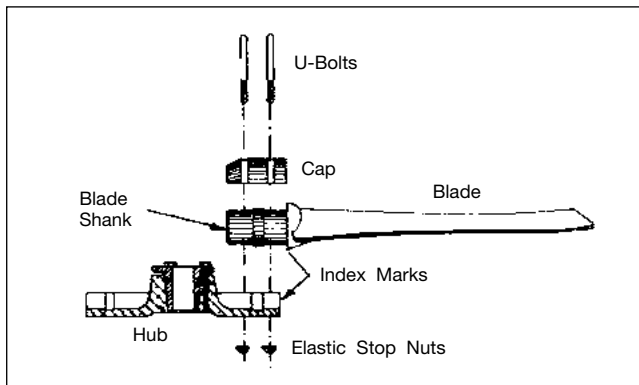
Adjustable Propellers



Fan Assembly

Both hub and blades are made by a precision permanent mold process that produces the highest quality aluminum castings. The blades can be assembled into the hub individually, making erection on the job easy. Each blade shank is easily inserted into the socket and retained in the hub with a cap and two U-bolts, providing accurate assembly and ease for setting of the blade angle. The cast aluminum hub is designed to use standard Browning taper-lock bushings, and mounting to the shaft is simple and positive.

It is usual practice to assemble the propeller and then mount it onto the shaft, but in tight spaces the hub can be mounted first and blades inserted one at a time.



Each blade has an index mark on the root which can be matched with an angle setting scale on the blade socket, providing an adequate method of blade angle setting; however, a land is cast in the blade near the tip where a bubble level protractor may be set and aligned for precision angle settings ($\frac{5}{8}$ radius – “M” blade; $\frac{2}{3}$ radius – “L” blade).

Model AHX

All Aluminum

Model AHX is an all-aluminum propeller with adjustable blades, designed particularly for the heat exchanger industry. They are also used in standard fan configurations — tubeaxial, roof ventilators, and ring and panel fans — for industrial ventilation and process exhaust wherever it is necessary to move large volumes of air.

This Aerovent Macheta[®] fan is available in eleven sizes, in either 4 or 6 blade assemblies, and these can be used at angle settings covering a wide range of performances. Shown in this bulletin, on pages 5 through 18, are the ratings for angle settings from 10° through 24° at tip speeds of 11,000, 12,000, 13,000, 14,000 and 15,000 FPM. Models of these fans have been laboratory tested and the data computerized. Aerovent will furnish, upon request, typical performance curves, or our computer will select the optimum fan for your performance requirement and supply both the curve and a printout of the data.

Propeller Rotation

Most propellers in the AHX line are offered in both right- and left-hand rotation. The rotation of the blades is determined by viewing the propeller from the discharge side. Right hand would be clockwise and left-hand counterclockwise. The discharge side of the blade is concave in shape while the inlet side is convex. The Macheta[®] tip is the trailing edge of the blade.

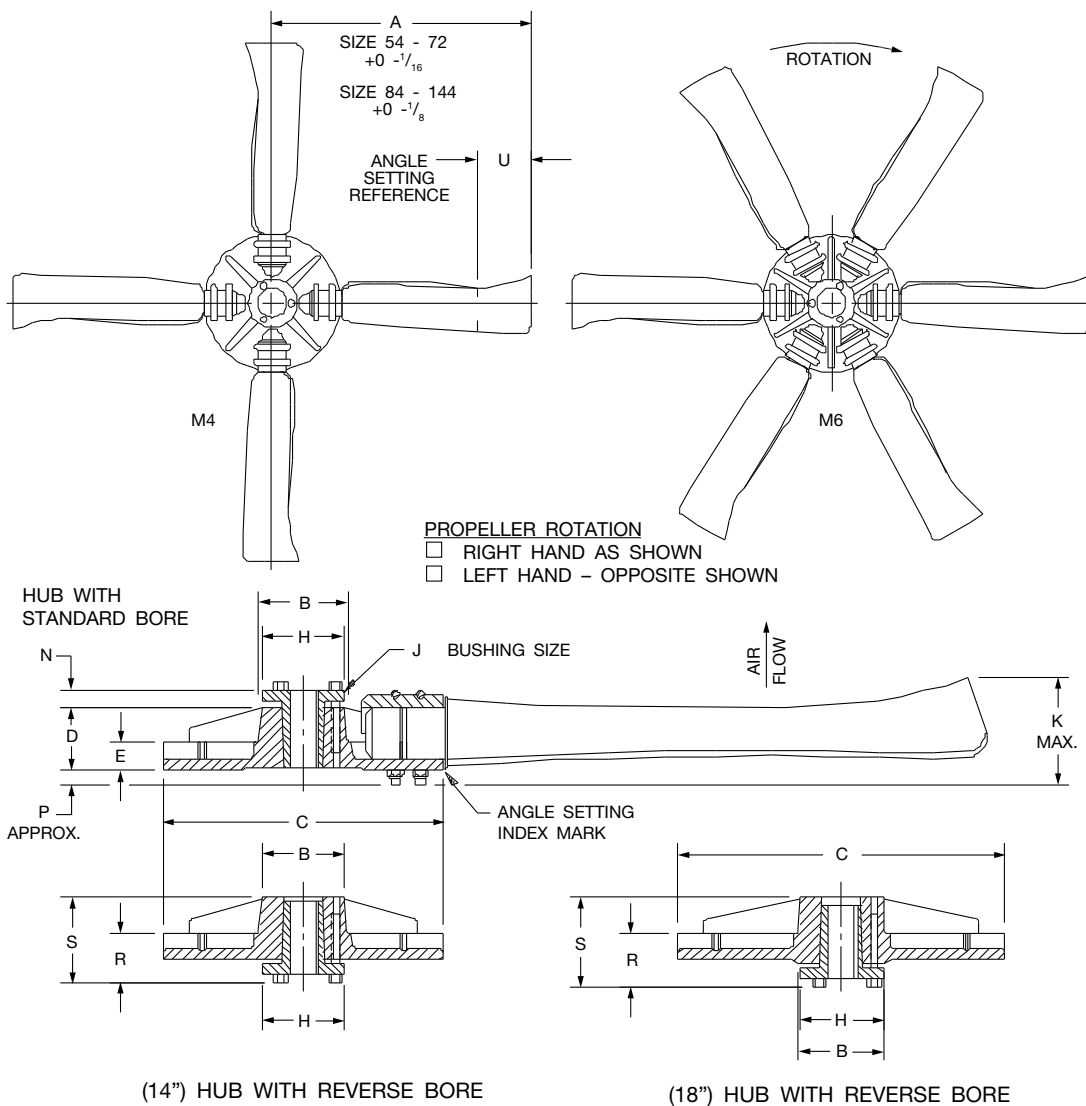


Propeller securely held to drive shaft by means of split taperlock bushings.

Balancing

All AHX adjustable fans are balanced for random assembly. The hub is balanced on a hardened arbor resting between parallel knife edges. Each blade is balanced separately using a machine especially designed for this purpose, which “weighs” the blade at its running radius and compares this to a master balance blade. By this method each blade is statically balanced to a constant moment (weight of the blade times the distance to its center weight). This method assures that a balanced fan can be assembled in the field without the necessity of match marked blades and hub sockets. Opposite blades will always balance each other.

To ensure that the fan will run smoothly, it must have a suitably sized shaft and a rigid support. The angle setting of all blades must be the same, and fan RPM should not coincide with an even multiple or submultiple of the blade natural frequency times 60. See table on page 4.



SIZE	A	B	C	D	E	H	J	K ¹	K ²	N	P	R	S	U ¹	U ²	WT. LBS.	
																4 BLADES	8 BLADES
54	27	4½	14	3	1½	4½	Q2	4½	5	¾	½	2½	3⅞	4½	9	29	36
60	30	4½	14	3	1½	4½	Q2	4¾	5	¾	½	2½	3⅞	5	10	32	43
72	36	4½	14	3	1½	4½	Q2	4¾	6¾	¾	½	2½	3⅞	6	12	59	59
84	42	5¾	18	4	2	5¾	R2	5¾	7¼	⅞	⅝	3¼	5¼	7	14	78	115
96	48	5¾	18	4	2	5¾	R2	5¾	8¾	⅞	⅝	3¼	5¼	8	16	96	176
108	54	5¾	18	4	2	5¾	R2	6½	—	⅞	⅝	3¼	5¼	9	—	122	222
120	60	5¾	18	4	2	5¾	R2	6¾	—	⅞	⅝	3¼	5¼	10	—	160	246
132	66	5¾	18	4	2	5¾	R2	7¼	—	⅞	⅝	3¼	5¼	11	—	225	327
144	72	5¾	18	4	2	5¾	R2	7½	—	⅞	⅝	3¼	5¼	12	—	264	385

R-9183-00A

*Complete assembly (hubs and blades)

¹ Type "M" blade propellers

² Type "L" blade propellers

All dimensions in inches unless otherwise noted.



M4 Blade

FAN DIAMETER (IN.)	AVAILABLE PROPELLER ROTATION	BLADE CASTING	HUB DIAMETER (IN.)	BLADE LENGTH* (IN.)	AVG. BLADE CHORD WIDTH		TOTAL WT. OF BLADES (LB)	TOTAL WT OF ASSY. (LB)	WR ² (LB-FT ²)	BLADE FREQUENCY (HZ)
					"M"	"L"				
54	RIGHT	PMRH54	14	20	4½	7 ⁵ / ₁₆	17	42	22.04	55
	LEFT	PMLH54								
60	RIGHT	PMRH60	14	23	5	8 ¹ / ₈	18	43	33.39	36
	LEFT	PMLH60								
72	RIGHT	PMRH72	14	29	6	9 ³ / ₄	30	55	84.82	31
	LEFT	PMLH72								
81	RIGHT	SC81RH	18	31½	6¾	10 ³¹ / ₃₂	57	106	130.68	29
	LEFT	PMLH81					55	104		
84	RIGHT	PMRH84	18	33	7	11 ³ / ₈	60	108	175.37	28
	LEFT	PMLH84					54	102		
93	RIGHT	SC93RH	18	37½	7¾	12 ³¹ / ₃₂	86	134	275.68	28
	LEFT	SC93LH								
96	RIGHT	PMRH96	18	39	8	13	78	126	338.79	21
	LEFT	PMLH96								
108	RIGHT	SC108RH	18	45	9	—	114	162	527.74	20
	LEFT	PMLH108					98	146		
120	RIGHT	SC120RH	18	51	10	—	148	196	813.69	18
	LEFT	PMLH120					132	180		
132	RIGHT	SC132RH	18	57	11	—	189	237	1388.88	14
	LEFT	PMLH132					170	218		
144	RIGHT	PMRH144	18	63	12	—	236	284	2032.71	13.75
	LEFT	PMLH144					223	271		

M6 Blade

54	RIGHT	PMRH54	14	20	4½	7 ⁵ / ₁₆	26	56	37.68	55
	LEFT	PMLH54								
60	RIGHT	PMRH60	14	23	5	8 ¹ / ₈	28	58	48.75	36
	LEFT	PMLH60								
72	RIGHT	PMRH72	14	29	6	9 ³ / ₄	45	75	125.39	31
	LEFT	PMLH72								
81	RIGHT	SC81RH	18	31½	6¾	10 ³¹ / ₃₂	85	140	191.44	29
	LEFT	PMLH81					83	138		
84	RIGHT	PMRH84	18	33	7	11 ³ / ₈	90	145	256.23	28
	LEFT	PMLH84					83	138		
93	RIGHT	SC93RH	18	37½	7¾	12 ³¹ / ₃₂	130	185	409.31	28
	LEFT	SC93LH								
96	RIGHT	PMRH96	18	39	8	13	118	173	506.26	21
	LEFT	PMLH96								
108	RIGHT	SC108RH	18	45	9	—	172	227	787.35	20
	LEFT	PMLH108					145	200		
120	RIGHT	SC120RH	18	51	10	—	223	278	1224.56	18
	LEFT	PMLH120					196	251		
132	RIGHT	SC132RH	18	57	11	—	284	339	2094.86	14
	LEFT	PMLH132					266	321		
144	RIGHT	PMRH144	18	63	12	—	354	409	3049.22	13.75
	LEFT	PMLH144					335	390		

L4 Blade

54	RIGHT	SCLS54RH	14	20	4½	7 ⁵ / ₁₆	28	53	38.51	63
60	RIGHT	SCLS60RH	14	23	5	8 ¹ / ₈	39	64	115.57	40
	LEFT	SCLS60LH								
72	RIGHT	SCLS72RH	14	29	6	9 ³ / ₄	62	87	170.55	34
	LEFT	SCLS72LH								
84	RIGHT	SCLS84RH	18	33	7	11 ³ / ₈	108	156	424.51	32
	LEFT	SCLS84LH								
96	RIGHT	SCLS96RH	18	39	8	13	136	184	724.73	25
	LEFT	SCLS96LH								

L6 Blade

54	RIGHT	SCLS54RH	14	20	4½	7 ⁵ / ₁₆	42	72	52.58	67
60	RIGHT	SCLS60RH	14	23	5	8 ¹ / ₈	59	89	162.48	44
	LEFT	SCLS60LH								
72	RIGHT	SCLS72RH	14	29	6	9 ³ / ₄	93	123	269.72	34
	LEFT	SCLS72LH								
84	RIGHT	SCLS84RH	18	33	7	11 ³ / ₈	162	217	637.74	35
	LEFT	SCLS84LH								
96	RIGHT	SCLS96RH	18	39	8	13	204	259	1089.77	27
	LEFT	SCLS96LH								

SC — Sand Casting

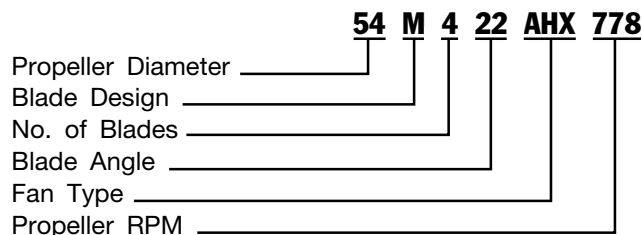
PM — Permanent Mold

All dimensions in inches unless otherwise noted.

Type M4 and M6 Blade

Catalog Numbering System

To identify a specific fan for ordering or engineering specifications, it is necessary to show the complete information listed in the tables below under catalog number. All performance data is available in curve form upon request.



Size 54

FPM	CATALOG NUMBER			CUBIC FEET PER MINUTE & HORSEPOWER AT STATIC PRESSURE													
	PROP	FAN TYPE	RPM	1/8" SP		1/4" SP		3/8" SP		1/2" SP		3/4" SP		1" SP		1 1/4" SP	
				CFM	BHP	CFM	BHP	CFM	BHP	CFM	BHP	CFM	BHP	CFM	BHP	CFM	BHP
11,000 FPM	54M416	AHX	778	28822	2.15	25271	2.29	21390	2.37	15738	2.29						
	54M418	AHX	778	30553	2.56	27404	2.67	23696	2.71	19132	2.66						
	54M420	AHX	778	33100	3.03	30033	3.13	26511	3.21	21895	3.21						
	54M422	AHX	778	35244	3.59	32130	3.67	28530	3.72	23510	3.61						
	54M424	AHX	778	37312	4.21	34104	4.29	30326	4.31	25476	4.24						
	54M616	AHX	778	31584	2.79	29187	3.01	26712	3.16	23902	3.23	12313	3.16				
	54M618	AHX	778	34261	3.32	31837	3.50	29379	3.67	26662	3.79	16651	3.73				
	54M620	AHX	778	37165	4.04	34725	4.25	32098	4.42	29163	4.53	19529	4.42				
12,000 FPM	54M622	AHX	778	39485	4.76	37132	4.97	34653	5.15	31827	5.26	22858	5.16				
	54M624	AHX	778	42016	5.60	39791	5.83	37250	6.00	34310	6.10	25378	5.89				
	54M416	AHX	849	32009	2.76	28867	2.93	25470	3.05	21582	3.09						
	54M418	AHX	849	33898	3.30	31028	3.43	27904	3.51	24184	3.52						
	54M420	AHX	849	36625	3.92	33886	4.02	30855	4.12	27337	4.19						
	54M422	AHX	849	38985	4.65	36176	4.74	33129	4.82	29460	4.82						
	54M424	AHX	849	41237	5.45	38392	5.55	35174	5.59	31379	5.59						
	54M616	AHX	849	34891	3.58	32680	3.83	30488	4.02	28110	4.15	21700	4.26				
13,000 FPM	54M618	AHX	849	37815	4.27	35581	4.47	33379	4.67	31031	4.83	25072	4.96				
	54M620	AHX	849	40967	5.20	38767	5.44	36439	5.65	33919	5.80	27732	5.95				
	54M622	AHX	849	43487	6.14	41360	6.38	39142	6.59	36769	6.76	30761	6.84				
	54M624	AHX	849	46217	7.23	44230	7.48	42035	7.70	39548	7.86	33415	7.90				
	54M416	AHX	920	35145	3.48	32351	3.67	29253	3.82	25988	3.91	14988	3.68				
	54M418	AHX	920	37201	4.17	34538	4.32	31824	4.43	28685	4.48	19733	4.29				
	54M420	AHX	920	40108	4.97	37627	5.07	34950	5.19	31976	5.29	23587	5.24				
	54M422	AHX	920	42683	5.89	40118	6.00	37430	6.09	34389	6.15	25440	5.84				
14,000 FPM	54M424	AHX	920	45116	6.91	42554	7.03	39729	7.10	36539	7.12	27820	6.92				
	54M616	AHX	920	38165	4.50	36118	4.79	34106	5.01	32016	5.19	27107	5.38	18300	5.30		
	54M618	AHX	920	41337	5.40	39273	5.62	37237	5.84	35167	6.04	30470	6.30	22554	6.24		
	54M620	AHX	920	44736	6.57	42731	6.84	40628	7.08	38409	7.27	33370	7.53	26010	7.47		
	54M622	AHX	920	47457	7.77	45514	8.03	43495	8.27	41403	8.48	36551	8.71	29442	8.60		
	54M624	AHX	920	50386	9.15	48588	9.43	46644	9.68	44495	9.89	39458	10.10	32346	9.88		
	54M416	AHX	990	38200	4.31	35681	4.51	32847	4.69	29938	4.82	22725	4.85				
	54M418	AHX	990	40427	5.17	37936	5.34	35482	5.47	32768	5.56	26160	5.54				
15,000 FPM	54M420	AHX	990	43510	6.17	41237	6.28	38819	6.41	36198	6.53	29842	6.64				
	54M422	AHX	990	46297	7.33	43937	7.44	41488	7.55	38855	7.63	32141	7.56				
	54M424	AHX	990	48908	8.59	46569	8.73	44036	8.82	41250	8.87	34452	8.81				
	54M616	AHX	990	41370	5.55	39468	5.87	37585	6.14	35704	6.36	31548	6.62	25873	6.74		
	54M618	AHX	990	44785	6.69	42867	6.93	40961	7.16	39074	7.39	34994	7.74	29762	7.87		
	54M620	AHX	990	48427	8.14	46582	8.44	44659	8.70	42654	8.93	38258	9.28	32853	9.44	22295	9.03
	54M622	AHX	990	51346	9.63	49556	9.92	47701	10.18	45795	10.43	41621	10.80	36376	10.85		
	54M624	AHX	990	54473	11.35	52827	11.66	51072	11.94	49174	12.19	44815	12.53	39469	12.55		
15,000 FPM	54M416	AHX	1061	41269	5.27	38970	5.49	36407	5.69	33709	5.86	27816	6.02	17052	5.64		
	54M418	AHX	1061	43673	6.33	41341	6.52	39059	6.67	36676	6.79	31021	6.87	22566	6.57		
	54M420	AHX	1061	46935	7.58	44840	7.70	42630	7.83	40281	7.96	34928	8.16	27072	8.03		
	54M422	AHX	1061	49936	9.00	47753	9.12	45492	9.24	43143	9.35	37622	9.43	29214	8.96		
	54M424	AHX	1061	52726	10.55	50575	10.70	48275	10.82	45792	10.89	40033	10.91	31961	10.60		
	54M616	AHX	1061	44600	6.78	42825	7.13	41056	7.44	39316	7.69	35615	8.06	31209	8.25	24544	8.27
	54M618	AHX	1061	48264	8.20	46474	8.45	44685	8.70	42926	8.95	39259	9.39	35093	9.66	29154	9.66
	54M620	AHX	1061	52150	9.97	50442	10.29	48672	10.59	46837	10.86	42907	11.29	38435	11.56	32597	11.59
54M622	AHX	1061	55273	11.81	53613	12.12	51902	12.41	50143	12.69	46443	13.15	42105	13.36	36388	13.28	
54M624	AHX	1061	58600	13.92	57082	14.26	55480	14.57	53776	14.85	49941	15.29	45457	15.49	39733	15.33	

REFERENCE: Angle Setting @ 5/6 Radius

BHP shown does not include drive loss.

Size 60

FPM	CATALOG NUMBER			CUBIC FEET PER MINUTE & HORSEPOWER AT STATIC PRESSURE													
	PROP	FAN TYPE	RPM	1/8" SP		1/4" SP		3/8" SP		1/2" SP		3/4" SP		1" SP		1 1/4" SP	
				CFM	BHP	CFM	BHP	CFM	BHP	CFM	BHP	CFM	BHP	CFM	BHP	CFM	BHP
11,000 FPM	60M416	AHX	700	35569	2.65	31185	2.83	26390	2.93	19402	2.82						
	60M418	AHX	700	37707	3.16	33818	3.29	29237	3.34	23598	3.28						
	60M420	AHX	700	40851	3.74	37062	3.85	32713	3.96	27008	3.95						
	60M422	AHX	700	43497	4.43	39651	4.53	35204	4.59	28999	4.45						
	60M424	AHX	700	46049	5.20	42087	5.29	37421	5.31	31425	5.23						
	60M616	AHX	700	38981	3.45	36020	3.71	32962	3.89	29492	3.99	15144	3.90				
	60M618	AHX	700	42284	4.09	39291	4.32	36255	4.53	32898	4.67	20510	4.61				
	60M620	AHX	700	45869	4.98	42856	5.25	39610	5.45	35984	5.59	24057	5.45				
	60M622	AHX	700	48732	5.87	45826	6.13	42763	6.36	39273	6.49	28165	6.36				
	60M624	AHX	700	51856	6.91	49107	7.19	45968	7.40	42337	7.52	31279	7.27				
12,000 FPM	60M416	AHX	764	39511	3.41	35631	3.61	31438	3.76	26635	3.81						
	60M418	AHX	764	41842	4.07	38299	4.23	34441	4.33	29848	4.34						
	60M420	AHX	764	45210	4.83	41828	4.96	38085	5.09	33741	5.17						
	60M422	AHX	764	48123	5.73	44654	5.85	40891	5.94	36361	5.95						
	60M424	AHX	764	50902	6.73	47390	6.85	43416	6.90	38729	6.89						
	60M616	AHX	764	43068	4.42	40339	4.73	37632	4.96	34696	5.12	26778	5.25				
	60M618	AHX	764	46678	5.28	43920	5.52	41202	5.77	38303	5.96	30942	6.12				
	60M620	AHX	764	50570	6.42	47853	6.72	44979	6.97	41867	7.16	34224	7.35				
	60M622	AHX	764	53680	7.58	51053	7.87	48314	8.13	45383	8.35	37964	8.44				
	60M624	AHX	764	57050	8.92	54598	9.24	51887	9.50	48815	9.69	41239	9.76				
13,000 FPM	60M416	AHX	828	43390	4.30	39940	4.53	36115	4.72	32084	4.83	18505	4.54				
	60M418	AHX	828	45927	5.15	42639	5.33	39289	5.46	35413	5.53	24362	5.29				
	60M420	AHX	828	49516	6.13	46454	6.26	43148	6.41	39476	6.53	29120	6.47				
	60M422	AHX	828	52695	7.28	49529	7.40	46210	7.52	42456	7.59	31407	7.21				
	60M424	AHX	828	55699	8.53	52535	8.68	49048	8.77	45111	8.80	34345	8.54				
	60M616	AHX	828	47117	5.55	44590	5.91	42106	6.19	39525	6.41	33467	6.64	22592	6.55		
	60M618	AHX	828	51034	6.67	48485	6.94	45972	7.20	43416	7.45	37618	7.77	27845	7.71		
	60M620	AHX	828	55230	8.11	52755	8.44	50159	8.74	47418	8.98	41196	9.30	32112	9.23		
	60M622	AHX	828	58589	9.59	56191	9.91	53697	10.21	51114	10.47	45124	10.76	36348	10.62		
	60M624	AHX	828	62205	11.30	59986	11.64	57586	11.95	54933	12.20	48714	12.47	39934	12.20		
14,000 FPM	60M416	AHX	891	47160	5.32	44050	5.56	40552	5.79	36961	5.96	28055	5.99				
	60M418	AHX	891	49909	6.38	46834	6.59	43805	6.75	40455	6.86	32296	6.84				
	60M420	AHX	891	53716	7.62	50912	7.76	47926	7.91	44689	8.06	36844	8.19				
	60M422	AHX	891	57156	9.05	54243	9.18	51220	9.32	47969	9.42	39681	9.34				
	60M424	AHX	891	60380	10.60	57492	10.77	54365	10.89	50926	10.95	42533	10.88				
	60M616	AHX	891	51073	6.85	48725	7.25	46401	7.58	44079	7.85	38948	8.18	31941	8.32		
	60M618	AHX	891	55291	8.26	52922	8.55	50569	8.84	48240	9.12	43202	9.56	36742	9.72		
	60M620	AHX	891	59786	10.04	57508	10.41	55134	10.74	52660	11.03	47233	11.46	40558	11.65	27524	11.15
	60M622	AHX	891	63391	11.89	61180	12.25	58891	12.57	56538	12.88	51383	13.33	44908	13.40		
	60M624	AHX	891	67250	14.01	65219	14.40	63052	14.74	60710	15.05	55328	15.46	48727	15.49		
15,000 FPM	60M416	AHX	955	50955	6.51	48118	6.77	44954	7.03	41623	7.24	34349	7.44	21080	6.97		
	60M418	AHX	955	53922	7.82	51044	8.06	48227	8.24	45286	8.39	38305	8.49	27882	8.11		
	60M420	AHX	955	57951	9.36	55365	9.51	52637	9.67	49738	9.83	43131	10.08	33439	9.92		
	60M422	AHX	955	61655	11.11	58962	11.27	56171	11.41	53271	11.54	46458	11.65	36084	11.06		
	60M424	AHX	955	65101	13.03	62445	13.22	59607	13.36	56542	13.45	49433	13.48	39475	13.10		
	60M616	AHX	955	55068	8.37	52876	8.81	50692	9.19	48545	9.50	43978	9.96	38540	10.19	30317	10.22
	60M618	AHX	955	59591	10.12	57381	10.44	55173	10.75	53003	11.06	48476	11.60	43334	11.93	36007	11.93
	60M620	AHX	955	64390	12.31	62281	12.71	60096	13.08	57832	13.41	52981	13.94	47460	14.27	40256	14.31
	60M622	AHX	955	68245	14.58	66196	14.97	64085	15.33	61914	15.67	57346	16.24	51992	16.50	44937	16.40
	60M624	AHX	955	72354	17.19	70481	17.61	68503	17.99	66399	18.34	61665	18.88	56131	19.13	49068	18.93

REFERENCE: Angle Setting @ 5/6 Radius

BHP shown does not include drive loss.

Size 72

FPM	CATALOG NUMBER			CUBIC FEET PER MINUTE & HORSEPOWER AT STATIC PRESSURE													
				1/8" SP		1/4" SP		3/8" SP		1/2" SP		3/4" SP		1" SP		1 1/4" SP	
	PROP	FAN TYPE	RPM	CFM	BHP	CFM	BHP	CFM	BHP	CFM	BHP	CFM	BHP	CFM	BHP	CFM	BHP
11,000 FPM	72M416	AHX	584	51291	3.83	44987	4.09	38098	4.23	28100	4.08						
	72M418	AHX	584	54373	4.57	48781	4.75	42199	4.83	34105	4.74						
	72M420	AHX	584	58904	5.40	53458	5.57	47208	5.71	39027	5.71						
	72M422	AHX	584	62719	6.40	57190	6.55	50801	6.63	41907	6.43						
	72M424	AHX	584	66399	7.51	60702	7.64	53998	7.68	45399	7.56						
	72M616	AHX	584	56206	4.98	51947	5.36	47552	5.62	42568	5.76	22140	5.63				
	72M618	AHX	584	60969	5.92	56662	6.24	52299	6.54	47475	6.75	29805	6.66				
	72M620	AHX	584	66136	7.20	61804	7.58	57137	7.87	51927	8.08	34948	7.89				
12,000 FPM	72M622	AHX	584	70264	8.49	66085	8.86	61682	9.18	56668	9.37	40862	9.20				
	72M624	AHX	584	74766	9.99	70814	10.38	66303	10.69	61087	10.87	45336	10.51				
	72M416	AHX	637	56931	4.92	51348	5.21	45313	5.42	38407	5.49						
	72M418	AHX	637	60290	5.88	55191	6.10	49641	6.24	43034	6.26						
	72M420	AHX	637	65142	6.97	60275	7.15	54889	7.33	48642	7.45						
	72M422	AHX	637	69338	8.27	64347	8.44	58933	8.57	52419	8.59						
	72M424	AHX	637	73343	9.70	68289	9.88	62571	9.96	55830	9.94						
	72M616	AHX	637	62055	6.37	58126	6.82	54232	7.15	50007	7.38	38629	7.57				
13,000 FPM	72M618	AHX	637	67256	7.61	63286	7.96	59373	8.32	55202	8.60	44623	8.83				
	72M620	AHX	637	72863	9.26	68954	9.69	64817	10.05	60339	10.33	49353	10.60				
	72M622	AHX	637	77345	10.93	73564	11.35	69622	11.73	65406	12.03	54739	12.17				
	72M624	AHX	637	82198	12.87	78669	13.32	74769	13.70	70350	13.98	59459	14.07				
	72M416	AHX	690	62480	6.19	57512	6.52	52005	6.79	46201	6.96	26647	6.54				
	72M418	AHX	690	66136	7.42	61402	7.68	56576	7.87	50995	7.97	35080	7.62				
	72M420	AHX	690	71303	8.83	66893	9.02	62132	9.23	56846	9.40	41933	9.32				
	72M422	AHX	690	75882	10.48	71322	10.66	66544	10.83	61137	10.93	45227	10.39				
14,000 FPM	72M424	AHX	690	80207	12.29	75652	12.50	70630	12.62	64959	12.67	49456	12.30				
	72M616	AHX	690	67849	8.00	64210	8.51	60633	8.91	56917	9.23	48191	9.56	32533	9.43		
	72M618	AHX	690	73489	9.60	69818	9.99	66199	10.37	62519	10.73	54170	11.19	40096	11.10		
	72M620	AHX	690	79531	11.68	75967	12.16	72230	12.58	68282	12.93	59323	13.39	46241	13.28		
	72M622	AHX	690	84368	13.81	80914	14.28	77324	14.70	73604	15.08	64979	15.49	52341	15.29		
	72M624	AHX	690	89574	16.27	86379	16.77	82923	17.21	79103	17.58	70149	17.95	57505	17.57		
	72M416	AHX	743	67962	7.68	63488	8.03	58455	8.36	53287	8.59	40502	8.64				
	72M418	AHX	743	71924	9.21	67498	9.51	63140	9.74	58322	9.90	46591	9.87				
15,000 FPM	72M420	AHX	743	77408	10.99	73372	11.20	69077	11.42	64422	11.62	53146	11.82				
	72M422	AHX	743	82366	13.05	78175	13.25	73825	13.44	69150	13.60	57240	13.48				
	72M424	AHX	743	87011	15.30	82856	15.54	78357	15.71	73411	15.80	61347	15.70				
	72M616	AHX	743	73599	9.89	70219	10.46	66875	10.94	63535	11.32	56156	11.80	46093	12.01		
	72M618	AHX	743	79677	11.92	76268	12.34	72882	12.75	69531	13.16	62284	13.79	53007	14.02		
	72M620	AHX	743	86155	14.49	82877	15.02	79461	15.50	75901	15.91	68094	16.54	58506	16.81	39880	16.08
	72M622	AHX	743	91348	17.15	88168	17.67	84873	18.14	81488	18.58	74075	19.23	64771	19.34		
	72M624	AHX	743	96909	20.22	93987	20.77	90868	21.27	87499	21.71	79760	22.31	70275	22.35		
15,000 FPM	72M416	AHX	796	73392	9.38	69307	9.76	64752	10.13	59957	10.43	49488	10.72	30431	10.04		
	72M418	AHX	796	77667	11.27	73523	11.61	69467	11.88	65233	12.08	55186	12.23	40216	11.69		
	72M420	AHX	796	83467	13.48	79744	13.70	75818	13.93	71645	14.17	62136	14.52	48202	14.30		
	72M422	AHX	796	88805	16.01	84927	16.23	80910	16.44	76734	16.63	66927	16.78	52009	15.94		
	72M424	AHX	796	93768	18.77	89944	19.04	85858	19.25	81445	19.38	71213	19.42	56892	18.87		
	72M616	AHX	796	79316	12.06	76161	12.69	73016	13.24	69924	13.69	63349	14.34	55525	14.68	43701	14.72
	72M618	AHX	796	85830	14.59	82648	15.04	79469	15.49	76345	15.93	69829	16.71	62429	17.18	51892	17.19
	72M620	AHX	796	92742	17.73	89706	18.31	86561	18.84	83301	19.32	76318	20.08	68371	20.56	58007	20.63
72M622	AHX	796	98295	21.01	95346	21.57	92306	22.09	89180	22.57	82605	23.40	74898	23.78	64749	23.64	
72M624	AHX	796	104212	24.77	101515	25.37	98667	25.92	95639	26.43	88825	27.21	80860	27.56	70698	27.28	

REFERENCE: Angle Setting @ 5/6 Radius

BHP shown does not include drive loss.



Size 81

FPM	CATALOG NUMBER			CUBIC FEET PER MINUTE & HORSEPOWER AT STATIC PRESSURE													
	PROP	FAN TYPE	RPM	1/8" SP		1/4" SP		3/8" SP		1/2" SP		3/4" SP		1" SP		1 1/4" SP	
				CFM	BHP	CFM	BHP	CFM	BHP	CFM	BHP	CFM	BHP	CFM	BHP	CFM	BHP
11,000 FPM	81M416	AHX	519	64898	4.85	56918	5.17	48194	5.35	35526	5.17						
	81M418	AHX	519	68799	5.78	61719	6.01	53385	6.11	43135	6.00						
	81M420	AHX	519	74531	6.83	67636	7.04	59723	7.23	49361	7.23						
	81M422	AHX	519	79360	8.09	72360	8.28	64269	8.39	53004	8.13						
	81M424	AHX	519	84015	9.49	76803	9.67	68314	9.71	57422	9.57						
	81M616	AHX	519	71118	6.30	65727	6.78	60162	7.11	53851	7.29	27942	7.12				
	81M618	AHX	519	77145	7.48	71693	7.89	66169	8.28	60061	8.53	37659	8.42				
	81M620	AHX	519	83684	9.11	78199	9.59	72290	9.96	65694	10.22	44160	9.97				
	81M622	AHX	519	88907	10.73	83616	11.21	78041	11.61	71692	11.85	51645	11.63				
81M624	AHX	519	94604	12.63	89601	13.13	83889	13.52	77284	13.75	57310	13.29					
12,000 FPM	81M416	AHX	566	72020	6.22	64950	6.59	57307	6.86	48559	6.94						
	81M418	AHX	566	76270	7.43	69813	7.71	62784	7.89	54415	7.91						
	81M420	AHX	566	82407	8.81	76245	9.04	69424	9.27	61510	9.42						
	81M422	AHX	566	87717	10.46	81397	10.67	74540	10.84	66287	10.85						
	81M424	AHX	566	92783	12.26	86383	12.49	79142	12.59	70602	12.57						
	81M616	AHX	566	78503	8.05	73529	8.62	68598	9.04	63248	9.33	48824	9.57				
	81M618	AHX	566	85083	9.62	80056	10.07	75102	10.51	69821	10.87	56412	11.16				
	81M620	AHX	566	92177	11.70	87227	12.25	81989	12.70	76318	13.06	62397	13.39				
	81M622	AHX	566	97846	13.82	93059	14.35	88069	14.83	82729	15.21	69212	15.39				
81M624	AHX	566	103987	16.27	99519	16.84	94579	17.32	88983	17.67	75183	17.79					
13,000 FPM	81M416	AHX	613	79028	7.83	72735	8.24	65759	8.58	58406	8.79	33511	8.27				
	81M418	AHX	613	83651	9.37	77656	9.71	71543	9.94	64472	10.07	44214	9.62				
	81M420	AHX	613	90189	11.15	84604	11.40	78573	11.66	71876	11.88	52933	11.77				
	81M422	AHX	613	95979	13.24	90206	13.47	84153	13.69	77302	13.81	57104	13.12				
	81M424	AHX	613	101451	15.53	95680	15.80	89319	15.95	82135	16.00	62456	15.54				
	81M616	AHX	613	85820	10.10	81212	10.75	76682	11.27	71975	11.66	60915	12.08	41013	11.91		
	81M618	AHX	613	92953	12.13	88305	12.62	83722	13.11	79061	13.56	68481	14.14	50591	14.02		
	81M620	AHX	613	100597	14.76	96084	15.37	91350	15.90	86350	16.34	74999	16.92	58378	16.78		
	81M622	AHX	613	106716	17.45	102342	18.04	97795	18.58	93083	19.06	82154	19.57	66114	19.32		
81M624	AHX	613	113302	20.55	109256	21.19	104878	21.75	100038	22.21	88693	22.68	72644	22.20			
14,000 FPM	81M416	AHX	660	85949	9.70	80281	10.14	73906	10.55	67360	10.86	51132	10.91				
	81M418	AHX	660	90960	11.63	85357	12.01	79836	12.30	73729	12.50	58859	12.46				
	81M420	AHX	660	97897	13.88	92786	14.14	87344	14.42	81446	14.68	67147	14.93				
	81M422	AHX	660	104167	16.48	98859	16.74	93349	16.98	87425	17.17	72318	17.02				
	81M424	AHX	660	110042	19.33	104779	19.63	99080	19.85	92812	19.95	77516	19.82				
	81M616	AHX	660	93081	12.49	88800	13.22	84565	13.82	80335	14.30	70983	14.91	58213	15.17		
	81M618	AHX	660	100767	15.06	96450	15.59	92161	16.11	87917	16.63	78736	17.42	66963	17.71		
	81M620	AHX	660	108961	18.31	104809	18.98	100483	19.58	95973	20.10	86081	20.89	73919	21.24	50164	20.31
	81M622	AHX	660	115530	21.67	111502	22.32	107328	22.92	103041	23.47	93646	24.29	81845	24.42		
81M624	AHX	660	122563	25.54	118861	26.24	114911	26.87	110642	27.42	100834	28.18	88806	28.23			
15,000 FPM	81M416	AHX	707	92807	11.85	87632	12.33	81860	12.79	75787	13.17	62514	13.54	38150	12.67		
	81M418	AHX	707	98212	14.23	92964	14.66	87827	15.00	82461	15.26	69722	15.44	50584	14.74		
	81M420	AHX	707	105549	17.02	100833	17.30	95858	17.59	90570	17.89	78515	18.34	60768	18.05		
	81M422	AHX	707	112298	20.22	107386	20.50	102297	20.76	97006	21.01	84571	21.19	65592	20.12		
	81M424	AHX	707	118574	23.70	113730	24.05	108552	24.31	102961	24.47	89988	24.52	71771	23.82		
	81M616	AHX	707	100299	15.22	96303	16.03	92321	16.72	88404	17.29	80072	18.11	70144	18.53	55100	18.58
	81M618	AHX	707	108537	18.42	104507	19.00	100481	19.56	96524	20.12	88267	21.10	78881	21.70	65479	21.70
	81M620	AHX	707	117279	22.39	113433	23.12	109448	23.80	105318	24.39	96469	25.36	86395	25.97	73235	26.04
	81M622	AHX	707	124301	26.53	120565	27.23	116715	27.89	112754	28.50	104422	29.56	94650	30.03	81760	29.84
81M624	AHX	707	131784	31.28	128368	32.03	124760	32.74	120923	33.37	112287	34.36	102189	34.80	89285	34.44	

REFERENCE: Angle Setting @ 5/6 Radius

BHP shown does not include drive loss.

Size 84

FPM	CATALOG NUMBER			CUBIC FEET PER MINUTE & HORSEPOWER AT STATIC PRESSURE													
				1/8" SP		1/4" SP		3/8" SP		1/2" SP		3/4" SP		1" SP		1 1/4" SP	
	PROP	FAN TYPE	RPM	CFM	BHP	CFM	BHP	CFM	BHP	CFM	BHP	CFM	BHP	CFM	BHP	CFM	BHP
11,000 FPM	84M416	AHX	500	69716	5.20	61123	5.55	51725	5.74	38028	5.53						
	84M418	AHX	500	73906	6.19	66283	6.45	57304	6.56	46252	6.43						
	84M420	AHX	500	80066	7.32	72642	7.56	64118	7.75	52934	7.75						
	84M422	AHX	500	85255	8.68	77717	8.88	69000	8.99	56837	8.72						
	84M424	AHX	500	90257	10.18	82490	10.37	73344	10.42	61592	10.26						
	84M616	AHX	500	76402	6.76	70599	7.27	64605	7.63	57804	7.82	29682	7.64				
	84M618	AHX	500	82876	8.03	77009	8.47	71060	8.88	64480	9.15	40200	9.03				
	84M620	AHX	500	89903	9.77	83998	10.28	77635	10.68	70528	10.96	47151	10.68				
	84M622	AHX	500	95515	11.51	89819	12.02	83816	12.46	76976	12.71	55204	12.47				
84M624	AHX	500	101638	13.55	96251	14.08	90098	14.50	82982	14.74	61307	14.24					
12,000 FPM	84M416	AHX	546	77490	6.69	69890	7.09	61676	7.38	52276	7.48						
	84M418	AHX	546	82062	8.00	75121	8.30	67567	8.50	58574	8.52						
	84M420	AHX	546	88664	9.49	82040	9.74	74710	9.98	66207	10.14						
	84M422	AHX	546	94377	11.26	87584	11.48	80215	11.67	71347	11.69						
	84M424	AHX	546	99829	13.21	92949	13.44	85166	13.55	75992	13.53						
	84M616	AHX	546	84464	8.67	79116	9.28	73815	9.73	68065	10.04	52579	10.31				
	84M618	AHX	546	91543	10.36	86139	10.84	80814	11.32	75137	11.71	60737	12.02				
	84M620	AHX	546	99175	12.60	93854	13.19	88224	13.68	82128	14.06	67175	14.42				
	84M622	AHX	546	105274	14.88	100128	15.45	94763	15.96	89025	16.38	74507	16.57				
84M624	AHX	546	111881	17.52	107078	18.13	101768	18.65	95754	19.03	80929	19.15					
13,000 FPM	84M416	AHX	591	84972	8.41	78203	8.85	70700	9.23	62789	9.45	35961	8.88				
	84M418	AHX	591	89943	10.07	83495	10.43	76919	10.69	69312	10.82	47483	10.34				
	84M420	AHX	591	96973	11.99	90965	12.25	84478	12.53	77274	12.77	56876	12.65				
	84M422	AHX	591	103199	14.23	96988	14.48	90478	14.72	83107	14.84	61363	14.10				
	84M424	AHX	591	109083	16.69	102876	16.98	96034	17.14	88305	17.20	67119	16.70				
	84M616	AHX	591	92276	10.86	87319	11.56	82448	12.11	77384	12.53	65482	12.98	44048	12.80		
	84M618	AHX	591	99946	13.04	94946	13.57	90017	14.09	85002	14.58	73620	15.20	54352	15.07		
	84M620	AHX	591	108166	15.86	103310	16.52	98218	17.09	92840	17.56	80627	18.19	62730	18.03		
	84M622	AHX	591	114744	18.75	110040	19.39	105149	19.97	100080	20.49	88321	21.04	71055	20.76		
84M624	AHX	591	121826	22.09	117474	22.77	112766	23.38	107559	23.87	95352	24.38	78075	23.86			
14,000 FPM	84M416	AHX	637	92527	10.46	86439	10.93	79592	11.38	72559	11.70	55174	11.77				
	84M418	AHX	637	97921	12.54	91900	12.95	85969	13.26	79414	13.48	63454	13.44				
	84M420	AHX	637	105386	14.97	99895	15.25	94050	15.55	87716	15.83	72379	16.10				
	84M422	AHX	637	112137	17.78	106434	18.05	100515	18.31	94154	18.52	77956	18.36				
	84M424	AHX	637	118461	20.84	112807	21.17	106686	21.40	99956	21.52	83544	21.38				
	84M616	AHX	637	100202	13.46	95602	14.25	91051	14.90	86506	15.42	76466	16.07	62781	16.36		
	84M618	AHX	637	108475	16.23	103837	16.81	99228	17.37	94668	17.93	84809	18.78	72193	19.09		
	84M620	AHX	637	117294	19.74	112834	20.46	108186	21.11	103342	21.67	92720	22.52	79679	22.90	54393	21.90
	84M622	AHX	637	124366	23.36	120038	24.06	115554	24.71	110948	25.30	100862	26.19	88208	26.34		
84M624	AHX	637	131936	27.54	127959	28.29	123716	28.97	119131	29.56	108600	30.39	95700	30.45			
15,000 FPM	84M416	AHX	682	99849	12.76	94286	13.27	88083	13.77	81553	14.18	67291	14.57	41212	13.65		
	84M418	AHX	682	105664	15.32	100022	15.78	94499	16.15	88732	16.43	75043	16.63	54559	15.88		
	84M420	AHX	682	113557	18.33	108487	18.62	103139	18.94	97456	19.26	84501	19.74	65473	19.43		
	84M422	AHX	682	120818	21.77	115538	22.07	110067	22.35	104380	22.61	91018	22.81	70658	21.67		
	84M424	AHX	682	127571	25.52	122364	25.89	116799	26.17	110789	26.35	96848	26.40	77303	25.65		
	84M616	AHX	682	107909	16.39	103613	17.26	99331	18.00	95121	18.61	86165	19.50	75501	19.95	59362	20.01
	84M618	AHX	682	116772	19.83	112439	20.45	108111	21.05	103856	21.66	94981	22.71	84898	23.36	70518	23.36
	84M620	AHX	682	126176	24.11	122042	24.90	117758	25.62	113319	26.26	103808	27.30	92982	27.96	78852	28.04
	84M622	AHX	682	133732	28.56	129715	29.32	125576	30.03	121318	30.69	112362	31.82	101862	32.33	88023	32.13
84M624	AHX	682	141782	33.67	138110	34.49	134232	35.24	130108	35.93	120826	36.99	109974	37.47	96117	37.08	

REFERENCE: Angle Setting @ 5/6 Radius

BHP shown does not include drive loss.



Size 93

FPM	CATALOG NUMBER			CUBIC FEET PER MINUTE & HORSEPOWER AT STATIC PRESSURE													
	PROP	FAN TYPE	RPM	1/8" SP		1/4" SP		3/8" SP		1/2" SP		3/4" SP		1" SP		1 1/4" SP	
				CFM	BHP	CFM	BHP	CFM	BHP	CFM	BHP	CFM	BHP	CFM	BHP	CFM	BHP
11,000 FPM	93M416	AHX	452	85544	6.39	75023	6.82	63522	7.05	46814	6.81						
	93M418	AHX	452	90686	7.61	81352	7.92	70364	8.06	56850	7.90						
	93M420	AHX	452	98242	9.00	89151	9.28	78719	9.53	65056	9.52						
	93M422	AHX	452	104607	10.67	95378	10.92	84712	11.05	69857	10.72						
	93M424	AHX	452	110743	12.51	101235	12.74	90043	12.80	75681	12.61						
	93M616	AHX	452	93743	8.30	86636	8.93	79299	9.37	70978	9.61	36798	9.39				
12,000 FPM	93M618	AHX	452	101687	9.86	94500	10.41	87217	10.91	79165	11.25	49615	11.10				
	93M620	AHX	452	110306	12.00	103075	12.63	95285	13.13	86589	13.47	58180	13.14				
	93M622	AHX	452	117191	14.15	110216	14.77	102867	15.31	94497	15.62	68050	15.33				
	93M624	AHX	452	124701	16.65	118105	17.31	110576	17.82	101868	18.12	75518	17.51				
	93M416	AHX	493	94947	8.20	85627	8.69	75555	9.04	64024	9.15						
	93M418	AHX	493	100551	9.79	92039	10.17	82774	10.40	71744	10.43						
13,000 FPM	93M420	AHX	493	108641	11.62	100518	11.92	91528	12.23	81096	12.42						
	93M422	AHX	493	115641	13.79	107311	14.06	98273	14.29	87394	14.31						
	93M424	AHX	493	122320	16.17	113884	16.46	104340	16.60	93084	16.57						
	93M616	AHX	493	103494	10.61	96937	11.36	90437	11.92	83385	12.30	64376	12.62				
	93M618	AHX	493	112169	12.68	105542	13.28	99013	13.86	92051	14.34	74380	14.72				
	93M620	AHX	493	121521	15.43	114996	16.15	108091	16.75	100615	17.22	82270	17.66				
14,000 FPM	93M622	AHX	493	128995	18.22	122685	18.92	116106	19.55	109067	20.06	91254	20.29				
	93M624	AHX	493	137090	21.45	131200	22.20	124689	22.83	117313	23.30	99125	23.45				
	93M416	AHX	534	104199	10.32	95906	10.86	86712	11.32	77022	11.60	44269	10.90				
	93M418	AHX	534	110295	12.36	102394	12.80	94338	13.11	85020	13.28	58366	12.70				
	93M420	AHX	534	118914	14.71	111554	15.03	103606	15.38	94781	15.66	69840	15.53				
	93M422	AHX	534	126549	17.46	118939	17.77	110964	18.06	101936	18.22	75337	17.31				
15,000 FPM	93M424	AHX	534	133764	20.48	126159	20.83	117776	21.04	108309	21.11	82392	20.50				
	93M616	AHX	534	113154	13.33	107080	14.18	101111	14.86	94908	15.38	80334	15.93	54136	15.71		
	93M618	AHX	534	122559	16.00	116432	16.65	110393	17.29	104249	17.89	90309	18.65	66760	18.50		
	93M620	AHX	534	132638	19.46	126690	20.27	120451	20.97	113862	21.55	98903	22.32	77021	22.14		
	93M622	AHX	534	140705	23.01	134941	23.79	128949	24.50	122738	25.14	108336	25.81	87212	25.48		
	93M624	AHX	534	149388	27.11	144055	27.95	138287	28.68	131909	29.29	116958	29.92	95822	29.28		
16,000 FPM	93M416	AHX	575	113338	12.79	105869	13.38	97468	13.92	88841	14.32	67475	14.40				
	93M418	AHX	575	119945	15.34	112560	15.85	105286	16.23	97240	16.49	77650	16.44				
	93M420	AHX	575	129092	18.31	122355	18.66	115185	19.03	107414	19.37	88580	19.70				
	93M422	AHX	575	137360	21.75	130365	22.08	123104	22.40	115298	22.66	95402	22.46				
	93M424	AHX	575	145106	25.50	138172	25.90	130662	26.18	122403	26.32	102255	26.15				
	93M616	AHX	575	122741	16.48	117100	17.44	111518	18.23	105943	18.86	93622	19.67	76807	20.02		
17,000 FPM	93M618	AHX	575	132876	19.86	127187	20.57	121534	21.26	115941	21.94	103844	22.98	88342	23.36		
	93M620	AHX	575	143680	24.15	138209	25.04	132507	25.84	126564	26.52	113531	27.56	97514	28.02	66299	26.80
	93M622	AHX	575	152343	28.59	147034	29.44	141535	30.23	135884	30.96	123507	32.05	107963	32.22		
	93M624	AHX	575	161616	33.69	156738	34.61	151532	35.45	145907	36.18	132985	37.18	117142	37.25		
	93M416	AHX	616	122391	15.64	115573	16.27	107969	16.88	99965	17.38	82482	17.86	50516	16.73		
	93M418	AHX	616	129520	18.78	122603	19.34	115834	19.79	108765	20.13	91986	20.38	66877	19.47		
18,000 FPM	93M420	AHX	616	139195	22.46	132980	22.83	126424	23.21	119458	23.61	103578	24.20	80254	23.82		
	93M422	AHX	616	148095	26.69	141622	27.05	134917	27.39	127946	27.72	111567	27.96	86610	26.56		
	93M424	AHX	616	156371	31.28	149989	31.73	143168	32.08	135801	32.30	118713	32.36	94756	31.44		
	93M616	AHX	616	132271	20.09	127004	21.15	121757	22.06	116596	22.81	105619	23.90	92547	24.46	72763	24.53
	93M618	AHX	616	143135	24.31	137825	25.07	132519	25.81	127304	26.55	116424	27.84	104065	28.64	86438	28.64
	93M620	AHX	616	154662	29.55	149594	30.52	144343	31.40	138902	32.19	127244	33.46	113975	34.27	96653	34.37
19,000 FPM	93M622	AHX	616	163924	35.01	159001	35.94	153927	36.81	148708	37.61	137730	39.00	124860	39.63	107896	39.39
	93M624	AHX	616	173790	41.27	169290	42.27	164536	43.20	159480	44.04	148104	45.34	134803	45.92	117817	45.45

REFERENCE: Angle Setting @ 5/6 Radius

BHP shown does not include drive loss.

Size 96

FPM	CATALOG NUMBER			CUBIC FEET PER MINUTE & HORSEPOWER AT STATIC PRESSURE													
				1/8" SP		1/4" SP		3/8" SP		1/2" SP		3/4" SP		1" SP		1 1/4" SP	
	PROP	FAN TYPE	RPM	CFM	BHP	CFM	BHP	CFM	BHP	CFM	BHP	CFM	BHP	CFM	BHP	CFM	BHP
11,000 FPM	96M416	AHX	438	91184	6.82	79978	7.27	67730	7.52	49955	7.26						
	96M418	AHX	438	96665	8.12	86722	8.45	75020	8.59	60632	8.43						
	96M420	AHX	438	104717	9.60	95034	9.90	83925	10.16	69382	10.16						
	96M422	AHX	438	111502	11.37	101671	11.64	90312	11.79	74503	11.44						
	96M424	AHX	438	118043	13.34	107915	13.59	95996	13.65	80708	13.45						
	96M616	AHX	438	99922	8.85	92351	9.53	84536	10.00	75676	10.25	39360	10.01				
	96M618	AHX	438	108389	10.52	100733	11.10	92976	11.63	84401	11.99	52988	11.84				
	96M620	AHX	438	117575	12.80	109873	13.47	101576	14.00	92314	14.36	62130	14.02				
	96M622	AHX	438	124914	15.09	117484	15.75	109656	16.32	100743	16.66	72643	16.35				
96M624	AHX	438	132917	17.75	125892	18.46	117873	19.01	108599	19.32	80598	18.68					
12,000 FPM	96M416	AHX	477	101023	8.70	91074	9.23	80325	9.60	67999	9.72						
	96M418	AHX	477	106986	10.40	97905	10.80	88010	11.05	76224	11.07						
	96M420	AHX	477	115599	12.34	106930	12.66	97331	12.98	86181	13.19						
	96M422	AHX	477	123048	14.64	114158	14.93	104506	15.17	92876	15.19						
	96M424	AHX	477	130156	17.17	121152	17.48	110960	17.62	98930	17.59						
	96M616	AHX	477	110124	11.27	103130	12.06	96193	12.66	88663	13.06	68305	13.40				
	96M618	AHX	477	119356	13.46	112287	14.10	105320	14.72	97888	15.22	78971	15.62				
	96M620	AHX	477	129310	16.38	122347	17.15	114978	17.78	106996	18.28	87372	18.75				
	96M622	AHX	477	137264	19.34	130531	20.09	123511	20.76	115994	21.30	96936	21.54				
96M624	AHX	477	145881	22.77	139595	23.57	132643	24.25	124765	24.74	105312	24.89					
13,000 FPM	96M416	AHX	517	110953	10.98	102109	11.56	92306	12.04	81969	12.34	46833	11.59				
	96M418	AHX	517	117444	13.15	109021	13.62	100428	13.95	90488	14.12	61901	13.49				
	96M420	AHX	517	126624	15.65	118775	15.99	110300	16.36	100885	16.66	74199	16.51				
	96M422	AHX	517	134755	18.58	126640	18.90	118135	19.21	108503	19.37	80062	18.40				
	96M424	AHX	517	142438	21.78	134329	22.16	125387	22.38	115288	22.45	87579	21.79				
	96M616	AHX	517	120491	14.18	114015	15.09	107651	15.81	101035	16.36	85480	16.94	57432	16.70		
	96M618	AHX	517	130506	17.02	123975	17.71	117536	18.39	110984	19.03	96108	19.84	70893	19.67		
	96M620	AHX	517	141240	20.70	134898	21.56	128245	22.30	121218	22.92	105258	23.74	81841	23.54		
	96M622	AHX	517	149832	24.48	143686	25.31	137296	26.06	130672	26.74	115305	27.46	92725	27.10		
96M624	AHX	517	159079	28.83	153393	29.73	147240	30.51	140437	31.16	124485	31.82	101892	31.13			
14,000 FPM	96M416	AHX	557	120760	13.63	112802	14.25	103849	14.84	94656	15.26	71883	15.34				
	96M418	AHX	557	127800	16.35	119931	16.88	112179	17.29	103605	17.57	82729	17.52				
	96M420	AHX	557	137546	19.51	130368	19.88	122727	20.27	114445	20.64	94373	20.99				
	96M422	AHX	557	146356	23.17	138902	23.53	131164	23.87	122845	24.14	101642	23.92				
	96M424	AHX	557	154610	27.17	147220	27.60	139217	27.90	130416	28.05	108943	27.86				
	96M616	AHX	557	130779	17.55	124768	18.58	118819	19.42	112879	20.10	99749	20.95	81827	21.32		
	96M618	AHX	557	141579	21.16	135516	21.91	129493	22.65	123533	23.37	110641	24.48	94119	24.89		
	96M620	AHX	557	153090	25.73	147260	26.68	141184	27.52	134851	28.25	120962	29.36	103891	29.85	70609	28.55
	96M622	AHX	557	162320	30.46	156663	31.37	150802	32.21	144781	32.98	131590	34.14	115027	34.33		
96M624	AHX	557	172201	35.89	167003	36.88	161455	37.76	155461	38.54	141691	39.61	124805	39.68			
15,000 FPM	96M416	AHX	597	130475	16.68	123214	17.35	115117	18.00	106592	18.54	87979	19.06	54100	17.85		
	96M418	AHX	597	138075	20.03	130709	20.63	123498	21.11	115970	21.48	98107	21.74	71495	20.78		
	96M420	AHX	597	148387	23.97	141768	24.36	134788	24.76	127370	25.19	110463	25.82	85692	25.42		
	96M422	AHX	597	157875	28.47	150982	28.86	143840	29.22	136416	29.57	118981	29.83	92461	28.34		
	96M424	AHX	597	166698	33.37	159901	33.86	152636	34.23	144792	34.46	126600	34.53	101141	33.55		
	96M616	AHX	597	141006	21.43	135397	22.57	129807	23.54	124310	24.34	112620	25.50	98711	26.09	77690	26.18
	96M618	AHX	597	152587	25.94	146931	26.74	141280	27.53	135725	28.32	124139	29.70	110984	30.55	92252	30.55
	96M620	AHX	597	164875	31.52	159478	32.56	153885	33.50	148091	34.34	135676	35.70	121549	36.56	103124	36.67
	96M622	AHX	597	174748	37.35	169504	38.34	164100	39.27	158542	40.13	146852	41.61	133152	42.28	115110	42.02
96M624	AHX	597	185265	44.03	180472	45.10	175409	46.09	170025	46.98	157912	48.37	143752	49.00	125685	48.50	

REFERENCE: Angle Setting @ 5/6 Radius

BHP shown does not include drive loss.



Size 108

FPM	CATALOG NUMBER		CUBIC FEET PER MINUTE & HORSEPOWER AT STATIC PRESSURE														
			1/8" SP		1/4" SP		3/8" SP		1/2" SP		3/4" SP		1" SP		1 1/4" SP		
	PROP	FAN TYPE	RPM	CFM	BHP	CFM	BHP	CFM	BHP	CFM	BHP	CFM	BHP	CFM	BHP	CFM	BHP
11,000 FPM	108M416	AHX	389	115284	8.60	101085	9.18	85559	9.49	62953	9.16						
	108M418	AHX	389	122214	10.25	109617	10.66	94782	10.85	76528	10.64						
	108M420	AHX	389	132399	12.11	120131	12.50	106047	12.83	87581	12.82						
	108M422	AHX	389	140978	14.36	128523	14.70	114122	14.88	94039	14.43						
	108M424	AHX	389	149249	16.85	136416	17.18	121306	17.23	101899	16.97						
	108M616	AHX	389	126338	11.18	116749	12.03	106845	12.62	95609	12.94	49253	12.64				
	108M618	AHX	389	137045	13.28	127348	14.01	117519	14.69	106647	15.14	66606	14.94				
	108M620	AHX	389	148662	16.16	138905	17.01	128391	17.67	116649	18.14	78117	17.68				
	108M622	AHX	389	157943	19.05	148530	19.89	138610	20.61	127309	21.04	91430	20.63				
	108M624	AHX	389	168066	22.41	159164	23.30	148999	24.00	137241	24.39	101512	23.57				
12,000 FPM	108M416	AHX	424	127858	11.02	115267	11.68	101661	12.15	86060	12.30						
	108M418	AHX	424	135404	13.16	123912	13.67	111388	13.98	96470	14.02						
	108M420	AHX	424	146305	15.61	135333	16.02	123185	16.43	109073	16.69						
	108M422	AHX	424	155732	18.52	144481	18.90	132266	19.20	117546	19.23						
	108M424	AHX	424	164729	21.73	153333	22.19	140433	22.30	125209	22.26						
	108M616	AHX	424	139376	14.26	130523	15.27	121744	16.02	112214	16.53	86448	16.96				
	108M618	AHX	424	151060	17.04	142114	17.84	133296	18.63	123889	19.27	99948	19.77				
	108M620	AHX	424	163657	20.73	154845	21.70	145519	22.51	135417	23.14	110579	23.73				
	108M622	AHX	424	173725	24.48	165203	25.43	156318	26.27	146804	26.96	122684	27.26				
	108M624	AHX	424	184631	28.82	176676	29.83	167877	30.69	157906	31.32	133286	31.50				
13,000 FPM	108M416	AHX	460	140582	13.94	129403	14.66	117009	15.28	103951	15.66	59955	14.72				
	108M418	AHX	460	148804	16.69	138153	17.28	127295	17.70	114738	17.92	78931	17.15				
	108M420	AHX	460	160433	19.86	150511	20.30	139798	20.76	127904	21.15	94349	20.97				
	108M422	AHX	460	170733	23.58	160475	23.99	149723	24.38	137557	24.59	101760	23.37				
	108M424	AHX	460	180466	27.65	166362	28.26	155416	28.45	146157	28.50	111277	27.68				
	108M616	AHX	460	152660	17.99	144472	19.15	136424	20.06	128063	20.76	108429	21.50	73198	21.21		
	108M618	AHX	460	165349	21.60	157090	22.48	148947	23.34	140666	24.15	121882	25.18	90217	24.97		
	108M620	AHX	460	178945	26.28	170927	27.36	162516	28.31	153635	29.09	133477	30.13	104043	29.89		
	108M622	AHX	460	189829	31.07	182059	32.12	173980	33.07	165609	33.93	146202	34.85	117767	34.40		
	108M624	AHX	460	201542	36.60	194354	37.73	186578	38.72	177982	39.54	157835	40.39	129386	39.54		
14,000 FPM	108M416	AHX	495	152799	17.24	142723	18.03	131388	18.76	119751	19.30	90900	19.40				
	108M418	AHX	495	161706	20.68	151744	21.36	141930	21.87	131075	22.22	104639	22.15				
	108M420	AHX	495	174038	24.68	164951	25.14	155278	25.64	144793	26.10	119373	26.54				
	108M422	AHX	495	185185	29.31	175749	29.75	165953	30.19	155421	30.53	128565	30.26				
	108M424	AHX	495	195630	34.36	186275	34.90	176143	35.36	165000	35.47	137808	35.24				
	108M616	AHX	495	165477	22.20	157867	23.50	150337	24.56	142816	25.42	126192	26.50	103491	26.97		
	108M618	AHX	495	179142	26.77	171467	27.71	163842	28.64	156297	29.56	139974	30.97	119046	31.48		
	108M620	AHX	495	193707	32.55	186327	33.74	178635	34.81	170618	35.74	153033	37.14	131412	37.76	89179	36.11
	108M622	AHX	495	205387	38.52	198225	39.68	190806	40.74	183183	41.72	166482	43.19	145502	43.42		
	108M624	AHX	495	217890	45.40	211309	46.64	204286	47.77	196697	48.75	179261	50.10	157876	50.19		
15,000 FPM	108M412	AHX	531	135669	14.07	126827	14.79	117212	15.42	106694	15.93	82009	16.06				
	108M414	AHX	531	150510	17.37	141505	18.24	131553	18.92	120999	19.49	96859	19.92				
	108M416	AHX	531	165247	21.15	156064	22.00	145826	22.83	135044	23.51	111519	24.17	68983	22.64		
	108M418	AHX	531	174873	25.40	165555	26.16	156434	26.77	146918	27.23	124341	27.57	90929	26.37		
	108M420	AHX	531	187931	30.39	179560	30.88	170732	31.40	161352	31.94	139983	32.74	108785	32.24		
	108M612	AHX	531	148048	18.32	141692	19.31	134970	20.30	127816	21.28	110443	22.23	91036	22.87	65878	23.42
	108M614	AHX	531	163319	22.33	156583	23.55	149695	24.67	142691	25.70	127021	27.06	107783	27.62	81147	28.00
	108M616	AHX	531	178582	27.18	171487	28.61	164417	29.84	157464	30.86	142684	32.33	125115	33.08	98623	33.20
	108M618	AHX	531	193248	32.89	186094	33.91	178945	34.91	171919	35.91	157271	37.66	140648	38.73	117033	38.74
	108M620	AHX	531	208809	39.97	201983	41.28	194911	42.47	187582	43.54	171885	45.26	154031	46.35	130773	46.50

REFERENCE: Angle Setting @ 5/6 Radius

BHP shown does not include drive loss.

Size 120

FPM	CATALOG NUMBER			CUBIC FEET PER MINUTE & HORSEPOWER AT STATIC PRESSURE													
	PROP	FAN TYPE	RPM	1/8" SP		1/4" SP		3/8" SP		1/2" SP		3/4" SP		1" SP		1 1/4" SP	
				CFM	BHP	CFM	BHP	CFM	BHP	CFM	BHP	CFM	BHP	CFM	BHP	CFM	BHP
11,000 FPM	120M416	AHX	350	142276	10.61	124740	11.32	105562	11.70	77608	11.30						
	120M418	AHX	350	150830	12.64	135272	13.15	116947	13.38	94391	13.12						
	120M420	AHX	350	163400	14.94	148249	15.42	130853	15.82	108028	15.81						
	120M422	AHX	350	173989	17.71	158607	18.13	140816	18.35	115993	17.80						
	120M424	AHX	350	184197	20.78	163346	21.21	149681	21.26	125699	20.93						
	120M616	AHX	350	155922	13.79	144080	14.84	131848	15.57	117965	15.96	60577	15.58				
	120M618	AHX	350	169136	16.38	157161	17.28	145021	18.12	131593	18.68	82041	18.43				
	120M620	AHX	350	183474	19.94	171424	20.98	158439	21.80	143934	22.37	96227	21.80				
12,000 FPM	120M622	AHX	350	194929	23.50	183304	24.53	171053	25.42	157092	25.95	112662	25.44				
	120M624	AHX	350	207423	27.65	196429	28.74	183873	29.60	169349	30.09	125115	29.06				
	120M416	AHX	382	158045	13.64	142523	14.46	125748	15.05	106541	15.23						
	120M418	AHX	382	167371	16.30	153197	16.92	137766	17.31	119393	17.36						
	120M420	AHX	382	180840	19.34	167312	19.84	152339	20.34	134963	20.67						
	120M422	AHX	382	192492	22.94	178618	23.40	163565	23.78	145444	23.81						
	120M424	AHX	382	203610	26.91	189561	27.39	173664	27.62	154915	27.57						
	120M616	AHX	382	172273	17.66	161355	18.90	150529	19.83	138784	20.46	107111	21.01				
13,000 FPM	120M618	AHX	382	186713	21.10	175679	22.09	164805	23.06	153211	23.86	123768	24.49				
	120M620	AHX	382	202280	25.68	191415	26.87	179916	27.87	167465	28.65	136901	29.39				
	120M622	AHX	382	214722	30.31	204214	31.48	193259	32.53	181535	33.38	151857	33.76				
	120M624	AHX	382	228198	35.69	218390	36.94	207545	38.00	195260	38.78	164959	39.02				
	120M416	AHX	414	173556	17.21	159756	18.10	144456	18.87	128334	19.33	74018	18.18				
	120M418	AHX	414	183710	20.60	170559	21.34	157154	21.86	141653	22.13	97446	21.17				
	120M420	AHX	414	198065	24.52	185815	25.06	172591	25.63	157906	26.11	116480	25.88				
	120M422	AHX	414	210781	29.11	198116	29.61	184844	30.09	169825	30.36	125629	28.85				
14,000 FPM	120M424	AHX	414	222797	34.14	204579	34.90	191138	35.13	180441	35.18	137378	34.17				
	120M616	AHX	414	188469	22.21	178360	23.64	168424	24.76	158103	25.63	133864	26.55	90368	26.19		
	120M618	AHX	414	204133	26.67	193938	27.75	183885	28.82	173662	29.81	150471	31.09	111377	30.83		
	120M620	AHX	414	220920	32.44	211020	33.78	200637	34.94	189673	35.91	164786	37.20	128448	36.90		
	120M622	AHX	414	234356	38.35	224763	39.65	214790	40.83	204455	41.89	180497	43.02	145392	42.47		
	120M624	AHX	414	248817	45.18	239943	46.58	230343	47.81	219731	48.82	194857	49.86	159736	48.81		
	120M414	AHX	446	171929	17.57	159755	18.53	146221	19.25	131838	19.84	94336	19.45				
	120M416	AHX	446	188879	21.35	176459	22.33	162487	23.24	148139	23.90	112693	24.04				
15,000 FPM	120M418	AHX	446	199890	25.61	187603	26.45	175503	27.09	162131	27.52	129578	27.45				
	120M420	AHX	446	215128	30.57	203924	31.14	192000	31.75	179079	32.33	147797	32.88				
	120M422	AHX	446	228906	36.30	217271	36.86	205194	37.39	192218	37.82	159187	37.49				
	120M614	AHX	446	187031	22.60	178070	23.97	168918	25.23	159409	26.33	137150	27.45	108156	28.18		
	120M616	AHX	446	204543	27.50	195159	29.10	185872	30.42	176600	31.48	156118	32.82	128214	33.41		
	120M618	AHX	446	221432	33.15	211968	34.33	202563	35.47	193260	36.61	173147	38.35	147422	39.00		
	120M620	AHX	446	239434	40.31	230333	41.79	220850	43.12	210967	44.26	189298	46.00	162702	46.77	111228	44.73
	120M622	AHX	446	253868	47.71	245038	49.14	235890	50.46	226492	51.67	205917	53.49	180111	53.78		
15,000 FPM	120M412	AHX	477	167138	17.28	156196	18.17	144292	18.94	131267	19.57	100653	19.70				
	120M414	AHX	477	185425	21.33	174281	22.40	161961	23.24	148899	23.94	118962	24.45				
	120M416	AHX	477	203584	25.97	192220	27.02	179544	28.03	166206	28.87	137047	29.67	83244	27.77		
	120M418	AHX	477	215442	31.18	203917	32.12	192637	32.87	180850	33.44	152864	33.85	110600	32.29		
	120M420	AHX	477	231538	37.31	221181	37.92	210256	38.55	198643	39.22	172156	40.20	133056	39.54		
	120M612	AHX	477	182403	22.50	174538	23.72	166220	24.93	157361	26.15	135825	27.30	111820	28.11	80255	28.69
	120M614	AHX	477	201218	27.42	192884	28.92	184364	30.29	175696	31.57	156280	33.23	132411	33.92	99160	34.35
	120M616	AHX	477	220023	33.37	211248	35.13	202504	36.65	193904	37.90	175604	39.70	153781	40.62	120655	40.72
120M618	AHX	477	238096	40.38	229247	41.64	220406	42.86	211717	44.10	193581	46.25	172957	47.56	143452	47.55	
120M620	AHX	477	257272	49.08	248827	50.68	240076	52.16	231008	53.47	211572	55.58	189436	56.92	160497	57.07	

REFERENCE: Angle Setting @ 5/6 Radius

BHP shown does not include drive loss.



Size 132

FPM	CATALOG NUMBER			CUBIC FEET PER MINUTE & HORSEPOWER AT STATIC PRESSURE													
				1/8" SP		1/4" SP		3/8" SP		1/2" SP		3/4" SP		1" SP		1 1/4" SP	
	PROP	FAN TYPE	RPM	CFM	BHP	CFM	BHP	CFM	BHP	CFM	BHP	CFM	BHP	CFM	BHP	CFM	BHP
11,000 FPM	132M416	AHX	318	172034	12.82	150799	13.68	127570	14.14	93635	13.64						
	132M418	AHX	318	182378	15.27	163541	15.89	141342	16.16	114002	15.85						
	132M420	AHX	318	197583	18.05	179235	18.63	158162	19.11	130485	19.10						
	132M422	AHX	318	210385	21.40	191760	21.90	170208	22.17	140099	21.49						
	132M424	AHX	318	222730	25.10	198280	25.62	180925	25.67	151848	25.28						
	132M616	AHX	318	188541	16.65	174204	17.93	159392	18.81	142570	19.28	72750	18.82				
12,000 FPM	132M416	AHX	347	191057	16.47	172255	17.45	151936	18.17	128647	18.39						
	132M418	AHX	347	202333	19.68	185169	20.43	166469	20.90	144199	20.96						
	132M420	AHX	347	218619	23.34	202235	23.96	184096	24.56	163028	24.95						
	132M422	AHX	347	232707	27.69	215905	28.25	197665	28.71	175692	28.74						
	132M424	AHX	347	246150	32.48	229131	33.07	209870	33.34	187141	33.28						
	132M616	AHX	347	208265	21.32	195044	22.83	181933	23.95	167703	24.71	129256	25.36				
13,000 FPM	132M416	AHX	376	209770	20.76	193049	21.85	174516	22.77	154972	23.32	88544	21.92				
	132M418	AHX	376	222043	24.86	206117	25.74	189872	26.37	171078	26.70	117032	25.51				
	132M420	AHX	376	239399	29.59	224560	30.23	208535	30.93	190737	31.50	140283	31.21				
	132M422	AHX	376	254770	35.12	239429	35.73	223348	36.31	205137	36.63	151367	34.80				
	132M424	AHX	376	269296	41.19	247297	42.10	231004	42.38	217965	42.45	165579	41.20				
	132M616	AHX	376	227803	26.80	215560	28.53	203527	29.88	191019	30.93	161609	32.04	108583	31.58		
14,000 FPM	132M412	AHX	405	187130	17.17	172696	18.14	156780	18.96	139021	19.53	92416	18.78				
	132M414	AHX	405	207768	21.19	193016	22.35	176617	23.22	159182	23.93	113597	23.44				
	132M416	AHX	405	228255	25.75	213203	26.93	196272	28.03	178887	28.83	135790	28.98				
	132M418	AHX	405	241561	30.89	226679	31.90	212020	32.67	195803	33.20	156312	33.09				
	132M420	AHX	405	259984	36.86	246409	37.55	231959	38.30	216295	38.99	178322	39.65				
	132M612	AHX	405	204862	22.36	194545	23.73	183547	25.12	171471	26.34	141743	27.18	108353	28.59		
15,000 FPM	132M410	AHX	434	180346	16.78	167490	17.61	153652	18.49	137658	19.11	100956	18.97	46848	17.26		
	132M412	AHX	434	202428	20.96	189201	22.03	174816	22.97	159078	23.73	122110	23.91				
	132M414	AHX	434	224574	25.87	211104	27.17	196215	28.18	180428	29.03	144277	29.66				
	132M416	AHX	434	246565	31.50	232828	32.77	217510	34.00	201386	35.01	166166	35.99	101767	33.70		
	132M418	AHX	434	260927	37.82	246994	38.96	233355	39.87	219113	40.56	185311	41.06	134726	39.21		
	132M610	AHX	434	198155	22.31	189244	23.46	179398	24.70	168228	25.98	139278	26.68				
15,000 FPM	132M612	AHX	434	220908	27.29	211402	28.76	201348	30.24	190642	31.71	164630	33.11	135608	34.08	97694	34.83
	132M614	AHX	434	243695	33.26	233620	35.07	223320	36.74	212843	38.28	189388	40.30	160570	41.14	120536	41.68
	132M616	AHX	434	266469	40.47	255860	42.61	245288	44.45	234890	45.96	212776	48.16	186442	49.27	146587	49.42
	132M618	AHX	434	288355	48.97	277657	50.50	266968	51.99	256462	53.48	234545	56.09	209646	57.69	174136	57.69

REFERENCE: Angle Setting @ 5/6 Radius

BHP shown does not include drive loss.

Size 144

FPM	CATALOG NUMBER			CUBIC FEET PER MINUTE & HORSEPOWER AT STATIC PRESSURE													
	PROP	FAN TYPE	RPM	1/8" SP		1/4" SP		3/8" SP		1/2" SP		3/4" SP		1" SP		1 1/4" SP	
				CFM	BHP	CFM	BHP	CFM	BHP	CFM	BHP	CFM	BHP	CFM	BHP	CFM	BHP
11,000 FPM	144M416	AHX	292	205164	15.34	179950	16.36	152391	16.91	112398	16.34						
	144M418	AHX	292	217494	18.26	195123	19.00	168795	19.33	136423	18.97						
	144M420	AHX	292	235613	21.59	213829	22.28	188831	22.86	156108	22.85						
	144M422	AHX	292	250879	25.59	228760	26.20	203203	26.52	167632	25.73						
	144M424	AHX	292	265596	30.03	236617	30.64	215992	30.71	181594	30.25						
	144M616	AHX	292	224824	19.92	207790	21.44	190206	22.49	170271	23.05	88560	22.53				
	144M618	AHX	292	243874	23.66	226648	24.97	209195	26.17	189901	26.98	119223	26.63				
	144M620	AHX	292	264544	28.80	247214	30.31	228547	31.49	207706	32.32	139792	31.55				
12,000 FPM	144M622	AHX	292	281056	33.95	264338	35.44	246725	36.73	226670	37.49	163447	36.79				
	144M624	AHX	292	299065	39.94	283259	41.53	265214	42.76	244347	43.48	181345	42.04				
	144M416	AHX	318	227303	19.58	204918	20.76	180731	21.60	152995	21.86						
	144M418	AHX	318	240718	23.40	220287	24.29	198023	24.85	171502	24.92						
	144M420	AHX	318	260098	27.76	240593	28.49	218996	29.20	193907	29.67						
	144M422	AHX	318	276857	32.93	256855	33.60	235139	34.14	208971	34.18						
	144M424	AHX	318	292851	38.63	272592	39.33	249660	39.64	222592	39.58						
	144M616	AHX	318	247780	25.36	232043	27.14	216434	28.48	199491	29.38	153686	30.15				
13,000 FPM	144M618	AHX	318	268552	30.29	252646	31.72	236970	33.12	220247	34.25	177685	35.15				
	144M620	AHX	318	290947	36.86	275281	38.58	258700	40.01	240740	41.14	196586	42.18				
	144M622	AHX	318	308845	43.52	293695	45.20	277900	46.70	260986	47.92	218106	48.46				
	144M624	AHX	318	328232	51.24	314090	53.04	298447	54.55	280723	55.67	236953	56.01				
	144M412	AHX	345	204528	16.55	185616	17.59	164358	18.41	140040	18.71						
	144M414	AHX	345	227314	20.43	207888	21.63	186388	22.53	162680	23.05						
	144M416	AHX	345	249921	24.78	230049	26.07	208018	27.17	184802	27.84	106587	26.17				
	144M418	AHX	345	264542	29.67	245606	30.72	226302	31.47	203980	31.86	140322	30.49				
14,000 FPM	144M420	AHX	345	285214	35.31	267574	36.08	248530	36.91	227385	37.59	167731	37.27				
	144M612	AHX	345	224809	21.56	211390	23.07	196875	24.60	179888	25.53	140274	26.43				
	144M614	AHX	345	248102	26.29	234105	28.08	219780	29.70	204217	30.92	166075	31.92				
	144M616	AHX	345	271395	31.99	256838	34.04	242531	35.66	227669	36.91	192764	38.23	130130	37.71		
	144M618	AHX	345	293952	38.40	279270	39.96	264795	41.50	250074	42.93	216680	44.76	160384	44.40		
	144M620	AHX	345	318125	46.71	303870	48.64	288918	50.32	273130	51.71	237293	53.57	184965	53.53		
	144M410	AHX	371	198062	16.31	181449	17.27	162842	18.15	141227	18.59	86582	17.80				
	144M412	AHX	371	222528	20.39	205336	21.55	186375	22.52	165215	23.19	109597	22.29				
14,000 FPM	144M414	AHX	371	247073	25.17	229500	26.54	209965	27.58	189194	28.42	134795	27.83				
	144M416	AHX	371	271437	30.59	253507	31.99	233339	33.30	212632	34.24	161192	34.41				
	144M418	AHX	371	287261	36.68	269539	37.89	252079	38.81	232754	39.43	185683	39.30				
	144M610	AHX	371	218488	21.69	206872	22.98	193748	24.43	177988	25.50	141248	26.00				
	144M612	AHX	371	243622	26.55	231334	28.18	218234	29.84	203844	31.29	168423	32.28	128599	33.96		
	144M614	AHX	371	268797	32.37	255868	34.34	242663	36.15	228931	37.73	196755	39.33	154701	40.37		
	144M616	AHX	371	293966	39.39	280427	41.69	267033	43.59	253652	45.11	224059	47.02	183594	47.85		
	144M618	AHX	371	318241	47.49	304588	49.18	291024	50.83	277601	52.46	248551	54.95	211245	55.85		

REFERENCE: Angle Setting @ 5/6 Radius

BHP shown does not include drive loss.



L4 and L6 Blade

Alternate "L" Blade Design

The versatility of Aerovent fan designs makes possible many variations due to interchangeability of fan blades with hubs. Standard permanent mold hubs are used with Aerovent Model "L" fan blades which are wider and therefore have somewhat different performance characteristics and broaden the range of adjustable fan applications. The "L" (low speed) fans are available

in 4 and 6 blade configurations and five sizes – 54" through 96" diameter. Typical performance data is available in curve form upon request, or Aerovent will furnish a computer printout and curve to meet your specific performance requirement, in either English or metric units. Angle settings are measured at 2/3 fan radius.

Size 54

FPM	CATALOG NUMBER		CUBIC FEET PER MINUTE & HORSEPOWER AT STATIC PRESSURE														
			1/8" SP		1/4" SP		3/8" SP		1/2" SP		3/4" SP		1" SP		1 1/4" SP		
	PROP	FAN TYPE	RPM	CFM	BHP	CFM	BHP	CFM	BHP	CFM	BHP	CFM	BHP	CFM	BHP	CFM	BHP
11,000 FPM	54L416	AHX	778	30104	3.67	27901	3.80	25329	3.89	17709	3.74						
	54L418	AHX	778	32904	4.34	30583	4.43	27768	4.45	20074	4.30						
	54L420	AHX	778	35862	4.87	33461	5.02	30645	5.11	23182	4.99						
	54L422	AHX	778	38600	5.67	36308	5.81	33726	5.92	26370	5.78						
	54L424	AHX	778	41475	6.57	39273	6.68	36845	6.76	29487	6.69						
	54L616	AHX	778	32075	4.82	30371	4.99	28520	5.14	23983	5.34	15934	5.28				
12,000 FPM	54L618	AHX	778	34866	5.56	33189	5.75	31442	5.89	26922	6.05						
	54L620	AHX	778	38400	6.32	36715	6.53	34957	6.71	30425	6.92	21657	6.82				
	54L622	AHX	778	41178	7.34	39275	7.59	37257	7.79	32447	7.98	24273	7.81				
	54L624	AHX	778	43717	8.41	41956	8.64	40065	8.83	35217	8.97	26190	8.64				
	54L416	AHX	849	33579	4.71	31635	4.86	29500	4.99	24062	5.04						
	54L418	AHX	849	36656	5.57	34635	5.72	32361	5.78	26342	5.70						
13,000 FPM	54L420	AHX	849	39900	6.27	37823	6.44	35473	6.58	29576	6.61						
	54L422	AHX	849	42900	7.30	40842	7.46	38669	7.61	33135	7.68						
	54L424	AHX	849	46000	8.50	44027	8.62	41953	8.72	36656	8.81	28023	8.48				
	54L616	AHX	849	35572	6.18	34052	6.38	32440	6.56	28759	6.84	23754	6.96				
	54L618	AHX	849	38623	7.14	37100	7.36	35551	7.54	32008	7.79	26723	7.89				
	54L620	AHX	849	42475	8.12	40960	8.36	39392	8.57	35870	8.91	30607	8.98				
14,000 FPM	54L622	AHX	849	45579	9.42	43870	9.71	42086	9.96	38117	10.32	33255	10.36				
	54L624	AHX	849	48292	10.83	46727	11.09	45063	11.32	41294	11.66	35700	11.53				
	54L416	AHX	920	36989	5.93	35235	6.10	33376	6.26	28953	6.46	22930	6.28				
	54L418	AHX	920	40332	7.00	38532	7.21	36572	7.32	31699	7.33	25297	7.17				
	54L420	AHX	920	43860	7.91	42021	8.10	39990	8.27	35134	8.45	28861	8.29				
	54L422	AHX	920	47131	9.23	45259	9.40	43325	9.58	38860	9.80	32694	9.64				
15,000 FPM	54L424	AHX	920	50458	10.76	48675	10.90	46814	11.02	42612	11.20	36483	11.14				
	54L616	AHX	920	39018	7.78	37644	8.01	36203	8.22	33041	8.57	29240	8.81	23755	8.81		
	54L618	AHX	920	42332	8.99	40944	9.25	39524	9.47	36532	9.79	32738	9.99	26804	10.02		
	54L620	AHX	920	46500	10.24	45125	10.50	43698	10.75	40695	11.17	36894	11.42	30831	11.36		
	54L622	AHX	920	49923	11.87	48374	12.20	46763	12.49	43323	12.96	39257	13.19	34663	13.14		
	54L624	AHX	920	52815	13.67	51404	13.96	49915	14.23	46685	14.68	42640	14.87	36440	14.52		
16,000 FPM	54L416	AHX	990	40302	7.34	38699	7.51	37025	7.69	33260	7.98	28499	8.01				
	54L418	AHX	990	43905	8.64	42276	8.89	40531	9.06	36492	9.18	31189	9.06	24202	8.80		
	54L420	AHX	990	47710	9.79	46049	10.00	44253	10.19	40125	10.49	34942	10.50	28383	10.23		
	54L422	AHX	990	51252	11.45	49538	11.63	47767	11.81	43955	12.15	39083	12.19	32478	11.85		
	54L424	AHX	990	54803	13.36	53175	13.51	51476	13.65	47851	13.88	43192	13.98	36340	13.71		
	54L616	AHX	990	42378	9.62	41122	9.87	39813	10.10	37010	10.51	33812	10.83	29882	11.02	23990	10.93
17,000 FPM	54L618	AHX	990	45953	11.11	44676	11.40	43366	11.66	40686	12.05	37600	12.34	33603	12.49	27219	12.44
	54L620	AHX	990	50432	12.66	49171	12.96	47868	13.23	45160	13.72	42104	14.11	38052	14.26	31554	14.11
	54L622	AHX	990	54166	14.67	52745	15.03	51275	15.37	48186	15.94	44745	16.34	40674	16.45	36353	16.33
	54L624	AHX	990	57236	16.93	55946	17.25	54598	17.55	51713	18.09	48443	18.47	44092	18.45	37497	17.94
	54L416	AHX	1061	43624	8.98	42151	9.17	40619	9.35	37314	9.71	33346	9.90	28351	9.74		
	54L418	AHX	1061	47488	10.55	45999	10.83	44422	11.06	40921	11.27	36508	11.23	31102	11.07	23293	10.74
18,000 FPM	54L420	AHX	1061	51572	11.99	50057	12.21	48443	12.42	44821	12.80	40470	12.96	35204	12.82		
	54L422	AHX	1061	55391	14.03	53812	14.23	52179	14.42	48773	14.82	44770	15.03	39672	14.92	32788	14.50
	54L424	AHX	1061	59174	16.40	57675	16.56	56119	16.72	52853	16.99	49100	17.17	44051	17.17	36938	16.72
	54L616	AHX	1061	45758	11.76	44601	12.03	43402	12.29	40869	12.75	38075	13.14	34878	13.44	30878	13.58
	54L618	AHX	1061	49598	13.57	48416	13.90	47208	14.19	44739	14.67	42103	15.02	38929	15.27	34769	15.39
	54L620	AHX	1061	54392	15.49	53227	15.81	52029	16.11	49541	16.67	46904	17.14	43747	17.47	39580	17.55
19,000 FPM	54L622	AHX	1061	58437	17.94	57125	18.34	55774	18.71	52955	19.37	49931	19.89	46491	20.20	42541	20.25
	54L624	AHX	1061	61689	20.73	60502	21.09	59269	21.42	56652	22.02	53809	22.53	50461	22.82	45953	22.61

REFERENCE: Angle Setting @ 2/3 Radius

BHP shown does not include drive loss.

Size 60

FPM	CATALOG NUMBER			CUBIC FEET PER MINUTE & HORSEPOWER AT STATIC PRESSURE													
	PROP	FAN TYPE	RPM	1/8" SP		1/4" SP		3/8" SP		1/2" SP		3/4" SP		1" SP		1 1/4" SP	
				CFM	BHP	CFM	BHP	CFM	BHP	CFM	BHP	CFM	BHP	CFM	BHP	CFM	BHP
11,000 FPM	60L416	AHX	700	37124	4.52	34404	4.69	31226	4.80	21777	4.61						
	60L418	AHX	700	40578	5.35	37711	5.46	34231	5.48	24716	5.29						
	60L420	AHX	700	44226	6.01	41259	6.19	37781	6.29	28557	6.14						
	60L422	AHX	700	47602	6.98	44772	7.16	41580	7.29	32487	7.12						
	60L424	AHX	700	51148	8.10	48430	8.23	45430	8.32	36328	8.24						
	60L616	AHX	700	39585	5.94	37481	6.16	35194	6.34	29588	6.59	19644	6.51				
	60L618	AHX	700	43030	6.86	40958	7.09	38800	7.26	33217	7.47						
	60L620	AHX	700	47393	7.80	45312	8.05	43140	8.28	37539	8.53	26699	8.42				
	60L622	AHX	700	50821	9.05	48470	9.36	45977	9.61	40035	9.85	29901	9.63				
60L624	AHX	700	53953	10.37	51779	10.65	49443	10.89	43453	11.07	32289	10.65					
12,000 FPM	60L416	AHX	764	41418	5.80	39019	5.99	36382	6.15	29664	6.21						
	60L418	AHX	764	45214	6.86	42720	7.05	39910	7.12	32475	7.03						
	60L420	AHX	764	49215	7.73	46651	7.93	43749	8.11	36466	8.15						
	60L422	AHX	764	52916	9.00	50375	9.20	47693	9.38	40856	9.47						
	60L424	AHX	764	56739	10.47	54304	10.62	51743	10.75	45200	10.86	34529	10.45				
	60L616	AHX	764	43910	7.63	42033	7.87	40043	8.10	35496	8.45	29314	8.59				
	60L618	AHX	764	47676	8.81	45795	9.09	43882	9.31	39506	9.62	32978	9.73				
	60L620	AHX	764	52431	10.02	50560	10.31	48624	10.58	44274	11.00	37773	11.08				
	60L622	AHX	764	56262	11.62	54153	11.98	51949	12.29	47047	12.73	41046	12.79				
60L624	AHX	764	59611	13.36	57679	13.68	55623	13.97	50969	14.39	44059	14.23					
13,000 FPM	60L416	AHX	828	45633	7.32	43468	7.52	41173	7.72	35711	7.96	28270	7.74				
	60L418	AHX	828	49758	8.64	47536	8.89	45115	9.02	39098	9.03	31193	8.84				
	60L420	AHX	828	54109	9.76	51838	9.98	49331	10.20	43335	10.42	35591	10.23				
	60L422	AHX	828	58144	11.39	55833	11.59	53445	11.81	47933	12.08	40318	11.88				
	60L424	AHX	828	62248	13.27	60048	13.44	57750	13.59	52562	13.81	44992	13.74				
	60L616	AHX	828	48171	9.61	46475	9.89	44696	10.14	40791	10.57	36098	10.87	29327	10.88		
	60L618	AHX	828	52262	11.10	50548	11.42	48795	11.69	45101	12.09	40414	12.33	33090	12.37		
	60L620	AHX	828	57408	12.64	55711	12.97	53949	13.27	50240	13.80	45548	14.10	38064	14.03		
	60L622	AHX	828	61635	14.65	59722	15.06	57733	15.42	53485	16.01	48465	16.29	42794	16.22		
60L624	AHX	828	65204	16.88	63460	17.24	61622	17.57	57635	18.13	52642	18.36	44986	17.92			
14,000 FPM	60L416	AHX	891	49720	9.05	47741	9.26	45676	9.48	41026	9.84	35146	9.88				
	60L418	AHX	891	54165	10.66	52154	10.96	50001	11.17	45014	11.32	38464	11.17	29828	10.85		
	60L420	AHX	891	58858	12.07	56807	12.33	54591	12.57	49496	12.94	43096	12.95	34991	12.62		
	60L422	AHX	891	63227	14.12	61112	14.34	58926	14.57	54220	14.98	48204	15.03	40046	14.61		
	60L424	AHX	891	67609	16.48	65600	16.66	63502	16.83	59028	17.12	53274	17.23	44809	16.91		
	60L616	AHX	891	52319	11.87	50769	12.18	49153	12.47	45692	12.97	41743	13.37	36891	13.61	29618	13.50
	60L618	AHX	891	56732	13.71	55156	14.07	53539	14.39	50229	14.88	46419	15.23	41486	15.42	33605	15.36
	60L620	AHX	891	62263	15.63	60706	15.99	59097	16.33	55753	16.94	51980	17.42	46978	17.60	38955	17.42
	60L622	AHX	891	66873	18.11	65119	18.56	63304	18.97	59489	19.68	55241	20.17	50216	20.31	44882	20.16
60L624	AHX	891	70661	20.90	69068	21.30	67404	21.67	63843	22.33	59806	22.81	54434	22.77	46292	22.14	
15,000 FPM	60L416	AHX	955	53824	11.08	52006	11.31	50117	11.54	46037	11.98	41140	12.22	34971	12.02		
	60L418	AHX	955	58592	13.01	56755	13.36	54808	13.64	50486	13.90	45039	13.86	38366	13.66	28720	13.25
	60L420	AHX	955	63631	14.78	61760	15.06	59769	15.32	55298	15.79	49927	15.99	43426	15.82		
	60L422	AHX	955	68343	17.31	66393	17.55	64378	17.79	60174	18.28	55234	18.54	48940	18.40	40437	17.89
	60L424	AHX	955	73009	20.23	71160	20.43	69239	20.62	65208	20.95	60577	21.18	54343	21.18	45561	20.63
	60L616	AHX	955	56498	14.52	55070	14.85	53590	15.17	50463	15.75	47014	16.23	43068	16.60	38133	16.77
	60L618	AHX	955	61238	16.76	59779	17.16	58287	17.52	55240	18.11	51987	18.55	48070	18.86	42938	19.01
	60L620	AHX	955	67159	19.13	65721	19.53	64243	19.90	61171	20.59	57915	21.17	54017	21.58	48878	21.67
	60L622	AHX	955	72153	22.15	70534	22.64	68867	23.10	65386	23.92	61653	24.56	57407	24.95	52532	25.01
60L624	AHX	955	76168	25.60	74702	26.04	73180	26.45	69950	27.20	66442	27.82	62310	28.18	56746	27.92	

REFERENCE: Angle Setting @ 2/3 Radius

BHP shown does not include drive loss.



Size 72

FPM	CATALOG NUMBER			CUBIC FEET PER MINUTE & HORSEPOWER AT STATIC PRESSURE													
	PROP	FAN TYPE	RPM	1/8" SP		1/4" SP		3/8" SP		1/2" SP		3/4" SP		1" SP		1 1/4" SP	
				CFM	BHP	CFM	BHP	CFM	BHP	CFM	BHP	CFM	BHP	CFM	BHP	CFM	BHP
11,000 FPM	72L416	AHX	584	53475	6.51	49566	6.76	45000	6.92	31504	6.65						
	72L418	AHX	584	58450	7.71	54329	7.88	49334	7.90	35688	7.64						
	72L420	AHX	584	63703	8.66	59441	8.92	54446	9.08	41203	8.86						
	72L422	AHX	584	68567	10.07	64499	10.33	59915	10.51	46866	10.27						
	72L424	AHX	584	73672	11.68	69765	11.87	65455	12.01	52406	11.89						
	72L616	AHX	584	57081	8.58	54055	8.89	50769	9.16	42722	9.52	28443	9.40				
	72L618	AHX	584	62048	9.91	59069	10.24	55967	10.49	47955	10.79	33115	10.72				
	72L620	AHX	584	68337	11.26	65344	11.63	62222	11.96	54188	12.33	38667	12.16				
12,000 FPM	72L622	AHX	584	73281	13.07	69900	13.52	66316	13.88	57783	14.23	43440	13.93				
	72L624	AHX	584	77796	14.99	74669	15.39	71311	15.74	62720	15.99	46752	15.4				
	72L416	AHX	637	59615	8.35	56162	8.62	52369	8.86	42706	8.95						
	72L418	AHX	637	65077	9.88	61487	10.15	57446	10.26	46754	10.12						
	72L420	AHX	637	70834	11.13	67145	11.42	62972	11.68	52496	11.74						
	72L422	AHX	637	76163	12.96	72506	13.24	68648	13.51	58815	13.63						
	72L424	AHX	637	81665	15.08	78162	15.29	74477	15.47	65066	15.64	49725	15.04				
	72L616	AHX	637	63268	11.00	60568	11.36	57704	11.67	51165	12.18	42279	12.38				
13,000 FPM	72L618	AHX	637	68695	12.71	65988	13.11	63235	13.42	56942	13.87	47569	14.04				
	72L620	AHX	637	75545	14.45	72852	14.87	70066	15.26	63811	15.86	54477	15.99				
	72L622	AHX	637	81066	16.76	78031	17.28	74860	17.73	67808	18.36	59173	18.45				
	72L624	AHX	637	85891	19.27	83110	19.73	80153	20.15	73458	20.76	63530	20.53				
	72L416	AHX	690	65638	10.52	62521	10.81	59217	11.10	51352	11.44	40629	11.12				
	72L418	AHX	690	71572	12.41	68372	12.78	64888	12.97	56221	12.98	44836	12.70				
	72L420	AHX	690	77830	14.02	74561	14.35	70952	14.66	62318	14.98	51161	14.70				
	72L422	AHX	690	83636	16.37	80309	16.67	76871	16.97	68932	17.37	57961	17.08				
14,000 FPM	72L424	AHX	690	89539	19.08	86372	19.32	83065	19.53	75593	19.85	64682	19.75				
	72L616	AHX	690	69366	13.84	66924	14.24	64362	14.61	58740	15.23	51980	15.65	42231	15.67		
	72L618	AHX	690	75258	15.98	72790	16.44	70266	16.83	64946	17.40	58196	17.76	47650	17.81		
	72L620	AHX	690	82667	18.20	80223	18.67	77686	19.11	72347	19.87	65590	20.31	54812	20.20		
	72L622	AHX	690	88754	21.10	85999	21.68	83136	22.20	77018	23.05	69789	23.46	61623	23.36		
	72L624	AHX	690	93893	24.30	91383	24.82	88736	25.30	82995	26.10	75805	26.44	64781	25.81		
	72L416	AHX	743	71573	13.04	68727	13.34	65756	13.66	59071	14.17	50618	14.23				
	72L418	AHX	743	77972	15.35	75079	15.79	71982	16.09	64811	16.30	55395	16.09	42996	15.64		
15,000 FPM	72L420	AHX	743	84728	17.39	81778	17.76	78591	18.10	71264	18.64	62062	18.65	50419	18.18		
	72L422	AHX	743	91018	20.33	87975	20.66	84831	20.98	78063	21.58	69415	21.65	57690	21.05		
	72L424	AHX	743	97326	23.74	94435	24.00	91418	24.24	84983	24.65	76712	24.82	64550	24.36		
	72L616	AHX	743	75396	17.13	73165	17.57	70840	17.99	65863	18.71	60184	19.29	53213	19.63	42794	19.48
	72L618	AHX	743	81756	19.79	79488	20.30	77160	20.76	72399	21.47	66922	21.98	59836	22.24	48537	22.17
	72L620	AHX	743	89724	22.56	87484	23.08	85168	23.57	80359	24.44	74936	25.13	67751	25.39	56244	25.13
	72L622	AHX	743	96367	26.13	93843	26.78	91232	27.37	85744	28.39	79636	29.10	72411	29.31	64740	29.09
	72L624	AHX	743	101827	30.15	99535	30.73	97141	31.27	92017	32.22	86214	32.91	78500	32.86	66828	31.96
15,000 FPM	72L416	AHX	796	77442	15.94	74825	16.26	72105	16.59	66233	17.23	59182	17.57	50303	17.29		
	72L418	AHX	796	84300	18.71	81656	19.22	78854	19.62	72633	19.99	64792	19.93	55188	19.65	41291	19.06
	72L420	AHX	796	91550	21.27	88858	21.66	85992	22.04	79557	22.72	71827	23.00	62469	22.75		
	72L422	AHX	796	98331	24.90	95525	25.25	92625	25.59	86574	26.29	79462	26.67	70401	26.47	58153	25.73
	72L424	AHX	796	105045	29.10	102384	29.39	99620	29.66	93817	30.14	87149	30.47	78175	30.46	65531	29.67
	72L616	AHX	796	81375	20.92	79319	21.40	77189	21.86	72688	22.69	67724	23.38	62043	23.91	54942	24.16
	72L618	AHX	796	88203	24.15	86104	24.73	83956	25.25	79568	26.10	74885	26.73	69248	27.17	61867	27.39
	72L620	AHX	796	96730	27.57	94660	28.13	92532	28.67	88111	29.66	83424	30.51	77816	31.09	70420	31.23
72L622	AHX	796	103923	31.92	101592	32.63	99192	33.29	94182	34.46	88808	35.39	82697	35.95	75680	36.03	
72L624	AHX	796	109706	36.89	107595	37.52	105405	38.11	100754	39.19	95704	40.08	89759	40.60	81755	40.23	

REFERENCE: Angle Setting @ 2/3 Radius

BHP shown does not include drive loss.

Size 84

FPM	CATALOG NUMBER			CUBIC FEET PER MINUTE & HORSEPOWER AT STATIC PRESSURE													
				1/8" SP		1/4" SP		3/8" SP		1/2" SP		3/4" SP		1" SP		1 1/4" SP	
	PROP	FAN TYPE	RPM	CFM	BHP	CFM	BHP	CFM	BHP	CFM	BHP	CFM	BHP	CFM	BHP	CFM	BHP
11,000 FPM	84L416	AHX	500	72621	8.83	67290	9.16	61059	9.37	42459	9.00						
	84L418	AHX	500	79378	10.45	73758	10.67	66937	10.70	48263	10.34						
	84L420	AHX	500	86514	11.74	80701	12.09	73882	12.30	55791	12.00						
	84L422	AHX	500	93123	13.64	87577	13.99	81321	14.25	63479	13.91						
	84L424	AHX	500	100060	15.83	94734	16.08	88853	16.27	70987	16.11						
	84L616	AHX	500	77587	11.64	73462	12.07	68981	12.43	57991	12.92	38502	12.75				
	84L618	AHX	500	84339	13.45	80279	13.90	76049	14.23	65104	14.64						
	84L620	AHX	500	92889	15.28	88811	15.78	84555	16.23	73577	16.72	52330	16.50				
	84L622	AHX	500	99608	17.74	94999	18.34	90115	18.84	78468	19.30	58607	18.88				
84L624	AHX	500	105749	20.33	101487	20.88	96908	21.35	85167	21.69	63285	20.88					
12,000 FPM	84L416	AHX	546	81077	11.36	76378	11.72	71215	12.05	58062	12.16						
	84L418	AHX	546	88507	13.43	83622	13.80	78121	13.94	63564	13.76						
	84L420	AHX	546	96338	15.13	91316	15.53	85637	15.87	71375	15.95						
	84L422	AHX	546	103585	17.62	98609	18.00	93357	18.37	79971	18.53						
	84L424	AHX	546	111068	20.50	106301	20.79	101286	21.03	88473	21.26	67578	20.45				
	84L616	AHX	546	86115	14.97	82439	15.46	78542	15.89	69641	16.58	57548	16.85				
	84L618	AHX	546	93501	17.30	89817	17.84	86070	18.27	77504	18.88	64745	19.11				
	84L620	AHX	546	102825	19.67	99161	20.25	95368	20.77	86854	21.59	74148	21.76				
	84L622	AHX	546	110340	22.82	106208	23.52	101893	24.13	92294	24.99	80540	25.11				
84L624	AHX	546	116908	26.22	113122	26.86	109097	27.42	99985	28.26	86472	27.94					
13,000 FPM	84L416	AHX	591	89194	14.27	84948	14.66	80446	15.06	69722	15.52	55075	15.08				
	84L418	AHX	591	97258	16.84	92900	17.33	88151	17.60	76330	17.61	60802	17.22				
	84L420	AHX	591	105764	19.03	101310	19.47	96392	19.89	84617	20.32	69398	19.93				
	84L422	AHX	591	113655	22.21	109124	22.61	104441	23.03	93614	23.57	78634	23.16				
	84L424	AHX	591	121678	25.88	117364	26.21	112859	26.50	102670	216.92	87765	26.78				
	84L616	AHX	591	94336	18.79	91010	19.34	87520	19.84	79857	20.68	70638	21.26	57302	21.28		
	84L618	AHX	591	102350	21.71	98989	22.33	95551	22.87	88300	23.64	79094	24.12	64678	24.19		
	84L620	AHX	591	112428	24.72	109099	25.36	105643	25.96	98367	26.99	89147	27.58	74404	27.42		
	84L622	AHX	591	120705	28.66	116953	29.45	113051	30.16	104716	31.31	94859	31.86	83734	31.73		
84L624	AHX	591	127698	33.01	124278	33.72	120671	34.36	112847	35.46	103036	35.90	87963	35.04			
14,000 FPM	84L416	AHX	637	97369	17.74	93498	18.15	89455	18.58	80358	19.28	68858	19.36				
	84L418	AHX	637	106073	20.88	102137	21.48	97924	21.88	88168	22.17	75357	21.88	58485	21.27		
	84L420	AHX	637	115264	23.66	111251	24.15	106915	24.62	96945	25.35	84426	25.37	68585	24.73		
	84L422	AHX	637	123823	27.66	119683	28.10	115405	28.54	106197	29.35	94430	29.45	78477	28.63		
	84L424	AHX	637	132403	32.29	128470	32.65	124365	32.98	115610	33.54	104357	33.77	87810	33.14		
	84L616	AHX	637	102648	23.33	99612	23.94	96449	24.50	89676	25.49	81950	26.27	72470	26.74	58311	26.53
	84L618	AHX	637	111306	26.95	108220	27.65	105053	28.28	98575	29.24	91123	29.93	81489	30.30	66131	30.20
	84L620	AHX	637	122154	30.72	119106	31.43	115955	32.10	109410	33.29	102034	34.23	92263	34.59	76621	34.23
	84L622	AHX	637	131198	35.59	127764	36.47	124211	37.28	116744	38.67	108434	39.63	98605	39.92	88169	39.62
84L624	AHX	637	138631	41.07	135513	41.86	132255	42.59	125284	43.88	117388	44.82	106899	44.76	91035	43.53	
15,000 FPM	84L416	AHX	682	105275	21.64	101712	22.08	98009	22.53	90011	23.40	80404	23.86	AHX97	23.47		
	84L418	AHX	682	114600	25.41	111000	26.10	107185	26.64	98710	27.14	88023	27.06	74934	26.68	55934	25.87
	84L420	AHX	682	124457	28.87	120791	29.41	116888	29.93	108122	30.85	97588	31.23	84835	30.88		
	84L422	AHX	682	133675	33.81	129855	34.28	125906	34.75	117666	35.70	107973	36.21	95619	35.93	78882	34.93
	84L424	AHX	682	142803	39.51	139179	39.90	135416	40.27	127514	40.92	118427	41.37	106188	41.36	88947	40.27
	84L616	AHX	682	110709	28.44	107909	29.10	105009	29.72	98879	30.85	92117	31.79	84377	32.51	74695	32.85
	84L618	AHX	682	119999	32.84	117139	33.62	114215	34.33	108240	35.48	101862	36.33	94334	36.94	84109	37.23
	84L620	AHX	682	131601	37.47	128782	38.25	125883	38.98	119863	40.32	113479	41.47	105835	42.27	95750	42.45
	84L622	AHX	682	141387	43.39	138212	44.36	134945	45.26	128121	46.85	120801	48.12	112476	48.87	102917	48.98
84L624	AHX	682	149255	50.15	146381	51.01	143399	51.82	137065	53.28	130186	54.49	122083	55.20	111167	54.69	

REFERENCE: Angle Setting @ 2/3 Radius

BHP shown does not include drive loss.



Size 96

FPM	CATALOG NUMBER			CUBIC FEET PER MINUTE & HORSEPOWER AT STATIC PRESSURE													
	PROP	FAN TYPE	RPM	1/8" SP		1/4" SP		3/8" SP		1/2" SP		3/4" SP		1" SP		1 1/4" SP	
				CFM	BHP	CFM	BHP	CFM	BHP	CFM	BHP	CFM	BHP	CFM	BHP	CFM	BHP
11,000 FPM	96L416	AHX	438	94933	11.56	87984	11.99	79865	12.27	55797	11.79						
	96L418	AHX	438	103765	13.68	96441	13.97	87557	14.01	63274	13.55						
	96L420	AHX	438	113090	15.37	105514	15.83	96632	16.10	73080	15.72						
	96L422	AHX	438	121727	17.86	114496	18.32	106345	18.65	83131	18.21						
	96L424	AHX	438	130792	20.73	123848	21.05	116185	21.30	92959	21.10						
	96L616	AHX	438	101478	15.26	96098	15.81	90257	16.29	75951	16.92	50567	16.72				
	96L618	AHX	438	110306	17.63	105010	18.21	99496	18.65	85257	19.18	58872	19.05				
12,000 FPM	96L620	AHX	438	121487	20.02	116167	20.68	110617	21.26	96334	21.91	68741	21.62				
	96L622	AHX	438	130277	23.24	124266	24.03	117896	24.68	102725	25.30	77227	24.76				
	96L624	AHX	438	138304	26.64	132746	27.36	126776	27.98	111502	28.43	83114	27.37				
	96L416	AHX	477	105631	14.75	99481	15.23	92717	15.65	75456	15.79						
	96L418	AHX	477	115312	17.45	108917	17.92	101710	18.11	82612	17.87						
	96L420	AHX	477	125518	19.65	118943	20.17	111503	20.62	92801	20.71						
	96L422	AHX	477	134961	22.89	128451	23.38	121574	23.86	104008	24.06						
13,000 FPM	96L424	AHX	477	144717	26.63	138479	27.00	131914	27.32	115088	27.61	87584	26.53				
	96L616	AHX	477	112272	19.46	107461	20.10	102358	20.66	90695	21.56	74796	21.91				
	96L618	AHX	477	121903	22.49	117082	23.20	112179	23.75	101242	24.54	84140	24.84				
	96L620	AHX	477	134062	25.58	129266	26.33	124304	27.01	113141	28.08	96402	28.28				
	96L622	AHX	477	143858	29.67	138451	30.58	132804	31.38	120227	32.49	104836	32.64				
	96L624	AHX	477	152426	34.10	147472	34.92	142202	35.65	130259	36.74	112485	36.31				
	96L416	AHX	517	116396	18.61	110849	19.12	104967	19.63	90951	20.24	71792	19.66				
14,000 FPM	96L418	AHX	517	126921	21.96	121227	22.60	115023	22.95	99571	22.96	79273	22.45				
	96L420	AHX	517	138021	24.81	132202	25.39	125775	25.94	110387	26.50	90493	25.99				
	96L422	AHX	517	148317	28.96	142399	29.49	136281	30.03	122131	30.73	102543	30.19				
	96L424	AHX	517	158791	33.75	153154	34.17	147270	34.55	133952	35.11	114455	34.92				
	96L616	AHX	517	123182	24.53	118836	25.24	114276	25.90	104262	27.00	92214	27.75	74765	27.77		
	96L618	AHX	517	133645	28.34	129253	29.15	124762	29.84	115288	30.86	103251	31.48	84399	31.57		
	96L620	AHX	517	146805	32.27	142456	33.11	137941	33.88	128432	35.22	116381	36.00	97093	35.79		
15,000 FPM	96L622	AHX	517	157613	37.40	152711	38.44	147614	39.37	136722	40.86	123841	41.58	109305	41.41		
	96L624	AHX	517	166744	43.08	162276	44.01	157564	44.85	147340	46.28	134514	46.86	114799	45.73		
	96L416	AHX	557	127002	23.10	121942	23.64	116658	24.20	104761	25.11	89707	25.20				
	96L418	AHX	557	138358	27.19	133214	27.98	127705	28.50	114940	28.87	98177	28.50	76017	27.69		
	96L420	AHX	557	150346	30.81	145101	31.46	139431	32.07	126392	33.02	110012	33.03	89231	32.19		
	96L422	AHX	557	161509	36.03	156099	36.60	150507	37.18	138465	38.23	123064	38.35	102167	37.28		
	96L424	AHX	557	172705	42.05	167565	42.52	162199	42.95	150751	43.68	136014	43.98	114320	43.14		
16,000 FPM	96L616	AHX	557	133970	30.41	130002	31.20	125867	31.94	117012	33.23	106906	34.25	94493	34.85	75907	34.58
	96L618	AHX	557	145271	35.13	141236	36.05	137097	36.87	128628	38.12	118879	39.02	106260	39.49	86115	39.36
	96L620	AHX	557	159431	40.05	155446	40.97	151327	41.84	142771	43.40	133120	44.62	120324	45.08	99813	44.62
	96L622	AHX	557	171234	46.40	166745	47.54	162101	48.60	152340	50.41	141471	51.67	128611	52.04	114962	51.64
	96L624	AHX	557	180937	53.54	176861	54.56	172602	55.52	163488	57.20	153159	58.43	139419	58.34	118608	56.73
	96L416	AHX	597	137487	28.28	132836	28.85	128003	29.44	117564	30.57	105028	31.17	89235	30.66		
	96L418	AHX	597	149665	33.19	144966	34.10	139988	34.81	128928	35.47	114982	35.36	97904	34.85	73139	33.81
17,000 FPM	96L420	AHX	597	162537	37.73	157752	38.43	152659	39.10	141219	40.30	127472	40.80	110832	40.35		
	96L422	AHX	597	174575	44.17	169589	44.79	164435	45.40	153680	46.64	141034	47.32	124915	46.95	103097	45.64
	96L424	AHX	597	186496	51.62	181766	52.14	176854	52.62	166541	53.47	154683	54.05	138718	54.03	116225	52.62
	96L616	AHX	597	144666	37.19	141011	38.05	137225	38.87	129222	40.34	120398	41.57	110299	42.51	97675	42.96
	96L618	AHX	597	156805	42.94	153072	43.96	149254	44.89	141454	46.40	133130	47.51	123821	48.29	109985	48.69
	96L620	AHX	597	171964	49.01	168285	50.01	164500	50.97	156640	52.73	148308	54.23	138338	55.27	125191	55.52
	96L622	AHX	597	184753	56.74	180609	58.00	176343	59.18	167436	61.27	157881	62.92	147018	63.90	134543	64.06
96L624	AHX	597	195033	65.58	191281	66.70	187387	67.76	179120	69.67	170141	71.26	159572	72.18	145341	71.52	

REFERENCE: Angle Setting @ 2/3 Radius

BHP shown does not include drive loss.



©2013 Aerovent

Catalog illustrations cover the general appearance of products at the time of publication, and we reserve the right to make changes in design and construction at any time without notice.

**PROPELLER FANS | TUBEAXIAL & VANEAXIAL FANS | CENTRIFUGAL FANS & BLOWERS | ROOF VENTILATORS
INDUSTRIAL AIR HANDLERS | AIR MAKE-UP | FIBERGLASS FANS | CUSTOM FANS**



AEROVENT
A Twin City Fan Company

Aerovent

WWW.AEROVENT.COM

5959 Trenton Lane N | Minneapolis, MN 55442 | Phone: 763-551-7500 | Fax: 763-551-7501