



The Industrial Choice.



FIBERGLASS PRESSURE BLOWER

Series 14

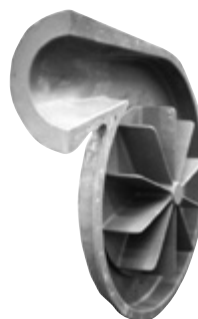
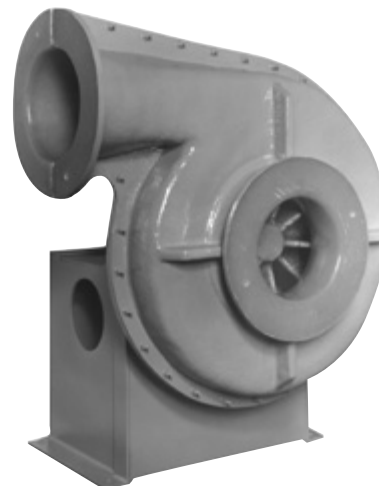
Series 14 Fiberglass Pressure Blower

Aerovent Series 14 Fiberglass Pressure Blowers are recommended for relatively small, but constant, volumes of air at high static pressure.

All airstream parts are constructed of fiberglass reinforced plastic, with excellent corrosion resistance to most chemicals. The radial type wheel is resin transfer molded (RTM) from a resin-glass mixture providing optimal strength and corrosion resistance. All wheels are dynamically and statically balanced after testing.

Belt driven Arrangement 1 or direct drive Arrangement 8 are available and are supplied with heavy-gauge steel bases, finished with two coats of light grey epoxy paint. Arrangement 1 can be furnished with a slide rail base for ease in adjusting belt tension.

Aerovent recommends an Arrangement 1 furnished with an optional steel unitary base constructed of structural channel and finished with two coats of light grey epoxy paint. This configuration allows assembly of the fan, motor, and drive as an integral unit.



Wheel

Cast from a resin-glass mixture providing optimal strength and corrosion resistance.



Accessories

Belt Guard

The belt guard is made of mild steel and is available for all Arrangement 1 sizes.

Coupling Guard

The coupling guard is made of mild steel and is available for all Arrangement 8 sizes.

Shaft and Bearing Guard

The mild steel shaft and bearing guard is available on Arrangements 1 and 8.

Housing Drain

The housing drain is provided with 1" PVC pipe located at the low point of the scroll.

Flanged Inlet and Outlet

The heavy fiberglass flanged inlet and outlet are standard. Drilling of holes in the flange is available as an option.

Shaft Seal

The Viton shaft seal rides against a heavy Teflon wear plate. It is suitable for operation up to 225°F.



Graphite Impregnation

Static grounding by graphite impregnation is available as an option.

316 Stainless Steel Fan Shaft

A 316SS shaft is available as an option.

Special Fiberglass Materials

Dow vinyl ester, Nexus veil, and fire-retardant resin are available as options.

Temperature and Altitude Correction For Air Density Ratios

The performance tables in this bulletin are based on standard air density: 70°F at sea level (0.075 lbs./cu.ft. density). The fan performance tables provide the fan RPM and brake horsepower requirements for the given CFM and static pressure, at standard air density.

When the fan performance is not at standard conditions, the performance must be converted to standard conditions before entering the fan performance tables. The fan performance is converted to standard conditions by using the “Temperature and Altitude Density Ratio” from Table 1 shown below.

The following is an example explaining how to convert the fan’s performance to standard conditions.

Example: A Size 22/10 HPBF is to provide 2,200 CFM at 12" SP, at 200°F at 2,000 ft. elevation (0.056 lbs./cu. ft. density).

- For 200°F and 2,000 ft. elevation, Table 1 shows a density ratio of 0.747.
- The operating static pressure is 12" SP.
- Using the temperature and altitude density ratio, the static pressure at standard conditions is determined as follows:

$$\frac{\text{Operating Static Pressure}}{\text{Temp. \& Alt. Density Ratio}} = \text{Static Pressure at Standard Conditions}$$

For this example:

$$12" \text{ SP} \div 0.747 = 16" \text{ SP at Standard Conditions}$$

Turn to page 5 for the Size 22/10 HPBF fan performance table. Using 2,200 CFM at 16" SP at standard conditions, find the RPM and brake horsepower. The answer is 2,471 RPM and 9.03 BHP. **Note:** 9.03 BHP is the brake horsepower required at standard conditions and is also referred to as the “cold brake horsepower” or “starting brake horsepower.”

The actual brake horsepower at the operating condition of 200°F and 2,000 ft. elevation is determined by the following equation:

$$\text{Brake HP at Standard Conditions} \times \text{Temp. \& Alt. Density Ratio} = \text{Brake HP at Operating Conditions}$$

For this example:

$$9.03 \times 0.747 = 6.75 \text{ BHP at Operating Conditions}$$

Therefore, the Size 22/10 HPBF fan providing 2,200 CFM at 12" SP, at 200°F will run at 2,471 RPM and will require 6.75 BHP at operating conditions and 9.03 BHP at starting.

Maximum Safe Speeds

When operating at temperatures other than 70°F, the maximum speed of the fan is affected. To determine the maximum speed, at the operating temperature, a “Maximum Safe Speed Factor” (Table 3) is applied to the maximum speed of the fan (Table 2).

Example: The maximum safe speed for a Size 22/10 HPBF operating at 200°F is 3,600 RPM. The calculation is shown below.

$$\text{Max. RPM at 70°F (Table 2)} \times \text{Temp. Factor (Table 3)} = \text{Max. RPM at Operating Temp.}$$

For this example:

$$3,600 \times 0.85 = 3,060 \text{ Max. RPM at 200°F}$$

Table 2. Max. Safe Speeds (at 70°F)

SIZE	MAX. RPM
18/8	4000
22/10	3600
28/12	2500

Table 3. Max. Safe Speed Factors

TEMP.	FACTOR
150°F	1.00
200°F	0.85
225°F	0.60

Table 4. Metric Conversion Factors

	ENGLISH	FACTOR	METRIC
VOL. FLOW	CFM	.000472	m³/s
PRESSURE	SP	.24836	kPa
POWER	BHP	.74570	bkW
VELOCITY	FPM	.00508	m/s
DENSITY	lbs/ft³	16.018	kg/m³
SPEED	RPM	.01667	rps
AREA	ft²	.09290	m²
CIRCUMFERENCE	ft.	.30480	m
DIAMETER	in.	25.4	mm

Table 1. Temperature and Altitude Density Ratios

AIR TEMP °F	ALTITUDE IN FEET ABOVE SEA LEVEL											
	0	1000	2000	3000	4000	5000	6000	7000	8000	9000	10000	15000
	BAROMETRIC PRESSURE IN INCHES OF MERCURY											
	29.92	28.86	27.82	26.82	25.84	24.90	23.98	23.09	22.22	21.39	20.58	16.89
-50	1.293	1.247	1.201	1.159	1.116	1.076	1.036	.997	.960	.924	.889	.729
0	1.152	1.111	1.071	1.032	.995	.959	.923	.889	.856	.824	.792	.650
50	1.039	1.003	.967	.932	.897	.864	.833	.801	.772	.743	.715	.586
70	1.000	.964	.930	.896	.864	.832	.801	.772	.743	.714	.688	.564
100	.946	.912	.880	.848	.818	.787	.758	.730	.703	.676	.651	.534
150	.869	.838	.808	.770	.751	.723	.696	.671	.646	.620	.598	.490
200	.803	.774	.747	.720	.694	.668	.643	.620	.596	.573	.552	.453
250	.747	.720	.694	.669	.645	.622	.598	.576	.555	.533	.514	.421

Performance Data

HPBF Size 18/8 Fiberglass High Pressure Blower

Wheel Dia.: 18"

Tip Speed, FPM = 4.71 x Fan RPM

Outlet Dia.: 8"

Max. RPM 4000

CFM	OV	4" SP		6" SP		8" SP		10" SP		12" SP		14" SP		16" SP	
		RPM	BHP	RPM	BHP	RPM	BHP	RPM	BHP	RPM	BHP	RPM	BHP	RPM	BHP
175	500	1426	0.32												
350	1000	1413	0.42	1732	0.68	2004	0.99	2245	1.34	2464	1.72	2665	2.13	2852	2.56
525	1500	1440	<u>0.58</u>	1739	0.89	1999	1.23	2234	1.59	2448	1.98	2647	2.41	2832	2.87
700	2000	1498	0.80	1780	1.17	2026	1.56	2248	1.98	2454	2.41	2645	2.85	2826	3.32
875	2500	1579	1.07	1842	1.50	2077	1.96	2290	2.43	2486	2.92	2669	3.43	2842	3.96
1050	3000	1678	1.42	1923	1.91	2143	2.42	2348	2.96	<u>2537</u>	<u>3.52</u>	2714	4.09	2881	4.67
1225	3500	1791	1.86	2018	2.40	2226	2.97	2419	3.57	2600	4.19	2771	4.82	<u>2933</u>	<u>5.47</u>
1400	4000	1913	2.40	2128	3.01	2322	3.64	2505	4.29	2677	4.97	2840	5.66	2997	6.38
1575	4500	2041	3.06	2245	3.74	2430	4.43	2602	5.14	2766	5.87	2922	6.62	3071	7.38
1750	5000	2176	3.86	2368	4.59	2545	5.35	2710	6.13	2865	6.91	3014	7.71	3158	8.54
1925	5500	2313	4.78	2497	5.60	2666	6.42	2825	7.27	2974	8.12	3116	8.98	3252	9.84
2100	6000	2454	5.86	2631	6.77	2792	7.65	2944	8.55	3088	9.47	3225	10.40	3357	11.34

CFM	OV	18" SP		20" SP		22" SP		24" SP		26" SP		28" SP		30" SP	
		RPM	BHP	RPM	BHP	RPM	BHP	RPM	BHP	RPM	BHP	RPM	BHP	RPM	BHP
175	500														
350	1000	3029	3.02	3196	3.51										
525	1500	3007	3.35	3172	3.86	3330	4.39	3480	4.93	3625	5.51	3765	6.10	3899	6.70
700	2000	2997	3.82	3160	4.34	3315	4.88	3464	5.45	3608	6.05	3746	6.66	3879	7.29
875	2500	3007	4.50	3165	5.05	3316	5.61	3462	6.20	3602	6.79	3738	7.41	3869	8.05
1050	3000	<u>3039</u>	<u>5.27</u>	<u>3191</u>	<u>5.88</u>	3337	6.51	3478	7.15	3614	7.80	3746	8.46	3874	9.13
1225	3500	3087	6.13	3235	6.81	3376	7.49	3513	8.19	3645	8.90	3772	9.62	3897	10.37
1400	4000	3147	7.10	3290	7.84	3428	8.59	3561	9.35	3689	10.11	3814	10.90	3935	11.69
1575	4500	3215	8.17	3354	8.97	3489	9.79	3618	10.61	3744	11.45	3865	12.29	3984	13.15
1750	5000	3296	9.38	3429	10.24	3558	11.11	3684	12.00	3807	12.90	3926	13.81		
1925	5500	3385	10.74	3514	11.66	3639	12.59	3760	13.53	3878	14.49	3993	15.46		
2100	6000	3483	12.28	3606	13.24	3728	14.24	3845	15.23	3959	16.24				

Underlined figures indicate maximum static efficiency.

HPBF Size 22/10 Fiberglass High Pressure Blower

Wheel Dia.: 22"

Tip Speed, FPM = 5.76 x Fan RPM

Outlet Dia.: 10"

Max. RPM 3600

CFM	OV	4" SP		6" SP		8" SP		10" SP		12" SP		14" SP		16" SP		18" SP	
		RPM	BHP	RPM	BHP	RPM	BHP	RPM	BHP	RPM	BHP	RPM	BHP	RPM	BHP	RPM	BHP
275	500	1157	0.39	1425	0.66												
550	1000	1139	0.56	1398	0.89	1620	1.27	1817	1.68	1996	2.12	2160	2.59	2314	3.09	2458	3.60
825	1500	1170	0.82	1405	1.23	1611	1.67	1800	2.13	1974	2.62	2136	3.15	2287	3.70	2430	4.28
1100	2000	1236	1.13	1451	1.66	<u>1643</u>	<u>2.19</u>	1818	2.73	1980	3.30	2132	3.89	2277	4.50	2415	5.12
1375	2500	1326	1.56	1522	2.12	1699	2.80	1864	3.45	2017	4.11	2161	4.78	2297	5.46	2427	6.16
1650	3000	1430	2.20	1612	2.74	1777	3.41	1928	4.22	2073	5.02	2210	5.81	<u>2340</u>	<u>6.59</u>	<u>2464</u>	<u>7.38</u>
1925	3500	1544	2.89	1713	3.72	1868	4.31	2012	5.02	2146	5.93	2274	6.89	2398	7.82	2517	8.73
2200	4000	1662	3.80	1825	4.68	1969	5.63	2105	6.30	2235	7.02	2356	7.97	2471	9.03	2583	10.13
2475	4500	1783	4.97	1940	5.82	2080	6.88	2208	7.96	2329	8.77	2447	9.44	2559	10.40	2665	11.51
2750	5000	1908	6.39	2059	7.30	2195	8.32	2318	9.51	2434	10.72	2544	11.73	2651	12.44	2755	13.29
3025	5500	2034	8.03	2181	9.09	2312	10.10	2433	11.27	2545	12.60	2650	13.93	2752	15.14	2851	16.06
3300	6000	2163	9.94	2305	11.17	2433	12.28	2550	13.41	2659	14.69	2762	16.15	2860	17.62	2954	19.00

CFM	OV	20" SP		22" SP		24" SP		26" SP		28" SP		30" SP		32" SP		34" SP		36" SP	
		RPM	BHP	RPM	BHP	RPM	BHP	RPM	BHP	RPM	BHP	RPM	BHP	RPM	BHP	RPM	BHP	RPM	BHP
275	500																		
550	1000	2595	4.15	2725	4.71	2850	5.30	2969	5.90										
825	1500	2565	4.88	2694	5.51	2817	6.15	2936	6.82	3050	7.50	3160	8.20	3267	8.93	3370	9.66	3471	10.42
1100	2000	2547	5.77	2674	6.44	2795	7.14	2912	7.85	3025	8.60	3134	9.36	3240	10.15	3342	10.94	3442	11.76
1375	2500	2552	6.90	2673	7.65	2789	8.40	2902	9.17	3012	9.96	3119	10.76	3223	11.59	3324	12.43	3422	13.28
1650	3000	<u>2584</u>	<u>8.19</u>	<u>2698</u>	<u>9.00</u>	<u>2809</u>	<u>9.83</u>	<u>2917</u>	<u>10.69</u>	3021	11.56	3123	12.45	3223	13.35	3320	14.25	3416	15.18
1925	3500	2632	9.65	2742	10.57	2849	11.49	2952	12.42	3053	13.37	3151	14.33	3246	15.29	3340	16.29	3431	17.29
2200	4000	2692	11.20	2799	12.25	2902	13.30	3001	14.33	3099	15.39	3193	16.43	3286	17.50	3376	18.57	3464	19.64
2475	4500	2767	12.70	2867	13.93	2965	15.16	3062	16.36	3156	17.54	3247	18.70	3337	19.89	3424	21.06	3510	22.24
2750	5000	2855	14.41	2950	15.63	3043	16.95	3134	18.32	3223	19.69	3311	21.05	3397	22.36	3482	23.67	3566	24.99
3025	5500	2947	16.82	3041	17.83	3131	19.04	3219	20.38	3304	21.80	3387	23.28	3469	24.78	3550	26.30		
3300	6000	3046	20.19	3136	21.09	3224	21.94	3310	23.03	3393	24.33	3474	25.76	3553	27.27				

Underlined figures indicate maximum static efficiency.

Performance shown is for installation type B: Free inlet, Ducted outlet.

Power rating (BHP) does not include drive losses.

Performance ratings do not include the effects of appurtenances in the airstream.

HPBF Size 28/12 Fiberglass High Pressure Blower

Wheel Dia.: 28"

Tip Speed, FPM = 7.33 x Fan RPM

Outlet Dia.: 12"

Max. RPM 2500

CFM	OV	4" SP		6" SP		8" SP		10" SP		12" SP		14" SP		16" SP	
		RPM	BHP	RPM	BHP	RPM	BHP	RPM	BHP	RPM	BHP	RPM	BHP	RPM	BHP
395	500														
790	1000	882	0.76												
1185	1500	895	1.10	1081	1.66	1247	2.27	1397	2.91						
1580	2000	935	1.56	1107	2.23	1260	2.94	1398	3.68	1527	4.46	1649	5.27	1765	6.12
1975	2500	994	2.16	1151	2.94	1293	3.76	1424	4.63	1545	5.51	1659	6.42	1767	7.36
2370	3000	1064	2.91	1210	3.85	1341	4.78	1463	5.74	1579	6.75	1688	7.79	1791	8.84
2765	3500	1141	3.84	1278	4.93	1402	6.02	1517	7.12	1624	8.21	1727	9.35	1826	10.52
3160	4000	1224	4.99	1353	6.22	1469	7.45	1578	8.70	1681	9.95	1778	11.20	1871	12.47
3555	4500	1312	6.38	1433	7.76	1544	9.14	1647	10.53	1744	11.92	1838	13.34	1927	14.74
3950	5000	1403	8.04	1517	9.56	1622	11.08	1721	12.63	1814	14.17	1903	15.73	1989	17.30
4345	5500	1495	9.97	1605	11.67	1705	13.34	1799	15.02	1889	16.73	1974	18.42	2056	20.13
4740	6000	1589	12.21	1695	14.09	1791	15.93	1881	17.76	1967	19.60	2049	21.44	2128	23.30

CFM	OV	18" SP		20" SP		22" SP		24" SP		26" SP		28" SP		30" SP	
		RPM	BHP	RPM	BHP	RPM	BHP	RPM	BHP	RPM	BHP	RPM	BHP	RPM	BHP
395	500														
790	1000														
1185	1500														
1580	2000	1875	6.99	1979	7.89										
1975	2500	1871	8.35	1970	9.33	2067	10.36	2161	11.42	2251	12.49	2338	13.58	2423	14.71
2370	3000	1889	9.91	1984	11.02	2075	12.14	2163	13.29	2248	14.46	2331	15.64	2413	16.87
2765	3500	1921	11.73	2011	12.93	2099	14.17	2184	15.44	2266	16.71	2345	17.99	2423	19.32
3160	4000	1961	13.76	2049	15.11	2133	16.46	2215	17.84	2294	19.22	2371	20.63	2446	22.06
3555	4500	2012	16.14	2094	17.55	2175	19.02	2254	20.51	2331	22.03	2405	23.54	2478	25.09
3950	5000	2072	18.87	2151	20.42	2227	21.96	2302	23.55	2375	25.15	2447	26.79		
4345	5500	2135	21.84	2212	23.56	2287	25.29	2359	27.00	2429	28.72	2497	30.43		
4740	6000	2204	25.16	2278	27.03	2350	28.91	2420	30.78	2489	32.68				

Underlined figures indicate maximum static efficiency.

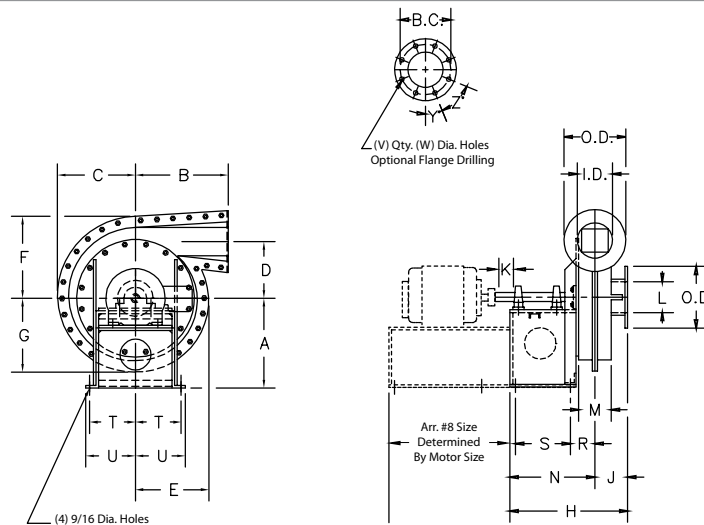
Performance shown is for installation type B: Free inlet, Ducted outlet.

Power rating (BHP) does not include drive losses.

Performance ratings do not include the effects of appurtenances in the airstream.

Dimensional Data

Arrangement 1



NOTE: Phantom drawing illustrates an Arrangement #8 Model HPBF pressure blower.

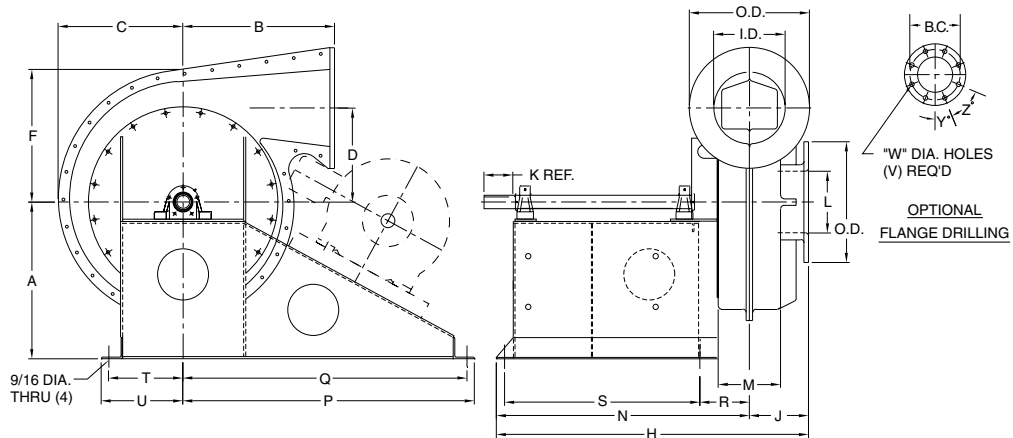
SIZE	SHAFT DIA.	A	B	C	D	a	b	c	d	E	F	G	H	J
18" - 8"	1½	18¾	17	14	10½	13¾	20½	14¾	12⅞	12½	14¾	13¼	24¼	6⅝
22" - 10"	1½	24¾	22	18¾	14⅞	17¾	31⅞	18¾	16¾	16¾	19¾	17¾	24⅞	6¾
28" - 12"	1⅝	30	28	22¾	18⅞	22	39¾	23¼	20¾	20¼	24	21½	26⅝	8

SIZE	K	L	M	N	R	S	T	U	V	W	Y	Z	B.C.	O.D.	I.D.
18" - 8"	3½	6⅞	7	17¾	4⅝	12	8¾	9⅝	8	⅞	22½	45	11¾	13½	8
22" - 10"	4	9	7⅞	17⅞	4⅞	12	11	11⅞	12	1	15	30	14¼	16	10
28" - 12"	5	12	9	18¾	5⅞	12	12¾	13¼	12	1	15	30	17	19	12

See page 7 for discharge positions.

Dimensional Data

Arrangement 9

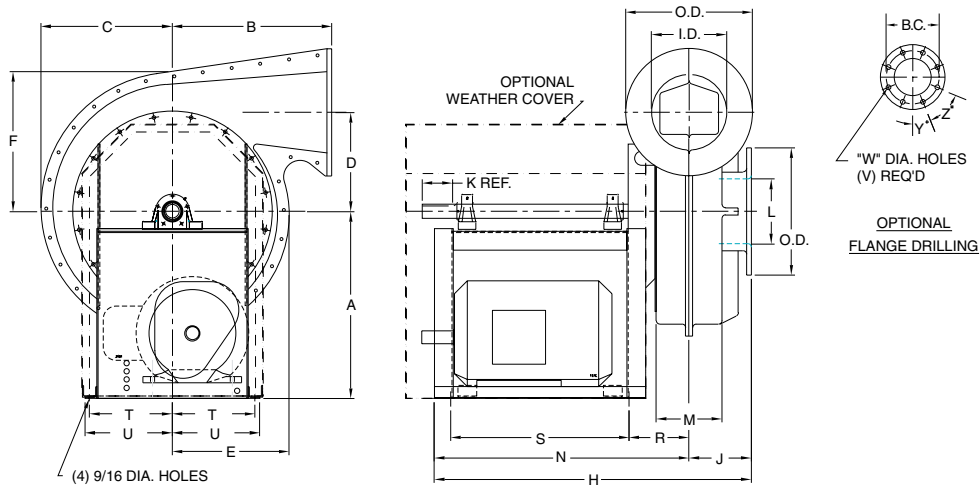


SIZE	SHAFT DIA.	A	B	C	D	a	b	c	d	E	F	G	H	J
18" - 8"	1½	18¾	17	14	10½	13⅝	20⅞	14⅜	12⅞	12½	14¾	13¼	34¼	6⅝
22" - 10"	1½	24¾	22	18¾	14⅞	17⅝	31⅞	18⅝	16⅝	16⅜	19¾	17¾	39¼	6¾
28" - 12"	1⅝	30	28	22¾	18⅞	22	39⅝	23¼	20¾	20¼	24	21½	43¼	8

SIZE	K	L	M	N	P	Q	R	S	T	U	V	W	Y	Z	O.D.	I.D.	B.C.
18" - 8"	4	6⅞	7	27⅝	34⅝	33¾	5⅞	17	8¾	9⅝	8	7⅞	22½	45	13½	8	11¾
22" - 10"	4	9	7⅞	32⅝	36⅞	35⅝	5⅜	20½	10⅜	11⅞	12	1	15	30	16	10	14¼
28" - 12"	5	12	9	35⅝	39½	38¼	6⅜	28	11¼	13	12	1	15	30	19	12	17

See page 7 for discharge positions. Please note that clockwise 45° downblast and counter-clockwise bottom horizontal discharges are not available on Arrangement 9 units.

Arrangement 10



SIZE	SHAFT DIA.	A	B	C	D	a	b	c	d	E	F	G	H	J
18" - 8"	1½	19⅞	17	14	10½	13⅝	20⅞	14⅜	12⅞	12½	14¾	13¼	33¾	6⅝
22" - 10"	1½	23¾	22	18¾	14⅞	17⅝	31⅞	18⅝	16⅝	16⅜	19¾	17¾	38¾	6¾
28" - 12"	1⅝	31⅞	28	22¾	18⅞	22	39⅝	23¼	20¾	20¼	24	21½	43⅝	8

SIZE	K	L	M	N	R	S	T	U	V	W	Y	Z	O.D.	I.D.	B.C.
18" - 8"	4	6⅞	7	27⅝	6⅞	19	8⅜	9⅝	8	7⅞	22½	45	13½	8	11¾
22" - 10"	4	9	7⅞	32	6¾	23¼	10⅞	11½	12	1	15	30	16	10	14¼
28" - 12"	5	12	9	35⅝	8⅞	24½	12⅞	13	12	1	15	30	19	12	17

See page 7 for discharge positions.

Discharge Positions

DISCHARGE POSITION		TOP HORIZONTAL	BOTTOM HORIZONTAL	UPBLAST	TOP 45 DOWN	BOTTOM 45 UP	TOP 45 UP
ROTATION	CLOCK-WISE						
	COUNTER-CLOCK-WISE						

Special construction is required for clockwise and counterclockwise downblast positions.

* Discharge position not available on Arrangement 9 units.

Typical Specifications

Fans shall be of the Fiberglass Reinforced Plastic Pressure Blower type, as manufactured by Aerovent, Minneapolis, Minnesota, and shall be of the size and capacity as indicated in the fan schedule. Centrifugal fans shall be tested in accordance with ANSI/ASHRAE 51-1985 and ANSI/AMCA 210-85 test codes and guaranteed by the manufacturer to deliver at the rated published performance levels. In addition, each unit shall be factory run tested prior to shipment.

CONSTRUCTION — All airstream components shall be fabricated of corrosion resistant fiberglass reinforced polyester resin. The radial type wheel shall be resin transfer molded from a resin-glass mixture, providing optimal strength and corrosion resistance and an extremely smooth surface to maximize aerodynamic performance. The fan housing shall be molded of fiberglass reinforced polyester.

ARRANGEMENT — The pressure blower shall be fabricated for either belt driven Arrangement 1 or direct drive Arrangement 8 configuration as indicated in the fan schedule. Where indicated on the drawings or schedules, the Arrangement 1 pressure blower may be furnished with a unitary base to allow mounting of the fan and motor on a common frame.

WHEEL — The radial type wheel is resin transfer molded (RTM) from a resin-glass mixture providing optimal strength and corrosion resistance. All wheels are dynamically and statically balanced after testing.

BEARINGS — Bearings shall be oversized to ensure maximum bearing life. The belts and sheaves furnished by the manufacturer shall be selected to provide additional allowances of 1.3 to 2 times the normal satisfactory capacity.

BALANCING — The propeller assembly shall be statically and dynamically balanced in accordance with ANSI/AMCA 204-96 "Balance Quality and Vibration Levels for Fans" to Fan Application Category BV-3, Balance Quality Grade G6.3. In addition, belt driven fan propellers shall be balanced on the fan shaft after final assembly in the fan casing, in the manufacturing facility, to the following peak velocity values, filter-in, at the fan test speed:

Fan Application Category	Rigidly Mounted - (in./s)	Flexibly Mounted - (in./s)
BV-3	0.15	0.20

MOTORS — Fan motors shall be foot mounted NEMA A Design B, standard industrial continuous duty, ball bearing (ODP, TEFC, FXCP), variable torque type suitable for operation on voltage, phase, and hertz, as listed in the fan schedule. Motor bearings shall have a minimum L-10 life, as defined by AFBMA, of at least 40,000 hours (200,000 hours average life).

FINISH — All steel parts are finished with an air dry epoxy paint. All fiberglass parts are coated inside and outside with resin (with UV inhibitor), approximately 10 mils in thickness, to seal the surface and provide a smooth, shiny finish. Optional resins and finishes include:

- ◆ Dow Vinyl Ester
- ◆ Nexus Surface Veil
- ◆ Fire-Retardant Resin

ACCESSORIES — The units shall be furnished complete with:

- ◆ Flange Drilling
- ◆ Nexus Veil
- ◆ Drain
- ◆ Belt Guard, OSHA
- ◆ Graphite Impregnation with Static Grounding
- ◆ Coupling Guard (Arrangement 1 Only)
- ◆ Viton Shaft Seal
- ◆ 316SS Shaft
- ◆ Dow Vinyl Ester
- ◆ Silica Sand Airstream
- ◆ Unitary Base
- ◆ Vibration Isolation (RIS/Spring)
- ◆ Shaft & Bearing Guard, GT Type

©2004 Aerovent

Bulletin illustrations cover the general appearance of products at the time of publication, and we reserve the right to make changes in design and construction at any time without notice.

**PROPELLER FANS | TUBEAXIAL & VANEAXIAL FANS | CENTRIFUGAL FANS & BLOWERS | ROOF VENTILATORS
INDUSTRIAL AIR HANDLERS | AIR MAKE-UP | FIBERGLASS FANS | CUSTOM FANS**



AEROVENT
A Twin City Fan Company

Aerovent®

WWW.AEROVENT.COM

5959 Trenton Lane N | Minneapolis, MN 55442 | Phone: 763-551-7500 | Fax: 763-551-7501