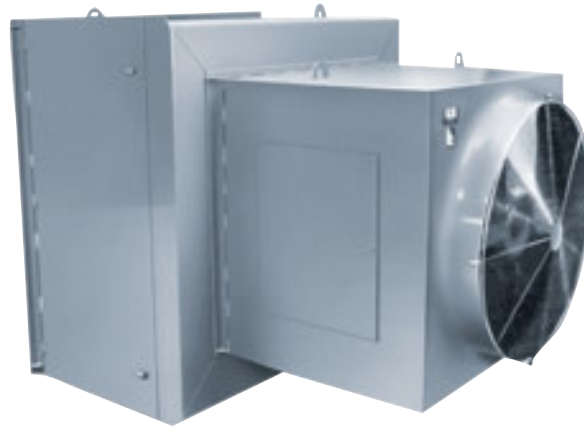




The Industrial Choice.



**Model FSWB
Wall Mounted**



**Model FSR
Roof Mounted**

FILTERED AIR SUPPLY FANS

Direct Drive & Belt Driven

Models FSR / FSWD / FSWB / FF

Filtered Air Supply Fans

Roof Mounted

FSR

FSR

The Aerovent model FSR is a roof mounted, axial flow, belted, filtered supply fan featuring Aerovent's Macheta® propeller. The FSR is specially designed with a steel hood that is well above the roofline, so it will not pick up undesirable hot air from other exhausters or from heat radiating off the roof.

A sturdy steel construction assures frame rigidity, allowing close tolerance between propeller tips and orifice, a must for optimum performance. A specially curved orifice design eliminates turbulence and produces a smooth flow of air which increases the fan's operating efficiency.

Each FSR unit features an L4 cast aluminum airfoil propeller. The high air moving capacity of the Type L Macheta® propeller allows the fan to operate at reduced speeds to meet low noise requirements. For access to the propeller the hood can be unbolted and removed.

The filters contained in this unit can be cleaned or changed without removing the hood. All units are furnished with aluminum, washable type filters. Disposable filters are also available.

Motor operated shutters and a fan disconnect switch are optional items for roof mounted units. Optional coatings, all aluminum, and all galvanized constructions are also available.

Sizes

24 to 60 inch wheel diameters

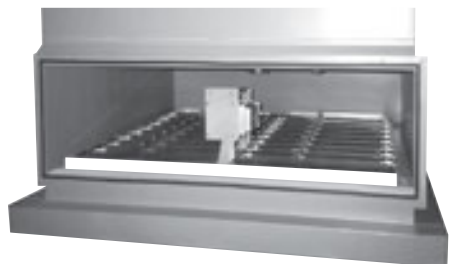
Performance

Airflow to 49,300 CFM

Static pressure to 0.75 inches w.g.



Model FSR



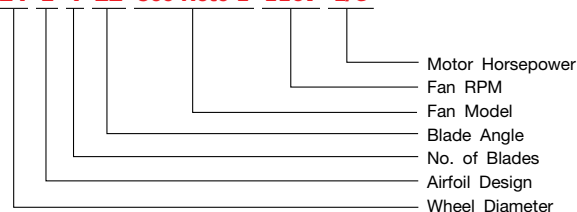
FSR Unit with Optional Motor Operated Dampers

Model Nomenclature

To identify a specific fan for ordering or engineering specification, it is necessary to show the complete catalog number. Performance data is available in curve form upon request. Capacities shown in the performance tables are for standard air conditions: 70°F at sea level (0.075 lbs./cu. ft. air density).

Note 1: Specify fan model as FSR (Roof Mounted Filtered Air Supply), FSWD (Direct Drive Wall Mounted Filtered Air Supply), FSWB (Belted Wall Mounted Filtered Air Supply), or FF (Wall Mounted Filter Fan).

24 L 4 22 See Note 1 1107 1/3



Wall Mounted

FSWD | FSWB | FF

FSWD/FSWB - Filtered Air Supply Fan

The Aerovent Wall Mounted Filtered Air Supply is an axial flow fan designed for supplying filtered air wherever it is required.

These modular constructed steel units are predrilled for ease of assembly. Each unit consists of a V-bank filter cabinet and a fan section.

The fan section includes a direct drive or belted panel fan and is supplied with a 17" x 22" gasketed access opening. Other panel fans may be selected for use based on 1/8" pressure drop for a face velocity of 520 feet per minute.

The filter cabinet contains aluminum multi-velocity permanent industrial type filters. Disposable filters are available. A filter removal door is supplied.

Sizes

24 to 60 inch wheel diameters

Performance

Airflow to 52,600 CFM

Static pressure to 1 inch w.g.

Options include

- Directional discharge grille
- Inlet weatherhood with bird screen
- PMS outlet guard
- Predrilled discharge flange
- Motor operated center pivoted shutter
- Flat inlet bird screen (no weatherhood on inlet)

FF - Filter Fan

The Aerovent Model FF Wall Mounted Filter Fan is an axial flow fan designed for supplying low volume filtered air. Each unit consists of a fan section, filter section, and a motor guard.

The fan section includes a direct drive panel fan. Panel fans are constructed of heavy-gauge steel and equipped with a statically and dynamically balanced Macheta® cast aluminum propeller. The aluminum propeller is suitable for medium temperature ranges and mildly corrosive atmospheres. Propellers are equipped with malleable iron split taper bushings to assure perfect alignment and positive locking of the propeller to the shaft.

The filter section contains a latched and hinged filter access door that covers the 2" filter channel. The filter channel is designed to accept 2" Farr 30/30 disposable filters.

Available options include an inlet bird screen, a motor-operated center pivoted type shutter, and washable filters.

Sizes

12 to 30 inch wheel diameters

Performance

Airflow to 5,370 CFM

Static pressure to 0.5 inches w.g.



Model FSWB



Model FF

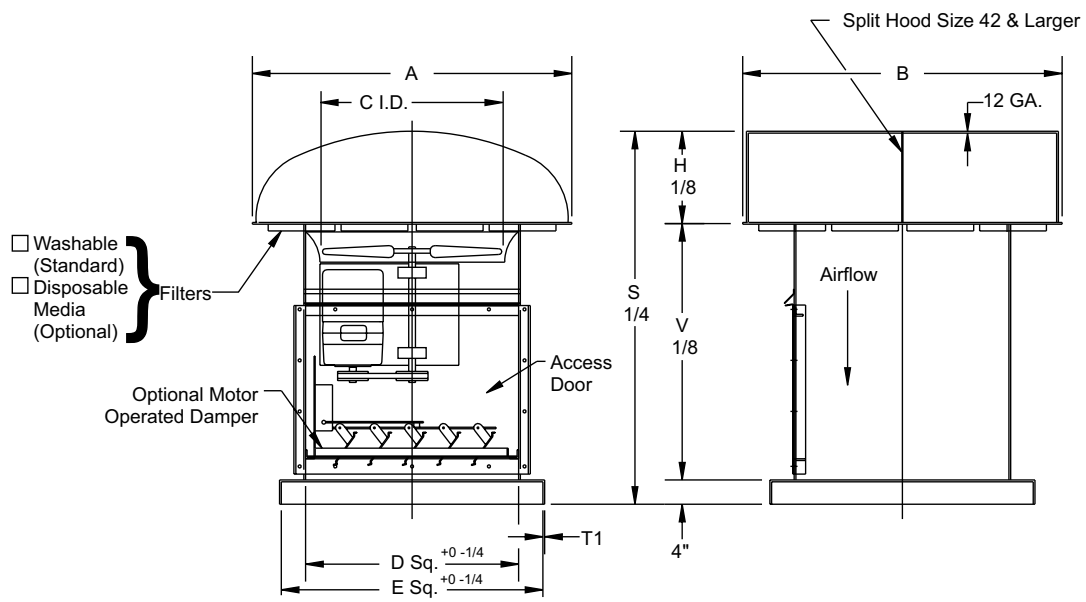


FSR Roof Mounted Filtered Air Supply

CATALOG NUMBER				CUBIC FEET PER MINUTE AND HORSEPOWER AT STATIC PRESSURE											
				0" SP		1/8" SP		1/4" SP		3/8" SP		1/2" SP		3/4" SP	
PROP	MODEL	RPM	HP	CFM	BHP	CFM	BHP	CFM	BHP	CFM	BHP	CFM	BHP	CFM	BHP
24"															
24L422	FSR	1107	1/3	4584	0.33	3759	0.36								
24L422	FSR	1267	1/2	5247	0.50	4542	0.53	3661	0.55						
24L422	FSR	1450	3/4	6004	0.75	5398	0.78	4715	0.82	3758	0.82				
24L422	FSR	1596	1	6609	1.00	6063	1.04	5470	1.08	4760	1.10				
24L422	FSR	1828	1 1/2	7570	1.50	7098	1.54	6596	1.59	6051	1.63	5406	1.65		
30"															
30L422	FSR	874	1/2	7069	0.50	5759	0.54								
30L422	FSR	1000	3/4	8088	0.75	6970	0.80	5546	0.83						
30L422	FSR	1101	1	8905	1.00	7900	1.05	6737	1.10						
30L422	FSR	1260	1 1/2	10191	1.50	9325	1.56	8382	1.62	7236	1.65				
30L422	FSR	1387	2	11218	2.00	10437	2.06	9602	2.13	8668	2.19	7479	2.21		
30L422	FSR	1587	3	12836	2.99	12159	3.07	11445	3.15	10694	3.22	9853	3.28	7350	3.25
36"															
36L422	FSR	677	1/2	9232	0.48	7355	0.54								
36L422	FSR	775	3/4	10569	0.72	8985	0.80	6852	0.83						
36L422	FSR	853	1	11632	0.96	10216	1.05	8500	1.10						
36L422	FSR	977	1 1/2	13323	1.44	12108	1.54	10740	1.63	9024	1.67				
36L422	FSR	1075	2	14660	1.92	13566	2.03	12368	2.13	10987	2.20	9181	2.22		
36L422	FSR	1231	3	16787	2.88	15842	3.01	14830	3.14	13737	3.24	12493	3.31	8546	3.25
36L422	FSR	1459	5	19896	4.79	19107	4.95	18279	5.11	17408	5.25	16488	5.37	14363	5.53
42"															
42L422	FSR	660	1	14271	0.96	12100	1.06	9143	1.11						
42L422	FSR	755	1 1/2	16325	1.43	14468	1.56	12266	1.64	8792	1.63				
42L422	FSR	831	2	17969	1.91	16302	2.05	14417	2.16	12030	2.21				
42L422	FSR	952	3	20585	2.87	19150	3.03	17586	3.18	15818	3.28	13621	3.33		
42L422	FSR	1128	5	24391	4.77	23193	4.97	21923	5.15	20569	5.31	19081	5.44	15248	5.53
48"															
48L422	FSR	528	1	17023	0.95	13856	1.07								
48L422	FSR	605	1 1/2	19506	1.43	16823	1.58	13393	1.66						
48L422	FSR	666	2	21473	1.91	19070	2.08	16234	2.19	11932	2.19				
48L422	FSR	762	3	24568	2.86	22501	3.06	20203	3.22	17438	3.31	13146	3.26		
48L422	FSR	903	5	29114	4.77	27395	5.00	25548	5.21	23536	5.39	21219	5.50		
48L422	FSR	1034	7 1/2	33337	7.16	31849	7.43	30278	7.68	28616	7.91	26826	8.10	22484	8.30
54"															
54L422	FSR	497	1 1/2	22795	1.43	19065	1.60	13680	1.65						
54L422	FSR	547	2	25089	1.91	21760	2.10	17582	2.21						
54L422	FSR	626	3	28712	2.86	25857	3.08	22585	3.25	18232	3.31				
54L422	FSR	742	5	34033	4.76	31666	5.03	29090	5.27	26179	5.44	22567	5.52		
54L422	FSR	850	7 1/2	38986	7.15	36940	7.47	34760	7.75	32424	8.01	29815	8.19	22685	8.24
54L422	FSR	935	10	42885	9.52	41035	9.87	39086	10.19	37030	10.49	34829	10.75	29577	11.03
60"															
60L422	FSR	459	2	28858	1.91	24396	2.12	18244	2.21						
60L422	FSR	525	3	33008	2.85	29192	3.10	24645	3.28	17155	3.23				
60L422	FSR	623	5	39169	4.77	36018	5.07	32535	5.34	28418	5.50	22617	5.49		
60L422	FSR	713	7 1/2	44828	7.14	42106	7.50	39175	7.82	35966	8.09	32235	8.25		
60L422	FSR	785	10	49355	9.53	46897	9.93	44288	10.30	41507	10.62	38437	10.88	30446	11.03

Performances shown are for filtered air supply fans with clean filters.

FSR Roof Mounted Filtered Air Supply



SIZE	A	B	C	D	E	H	V	S	T1	FILTERS		APPROX. WEIGHT (LBS.)
										QTY.	SIZE	
24	66 ¹ / ₂	66 ¹ / ₂	24 ¹ / ₄	28 ¹ / ₄	36 ¹ / ₄	15	35 ⁹ / ₁₆	54 ⁹ / ₁₆	14 GA.	8	16 x 20 x 2	730
30	83	83	30 ³ / ₈	36 ¹ / ₄	44 ¹ / ₄	18	39 ¹ / ₄	61 ¹ / ₄	14 GA.	14	16 x 20 x 2	1180
36	89	115	36 ³ / ₈	42 ¹ / ₄	50 ¹ / ₄	22	41 ⁵ / ₁₆	67 ⁵ / ₁₆	14 GA.	22	16 x 20 x 2	1475
42	109 ¹ / ₂	119	42 ³ / ₈	48 ¹ / ₄	56 ¹ / ₄	24	41 ⁵ / ₁₆	69 ⁵ / ₁₆	14 GA.	22	16 x 25 x 2	1820
48	125 ³ / ₄	129	48 ³ / ₈	54 ¹ / ₄	62 ¹ / ₄	24	44 ⁵ / ₁₆	72 ⁵ / ₁₆	14 GA.	28	16 x 25 x 2	2290
54	140 ³ / ₄	156 ³ / ₄	54 ³ / ₈	68 ¹ / ₄	76 ¹ / ₄	26	50 ⁹ / ₁₆	80 ⁹ / ₁₆	12 GA.	44	16 x 20 x 2	3010
60	163 ³ / ₄	178	60 ³ / ₈	75 ¹ / ₄	83 ¹ / ₄	28	50 ⁹ / ₁₆	82 ⁹ / ₁₆	12 GA.	36	20 x 25 x 2	4210

Dimensions given are in inches unless otherwise noted.
 Dimensions are not to be used for construction.

R-29134-00C
 R-29796-00B

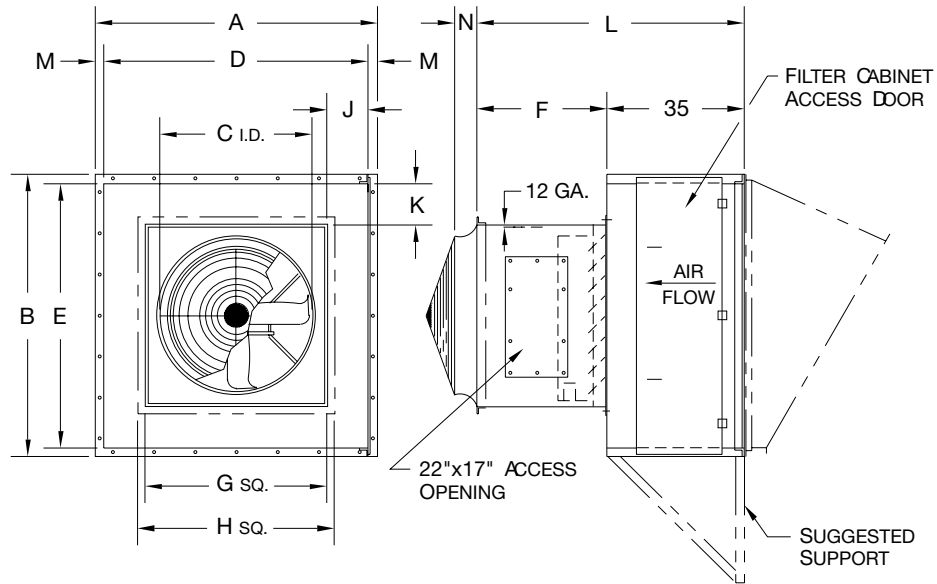


FSWD Direct Drive Wall Mounted Filtered Air Supply

CATALOG NUMBER				CUBIC FEET PER MINUTE AND HORSEPOWER AT STATIC PRESSURE													
				0" SP		1/8" SP		1/4" SP		3/8" SP		1/2" SP		3/4" SP		1" SP	
PROP	MODEL	RPM	HP	CFM	BHP	CFM	BHP	CFM	BHP	CFM	BHP	CFM	BHP	CFM	BHP	CFM	BHP
24"																	
24L232	FSWD	1160	1/3	5102	0.35	3230	0.32										
24L220	FSWD	1750	1/2	6425	0.57	5726	0.59	4851	0.59	3763	0.56						
24L225	FSWD	1750	3/4	7423	0.81	6740	0.82	5910	0.82	4819	0.79						
24L230	FSWD	1750	1	8308	1.11	7635	1.11	6864	1.09	5744	1.03						
24L428	FSWD	1160	1/2	6141	0.49	5375	0.51	4330	0.51								
24L432	FSWD	1160	3/4	6878	0.61	6109	0.61	5050	0.62								
24L420	FSWD	1750	1	7624	0.93	7192	0.97	6742	1.00	6246	1.02	5671	1.05				
24S726	FSWD	1160	1/2	5875	0.44	5295	0.48	4420	0.49								
24S728	FSWD	1160	3/4	6178	0.53	5613	0.57	4881	0.60								
24S719	FSWD	1750	1	7131	0.85	6819	0.91	6477	0.96	6096	1.01	5665	1.05	4458	1.13		
30"																	
30L226	FSWD	870	1/3	6280	0.33												
30L232	FSWD	870	1/2	7247	0.45												
30L226	FSWD	1160	3/4	9456	0.78	8007	0.78	5858	0.73								
30L232	FSWD	1160	1	10700	1.09	9322	1.06	6965	0.99								
30L418	FSWD	870	1/3	6178	0.32	4813	0.35										
30L424	FSWD	870	1/2	7787	0.49	6494	0.51										
30L432	FSWD	870	3/4	9928	0.78	8584	0.78	6398	0.80								
30L422	FSWD	1160	1	10367	0.96	9535	1.02	8566	1.07	7343	1.09						
30L428	FSWD	1160	1 1/2	12476	1.47	11604	1.52	10632	1.56	9453	1.58	7928	1.55				
30S720	FSWD	1160	1	9836	0.89	9238	0.99	8627	1.07	7879	1.15	6843	1.20				
36"																	
36L220	FSWD	870	1/2	9738	0.50	7237	0.49										
36L214	FSWD	1160	3/4	11057	0.74	9407	0.75	7336	0.73	4135	0.64						
36L218	FSWD	1160	1	13162	1.01	11689	1.02	9863	1.01	7387	0.97						
36L224	FSWD	1160	1 1/2	15708	1.53	14149	1.55	12421	1.56	10271	1.51						
36L228	FSWD	1160	2	17337	1.98	15812	1.98	14034	1.95	11716	1.89						
36L212	FSWD	1750	2	15925	2.14	14961	2.16	13995	2.17	12920	2.16	11679	2.14	8642	2.00		
36L217	FSWD	1750	3	20381	3.10	19513	3.16	18584	3.20	17581	3.23	16492	3.24	13914	3.24	10621	3.08
36L418	FSWD	870	3/4	11064	0.75	9816	0.78	8311	0.81	5107	0.75						
36L422	FSWD	870	1	13074	0.99	11752	1.05	10222	1.07	8143	1.07						
36L428	FSWD	870	1 1/2	15575	1.47	14190	1.52	12652	1.56	10610	1.55						
36L420	FSWD	1160	2	16620	1.96	15693	2.03	14747	2.11	13747	2.17	12668	2.21				
36L426	FSWD	1160	3	20380	2.99	19464	3.09	18499	3.19	17472	3.27	16302	3.32	13284	3.29		
36S720	FSWD	1160	3	17507	2.23	16855	2.36	16182	2.50	15503	2.64	14778	2.76	12824	2.94	9887	2.95
36S714	FSWD	1750	5	20249	3.99	19828	4.16	19397	4.32	18956	4.47	18503	4.62	17572	4.90	16562	5.16
42"																	
42L220	FSWD	870	1	16284	1.07	13778	1.08	10409	1.03								
42L226	FSWD	870	1 1/2	19248	1.60	16572	1.63	13416	1.54								
42L214	FSWD	1160	1 1/2	18140	1.57	16370	1.61	14296	1.60	11848	1.57	8595	1.45				
42L217	FSWD	1160	2	20813	1.97	19175	2.01	17308	2.04	15092	2.04	12272	1.97				
42L421	FSWD	870	2	20357	1.96	18861	2.05	17167	2.12	15229	2.16	13059	2.17				
42S718	FSWD	695	1	14687	0.91	13284	1.03	11619	1.12	9387	1.15	5936	1.11				
42S714	FSWD	870	1 1/2	15298	1.14	14241	1.26	13086	1.36	11663	1.46	9920	1.52				
42S718	FSWD	870	2	18959	1.69	17927	1.85	16791	2.00	15526	2.14	14089	2.21	10035	2.26		
42S713	FSWD	1160	3	19458	2.3	18713	2.44	17933	2.58	17111	2.73	16236	2.87	14248	3.09	11757	3.17
48"																	
48L220	FSWD	695	1	18844	1.07	14977	1.07										
48L226	FSWD	695	1 1/2	22324	1.60	18288	1.60	12020	1.46								
48L220	FSWD	870	2	25066	2.06	22392	2.11	19234	2.10	15106	1.99						
48L226	FSWD	870	3	29560	3.10	26660	3.17	23368	3.14	19657	2.98						
48L214	FSWD	1160	3	27617	3.03	25690	3.11	23542	3.14	21097	3.12	18332	3.07	10325	2.69		
48L221	FSWD	1160	5	35725	5.28	33800	5.41	31817	5.50	29719	5.54	27451	5.51	21822	5.36		
48L421	FSWD	695	2	23907	1.96	21685	2.06	19092	2.13	16125	2.16						
48L426	FSWD	695	3	28137	2.75	26008	2.89	23602	2.98	20550	3.00	16223	2.92				
48L425	FSWD	870	5	34808	4.86	33148	5.01	31390	5.16	29506	5.29	27440	5.37	22336	5.41		
48S720	FSWD	870	5	31042	3.94	29882	4.19	28686	4.43	27481	4.67	26191	4.89	22713	5.20	17469	5.22

Performances shown are for filtered air supply fans with clean filters.
 Performances shown are based on clean filter airflow at 520 feet per minute.

FSWD Direct Drive Wall Mounted Filtered Air Supply



SIZE	A	B	C	D	E	F	G SQ.	H SQ.	J	K	L	M	N	20 x 25 x 2 FILTERS		APPRX. WEIGHT (LBS)
														QTY	CFM*	
24	43 ¹ / ₄	46 ¹ / ₂	24 ¹ / ₄	40 ¹ / ₄	43 ¹ / ₂	29	28 ³ / ₈	31 ³ / ₈	5 ¹⁵ / ₁₆	7 ¹¹ / ₁₆	64	1 ¹ / ₂	5	6	9,000	630
30	63 ¹ / ₄	46 ¹ / ₂	30 ³ / ₈	60 ¹ / ₄	43 ¹ / ₂	33	36 ³ / ₈	39 ³ / ₈	11 ¹⁵ / ₁₆	3 ¹¹ / ₁₆	68	1 ¹ / ₂	5 ⁵ / ₈	9	13,500	830
36	63 ¹ / ₄	75 ¹ / ₂	36 ³ / ₈	60 ¹ / ₄	72 ¹ / ₂	35	42 ³ / ₈	45 ³ / ₈	8 ¹⁵ / ₁₆	15 ¹ / ₁₆	70	1 ¹ / ₂	5 ¹ / ₂	15	22,500	1070
42	63 ¹ / ₄	75 ¹ / ₂	36 ³ / ₈	60 ¹ / ₄	72 ¹ / ₂	35	48 ³ / ₈	51 ³ / ₈	5 ¹⁵ / ₁₆	12 ¹⁵ / ₁₆	70	1 ¹ / ₂	5 ¹ / ₂	15	22,500	1250
48	84 ¹ / ₄	91	48 ³ / ₈	80 ¹ / ₄	87	37	54 ³ / ₈	58 ³ / ₈	12 ¹⁵ / ₁₆	16 ⁷ / ₁₆	72	2	6	24	36,000	1680
54	84 ¹ / ₄	105 ¹ / ₂	54 ³ / ₈	80 ¹ / ₄	101 ¹ / ₂	42	68 ³ / ₈	72 ³ / ₈	5 ¹⁵ / ₁₆	16 ¹¹ / ₁₆	77	2	6	28	42,000	2150
60	104 ¹ / ₄	105 ¹ / ₂	60 ³ / ₈	100 ¹ / ₄	101 ¹ / ₂	42	75 ³ / ₈	79 ³ / ₈	12 ⁷ / ₁₆	13 ³ / ₁₆	77	2	6	35	52,500	2430

Dimensions given are in inches unless otherwise noted.

Dimensions are not to be used for construction.

*Max. CFM thru filters based on 520 feet per minute.

R-14047-00D

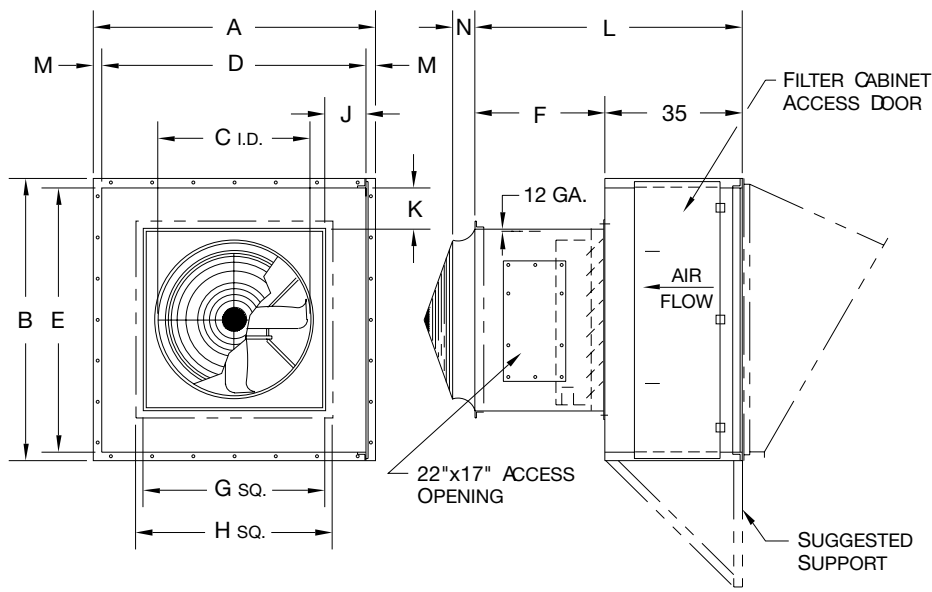


FSWB Belted Wall Mounted Filtered Air Supply

CATALOG NUMBER				CUBIC FEET PER MINUTE AND HORSEPOWER AT STATIC PRESSURE													
				0" SP		1/8" SP		1/4" SP		3/8" SP		1/2" SP		3/4" SP		1" SP	
PROP	MODEL	RPM	HP	CFM	BHP	CFM	BHP	CFM	BHP	CFM	BHP	CFM	BHP	CFM	BHP	CFM	BHP
24"																	
24L222	FSWB	1330	1/3	4743	0.37	3680	0.36										
24L222	FSWB	1522	1/2	5664	0.54	4849	0.55	3687	0.53								
24L222	FSWB	1742	3/4	6685	0.81	6015	0.83	5233	0.83	4110	0.79						
24L428	FSWB	990	1/3	4986	0.35	4034	0.36										
24L428	FSWB	1134	1/2	5941	0.53	5177	0.54	4121	0.53								
24L428	FSWB	1298	3/4	6997	0.78	6353	0.81	5653	0.82	4600	0.79						
30"																	
30L222	FSWB	917	1/3	5952	0.37												
30L222	FSWB	1049	1/2	7267	0.55	5543	0.54										
30L222	FSWB	1201	3/4	8697	0.82	7395	0.83	5444	0.78								
30L222	FSWB	1322	1	9802	1.08	8678	1.11	7291	1.09	4598	1.00						
30L222	FSWB	1513	1 1/2	11506	1.62	10560	1.65	9515	1.66	8241	1.63	6209	1.54				
30L428	FSWB	683	1/3	6312	0.36												
30L428	FSWB	782	1/2	7658	0.53	6122	0.54										
30L428	FSWB	895	3/4	9126	0.79	7913	0.82	6089	0.79								
30L428	FSWB	985	1	10266	1.05	9194	1.08	7982	1.09								
30L428	FSWB	1127	1 1/2	12027	1.55	11109	1.6	10137	1.63	9038	1.63						
36"																	
36L222	FSWB	828	1/2	9478	0.56	6801	0.53										
36L222	FSWB	947	3/4	11367	0.83	9457	0.83	6371	0.77								
36L222	FSWB	1043	1	12847	1.11	11235	1.12	9042	1.08								
36L222	FSWB	1194	1 1/2	15134	1.65	13777	1.67	12239	1.67	10188	1.61						
36L222	FSWB	1314	2	16920	2.19	15681	2.22	14400	2.23	12873	2.21	10873	2.14				
36L428	FSWB	595	1/2	9480	0.55	6660	0.54										
36L428	FSWB	681	3/4	11388	0.81	9487	0.83										
36L428	FSWB	749	1	12852	1.07	11224	1.10	8964	1.09								
36L428	FSWB	858	1 1/2	15151	1.59	13782	1.64	12254	1.66	10090	1.63						
36L428	FSWB	944	2	16932	2.11	15689	2.16	14394	2.2	12889	2.21	10671	2.16				
42"																	
42L222	FSWB	733	1/2	13498	0.84	10166	0.81										
42L222	FSWB	806	1	15330	1.11	12694	1.10	8324	1.02								
42L222	FSWB	923	1 1/2	18189	1.65	16097	1.67	13395	1.63	9015	1.53						
42L222	FSWB	1016	2	20422	2.20	18561	2.23	16435	2.22	13575	2.14						
42L428	FSWB	527	1/2	13514	0.82	10126	0.82										
42L428	FSWB	580	1	15372	1.08	12752	1.11										
42L428	FSWB	663	1 1/2	18203	1.60	16086	1.65	13370	1.64								
42L428	FSWB	730	2	20443	2.12	18564	2.18	16454	2.21	13397	2.16						
48"																	
48L222	FSWB	646	1	17807	1.12	13542	1.08										
48L222	FSWB	739	1 1/2	21264	1.66	18114	1.67	13458	1.58								
48L222	FSWB	813	2	23952	2.20	21245	2.23	17785	2.18	12418	2.05						
48L222	FSWB	931	3	28162	3.29	25841	3.34	23313	3.34	20117	3.27	15730	3.12				
48L222	FSWB	1104	5	34203	5.44	32218	5.53	30275	5.58	28151	5.58	25691	5.52	18791	5.21		
48L428	FSWB	464	1	17803	1.09	13472	1.09										
48L428	FSWB	531	1 1/2	21285	1.61	18130	1.66										
48L428	FSWB	584	2	23970	2.13	21230	2.19	17764	2.19								
48L428	FSWB	669	3	28192	3.17	25855	3.26	23324	3.31	20096	3.29						
48L428	FSWB	793	5	34216	5.24	32239	5.34	30268	5.44	28136	5.51	25715	5.52				
54"																	
54L222	FSWB	607	1 1/2	24291	1.67	19620	1.65										
54L222	FSWB	668	2	27491	2.21	23618	2.22	18049	2.12								
54L222	FSWB	765	3	32479	3.30	29293	3.35	25514	3.31	20276	3.17						
54L222	FSWB	907	5	39613	5.45	36912	5.55	34192	5.58	31018	5.54	27024	5.40				
54L428	FSWB	436	1 1/2	24295	1.62	19627	1.65										
54L428	FSWB	480	2	27519	2.14	23633	2.20	17366	2.14								
54L428	FSWB	550	3	32537	3.19	29317	3.28	25585	3.32	18837	3.17						
54L428	FSWB	652	5	39667	5.27	36965	5.38	34209	5.49	31086	5.53	26943	5.47				
60"																	
60L222	FSWB	561	2	31055	2.23	25612	2.21	16312	2.05								
60L222	FSWB	642	3	36832	3.31	32522	3.35	26900	3.26								
60L222	FSWB	761	5	45119	5.47	41565	5.56	37773	5.58	33109	5.48	26845	5.26				
60L222	FSWB	871	7 1/2	52618	8.15	49475	8.29	46391	8.36	42978	8.36	38994	8.25	27532	7.74		
60L428	FSWB	403	2	31068	2.16	25640	2.21										
60L428	FSWB	461	3	36843	3.20	32482	3.29	26805	3.28								
60L428	FSWB	547	5	45181	5.29	41608	5.42	37798	5.52	33152	5.52						

Performances shown are for filtered air supply fans with clean filters.
 Performances shown are based on clean filter airflow at 520 feet per minute.

FSWB Belted Wall Mounted Filtered Air Supply



SIZE	A	B	C	D	E	F	G SQ.	H SQ.	J	K	L	M	N	20 x 25 x 2 FILTERS		APPRX. WEIGHT (LBS)
														QTY	CFM*	
24	43 ¹ / ₄	46 ¹ / ₂	24 ¹ / ₄	40 ¹ / ₄	43 ¹ / ₂	29	28 ³ / ₈	31 ³ / ₈	5 ¹⁵ / ₁₆	7 ¹¹ / ₁₆	64	1 ¹ / ₂	5	6	9,000	630
30	63 ¹ / ₄	46 ¹ / ₂	30 ³ / ₈	60 ¹ / ₄	43 ¹ / ₂	33	36 ³ / ₈	39 ³ / ₈	11 ¹⁵ / ₁₆	3 ¹¹ / ₁₆	68	1 ¹ / ₂	5 ⁵ / ₈	9	13,500	830
36	63 ¹ / ₄	75 ¹ / ₂	36 ³ / ₈	60 ¹ / ₄	72 ¹ / ₂	35	42 ³ / ₈	45 ³ / ₈	8 ¹⁵ / ₁₆	15 ¹ / ₁₆	70	1 ¹ / ₂	5 ¹ / ₂	15	22,500	1070
42	63 ¹ / ₄	75 ¹ / ₂	36 ³ / ₈	60 ¹ / ₄	72 ¹ / ₂	35	48 ³ / ₈	51 ³ / ₈	5 ¹⁵ / ₁₆	12 ¹ / ₁₆	70	1 ¹ / ₂	5 ¹ / ₂	15	22,500	1250
48	84 ¹ / ₄	91	48 ³ / ₈	80 ¹ / ₄	87	37	54 ³ / ₈	58 ³ / ₈	12 ¹⁵ / ₁₆	16 ⁷ / ₁₆	72	2	6	24	36,000	1680
54	84 ¹ / ₄	105 ¹ / ₂	54 ³ / ₈	80 ¹ / ₄	101 ¹ / ₂	42	68 ³ / ₈	72 ³ / ₈	5 ¹⁵ / ₁₆	16 ¹¹ / ₁₆	77	2	6	28	42,000	2150
60	104 ¹ / ₄	105 ¹ / ₂	60 ³ / ₈	100 ¹ / ₄	101 ¹ / ₂	42	75 ³ / ₈	79 ³ / ₈	12 ⁷ / ₁₆	13 ³ / ₁₆	77	2	6	35	52,500	2430

Dimensions given are in inches unless otherwise noted.
 Dimensions are not to be used for construction.
 *Max. CFM thru filters based on 520 feet per minute.

R-14047-00D



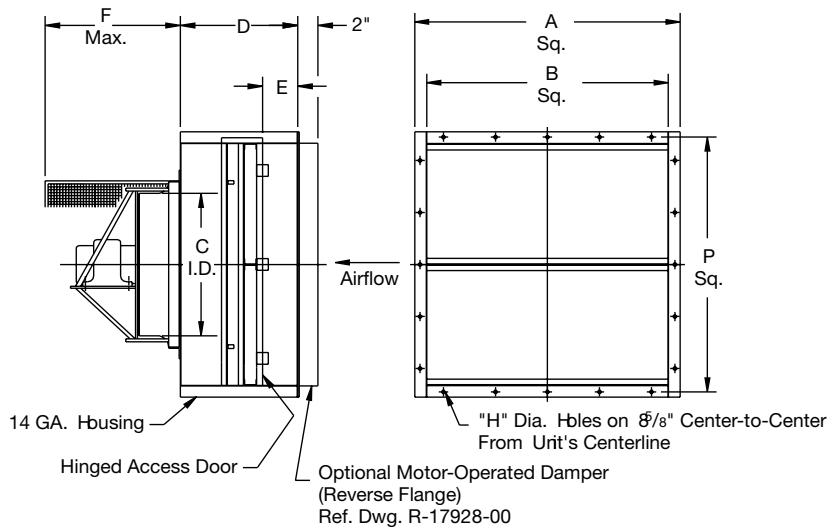
FF Wall Mounted Filter Fan

CATALOG NUMBER				CUBIC FEET PER MINUTE AND HORSEPOWER AT STATIC PRESSURE									
				0" SP		1/8" SP		1/4" SP		3/8" SP		1/2" SP	
PROP	MODEL	RPM	HP	CFM	BHP	CFM	BHP	CFM	BHP	CFM	BHP	CFM	BHP
12M618	FF	1750	1/6	660	0.05	500	0.05	430	0.05	340	0.06		
14L432	FF	1750	1/6	1290	0.13	1040	0.12	680	0.12	400	0.14		
16L424	FF	1750	1/6	1740	0.18	1480	0.15	1140	0.15	700	0.15		
18L425	FF	1750	1/4	2730	0.28	2500	0.27	2200	0.27	1650	0.26	1100	0.28
18L430	FF	1750	1/3	3150	0.36	2800	0.36	2500	0.36	1950	0.35	1300	0.36
21L420	FF	1750	1/2	3850	0.38	3550	0.42	3200	0.42	2800	0.42	2200	0.40
21L424	FF	1750	1/2	4620	0.50	4200	0.55	3950	0.55	3500	0.55	3000	0.55
24L428	FF	1160	1/2	5370	0.50	4800	0.50	4050	0.50	2800	0.45		
24L232	FF	1160	1/3	3200	0.30	2400	0.33	1300	0.33				
30L418	FF	870	1/3	4830	0.35	4000	0.33	3000	0.33	1900	0.31		

Performances shown are for filtered air supply fans with clean filters.

Performances shown are based on clean filter airflow at 520 feet per minute.

FF Wall Mounted Filter Fan



SIZE	A	B	C	D		E		F	H	P	FILTERS	
				NOTE 1	NOTE 2	NOTE 1	NOTE 2				QTY.	NOM. SIZE
12	23	20	12	12	18	3	9	16	⁷ / ₁₆	21 ³ / ₄	1	20 x 20
14	29	25	14 ¹ / ₄	12	18	3	9	16	⁷ / ₁₆	27 ³ / ₄	1	24 x 24
16	29	25	16 ¹ / ₄	12	18	3	9	18	⁷ / ₁₆	27 ³ / ₄	1	24 x 24
18	44	40	18 ¹ / ₄	20	26	6	12	20	⁷ / ₁₆	42 ³ / ₄	4	20 x 20
21	44	40	21 ¹ / ₄	20	26	6	12	22	⁷ / ₁₆	42 ³ / ₄	4	20 x 20
24	44	40	24 ¹ / ₄	20	26	6	12	24	⁷ / ₁₆	42 ³ / ₄	4	20 x 20
30	44	40	30 ³ / ₈	20	26	6	12	26	⁷ / ₁₆	42 ³ / ₄	4	20 x 20

NOTE 1: Filter box dimensions without optional damper.

NOTE 2: Filter box dimensions with optional damper.
Filters are Farr 30/30, 2" deep throwaway type.

Dimensions given are in inches unless otherwise noted.
Dimensions are not to be used for construction.



Model FSR

Roof mounted, filtered supply, axial flow fans are specially designed with a steel hood that is far enough above the roof line that it will not pick up undesirable hot air from other exhausters or from heat radiating off the roof. A sturdy steel construction assures frame rigidity, allowing close tolerance between propeller tips and orifice, a must for optimum performance. A specially curved orifice design eliminates turbulence, and produces a smooth flow of air which increases the fan's operating efficiency.

CONSTRUCTION — The filters contained in this unit can be cleaned or changed without removing the hood. All units are furnished with aluminum multi-velocity permanent industrial type filters. Disposable filters are also available.

For access to the propeller, the hood can be unbolted and removed.

Fan shall be constructed of the following optional metal:

- Aluminum
- Hot Dipped Galvanized
- Stainless Steel 304
- Stainless Steel 316

PROPELLERS — Each FSR unit features an L4 cast aluminum airfoil propeller. The high air moving capacity of the Macheta propeller allows the fan to be belted down to operate at speeds lower than standard cataloged RPMs, assuring quieter operation.

BEARINGS — All belted propeller fans are to be supplied with sealed pillow block bearings. Bearings shall have a minimum L-10 life as defined by AFBMA of at least 20,000 hours (100,000 hours average life). External grease fittings with extended grease lines shall be supplied for lubrication of the pillow block bearings. Sheaves shall be cast iron with static conducting belts. The adjustment of the belt tension is accomplished with an adjustable motor base.

MOTORS — Belt driven fan motors shall be NEMA Design B, standard industrial, continuous duty (ODP/TEFC/FCXP), ball bearing, variable torque and shall be provided with the enclosure type, voltage, phase and hertz as listed in the fan schedule. If motors have regreaseable bearings, external grease fittings with extended grease lines shall be supplied for lubrication of the motor bearings.

BALANCING — The propeller assembly shall be statically and dynamically balanced in accordance with ANSI / AMCA 204 - 96 "Balance Quality and Vibration Levels for Fans" To Fan Application Category BV - 3, Balance Quality Grade G6.3. In addition, belt driven fan propellers shall be balanced on their fan shaft after final assembly in the fan casing, in the manufacturing facility, to the following peak velocity values, filter - in, at the fan test speed:

Fan Application Category	Rigidly Mounted (in./s)	Flexibly Mounted (in./s)
BV-3	0.15	0.20

FINISH — The unit, after fabrication, shall be cleaned and chemically pretreated by a phosphatizing process and shall be painted inside and outside with an air dry enamel.

OPTIONAL COATINGS —

- Air Dry Epoxy
- Asphalt Based Coating
- Carbolene 3358 / Sanitile 550 - Carbolene Primer Sanitile Finish

The following coatings require a sandblast metal preparation before applying:

- Plasite 4310 - Vinyl Ester
- Plasite 7122L - Air Dry Epoxy Phenolic
- Heresite VR506 - Air Dry Epoxy Phenolic
- Plasite 3070 - Baked Phenolic
- Farboil - Baked Aromatic Epoxy

ACCESSORIES — Units shall be complete with:

- Motor Operated Shutter
- Disconnect Switch
- Birdscreen
- Prefabricated Curb

Model FSWD

Direct Drive, Wall Mounted, Filtered, Air Supply fans, where indicated on drawings and schedules, shall be model FSWD, as manufactured by Aerovent, Minneapolis, Minnesota, and shall be designed for supplying filtered air wherever it is required. The fans shall be of the size and capacity indicated in the fan schedule. Model FSWD fans shall be tested and certified with industry test codes and shall be guaranteed by the manufacturer to deliver at the rated published performance levels. In addition, each unit shall be factory run tested prior to shipment.

Performance shall be based on 520 feet per minute through clean filters.

CONSTRUCTION — These modular constructed steel units are predrilled for ease of assembly. Each unit consists of a V-bank filtered cabinet and a fan section. The fan section shall include a direct drive panel fan and supplied with a 17" x 22" gasketed access opening.

Other panel fans may be selected for use based on 1/8" pressure drop for a face velocity of 520 feet per minute. The filter cabinet shall contain aluminum multi-velocity permanent industrial type filters. Disposable filters are available. A filter door shall be supplied.

PROPELLERS — Precision "Macheta" tipped airfoil fan blades and hub shall be cast of A319 aluminum alloy. The propeller shall be mounted directly on the motor shaft with a split taper lock bushing on all sizes.

MOTOR — Fan motors shall be foot-mounted NEMA Design B, standard industrial, continuous duty, ball bearing, variable torque type suitable for operation on voltage, phase and hertz as listed in the fan schedule. Motor bearings shall have a minimum L-10 life, as defined by AFBMA, of at least 40,000 hours (200,000 hours average life).

BALANCING — The propeller assembly shall be statically and dynamically balanced in accordance with ANSI / AMCA 204 - 96 "Balance Quality and Vibration Levels for Fans" To Fan Application Category BV - 3, Balance Quality Grade G6.3. In addition, direct drive fan propellers shall be balanced on the motor shaft after final assembly in the fan casing, in the manufacturing facility, to the following peak velocity values, filter - in, at the fan test speed:

Fan Application Category	Rigidly Mounted (in./s)	Flexibly Mounted (in./s)
BV-3	0.15	0.20

FINISH — The unit, after fabrication, shall be cleaned and chemically pretreated by a phosphatizing process and shall be painted inside and outside with an air dry enamel.

OPTIONAL COATINGS —

- Air Dry Epoxy
- High Temperature Aluminum
- Asphalt Based Coating
- Carbolene 3358 / Sanitile 550 - Carbolene Primer Sanitile Finish

The following coatings require a sandblast metal preparation before applying:

- Plasite 4310 - Vinyl Ester
- Plasite 7122L - Air Dry Epoxy Phenolic
- Heresite VR506 - Air Dry Epoxy Phenolic
- Plasite 3070 - Baked Phenolic
- Farboil - Baked Aromatic Epoxy

ACCESSORIES — Units shall be complete with:

- Directional discharge grille
- Inlet weatherhood with bird screen
- PMS outlet guard
- Predrilled discharge flange
- Motor operated center pivoted shutter
- Flat inlet bird screen (no weatherhood on inlet)

Model FSWB

Belted, Wall Mounted, Filtered, Air Supply fans, where indicated on drawings and schedules, shall be model FSWB, as manufactured by Aerovent, Minneapolis, Minnesota, and shall be designed for supplying filtered air wherever it is required. The fans shall be of the size and capacity indicated in the fan schedule. Model FSWB fans shall be tested and certified with industry test codes and shall be guaranteed by the manufacturer to deliver at the rated published performance levels. In addition, each unit shall be factory run tested prior to shipment.

Performance shall be based on 520 feet per minute through clean filters.

CONSTRUCTION — These modular constructed steel units are predrilled for ease of assembly. Each unit consists of a V-bank filtered cabinet and a fan section. The fan section shall include a belted panel fan and supplied with a 17" x 22" gasketed access opening.

Other panel fans may be selected for use based on 1/8" pressure drop for a face velocity of 520 feet per minute. The filter cabinet shall contain aluminum multi-velocity permanent industrial type filters. Disposable filters are available. A filter door shall be supplied.

BEARINGS — All FSWD fans are to be supplied with sealed pillow block bearings. The bearings shall have a minimum L-10 life as defined by AFBMA of at least 20,000 hours (100,000 hours average life).

MOTOR — Fan motors shall be foot-mounted NEMA Design B, standard industrial, continuous duty, ball bearing (ODP/TEAO/TEFC/FCXP), variable torque type suitable for operation on voltage, phase and hertz as listed in the fan schedule. Motor bearings shall have a minimum L-10 life, as defined by AFBMA, of at least 40,000 hours (200,000 hours average life).

DRIVE — All drive selections on FSWB fans shall be designed with a 1.4 service factor unless otherwise specified. Sheaves shall be cast iron with static conducting belts. The adjustment of the belt tension is accomplished with an adjustable motor base.

BALANCING — The propeller assembly shall be statically and dynamically balanced in accordance with ANSI / AMCA 204-96 "Balance Quality and Vibration Levels for Fans" to Fan Application Category BV - 3, Balance Quality Grade G6.3. In addition, belt driven fan propellers shall be balanced on the fan shaft after final assembly in the fan casing, in the manufacturing facility, to the following peak velocity values, filter-in, at the fan test speed:

Fan Application Category	Rigidly Mounted (in./s)	Flexibly Mounted (in./s)
BV-3	0.15	0.20

FINISH — The unit, after fabrication, shall be cleaned and chemically pretreated by a phosphatizing process and shall be painted inside and outside with an air dry enamel.

OPTIONAL COATINGS —

- Air Dry Epoxy
- High Temperature Aluminum
- Asphalt Based Coating
- Carbolene 3358 / Sanitile 550 - Carbolene Primer Sanitile Finish

The following coatings require a sandblast metal preparation before applying:

- | | |
|---|---|
| <ul style="list-style-type: none"> • Plasite 4310 - Vinyl Ester • Plasite 7122L - Air Dry Epoxy Phenolic • Heresite VR506 - Air Dry Epoxy Phenolic | <ul style="list-style-type: none"> • Plasite 3070 - Baked Phenolic • Farboil - Baked Aromatic Epoxy |
|---|---|

ACCESSORIES — Units shall be complete with:

- Directional discharge grille
- Inlet weatherhood with bird screen
- PMS outlet guard
- Predrilled discharge flange
- Motor operated center pivoted shutter
- Flat inlet bird screen (no weatherhood on inlet)

Model FF

The Aerovent Wall Mounted Filter Fan is an axial flow fan designed for supplying low volume filtered air.

CONSTRUCTION — The panel and orifice ring fans are constructed of heavy-gauge steel. Each unit consists of a filter cabinet, motor guard, and fan section. The fan section includes a direct drive panel fan, equipped with a Macheta cast aluminum propeller statically and dynamically balanced. Fans shall be constructed of the following optional metal:

- Aluminum
- Hot Dipped Galvanized
- Stainless Steel 304
- Stainless Steel 316

PROPELLER — The aluminum propeller is suitable for medium temperature ranges and mildly corrosive atmospheres. Propellers are equipped with malleable iron split-taper bushings to assure perfect alignment and the positive locking of the propeller to the shaft.

FILTER SECTION — The filter section contains a latched and hinged filter access door that covers the 2" filter channel. The filter channel is designed to accept 2" FARR 30/30 disposable filters.

Performances are based on clean filter airflow at 520 feet per minute.

MOTORS — Fan motors shall be foot-mounted NEMA Design B, standard industrial, continuous duty, ball bearing, variable torque type, suitable for operation on voltage, phase and hertz, as listed in the fan schedule. Motor bearings shall have a minimum L-10 life, as defined by AFBMA of at least 40,000 hours (200,000 hours average life).

BALANCING — The propeller assembly shall be statically and dynamically balanced in accordance with ANSI / AMCA 204 - 96 "Balance Quality and Vibration Levels for Fans" To Fan Application Category BV - 3, Balance Quality Grade G6.3. In addition, direct drive fan propellers shall be balanced on their fan shaft after final assembly in the fan casing, in the manufacturing facility, to the following peak velocity values, filter - in, at the fan test speed:

Fan Application Category	Rigidly Mounted (in./s)	Flexibly Mounted (in./s)
BV-3	0.15	0.20

STANDARD FINISH — The unit, after fabrication, shall be cleaned and chemically pretreated by a phosphatizing process and shall be painted inside and outside with an air dry enamel.

OPTIONAL COATINGS —

- Air Dry Epoxy
- Asphalt Based Coating
- Carbolene 3358 / Sanitile 550 - Carbolene Primer Sanitile Finish

The following coatings require a sandblast metal preparation before applying:

- Plasite 4310 - Vinyl Ester
- Plasite 7122L - Air Dry Epoxy Phenolic
- Heresite VR506 - Air Dry Epoxy Phenolic
- Plasite 1246 - Baked Epoxy Phenolic
- Plasite 3066 - Baked Phenolic
- Farboil - Baked Aromatic Epoxy

ACCESSORIES — The fan(s) shall be furnished complete with:

- Birdscreen/Inlet Screen
- Automatic Shutter - For Supply Only
- Motor Operated Center-Pivoted Shutter
- Washable Filters
- Weather Hood with Birdscreen



©2013 Aerovent, Twin City Fan Companies, Ltd. All rights reserved throughout the world.

Catalog illustrations cover the general appearance of Aerovent products at the time of publication and we reserve the right to make changes in design and construction at any time.

**PROPELLER FANS | TUBEAXIAL & VANEAXIAL FANS | CENTRIFUGAL FANS & BLOWERS | ROOF VENTILATORS
INDUSTRIAL AIR HANDLERS | AIR MAKE-UP | FIBERGLASS FANS | CUSTOM FANS**



WWW.AEROVENT.COM



AEROVENT
A Twin City Fan Company

5959 Trenton Lane N | Minneapolis, MN 55442 | Phone: 763-551-7500 | Fax: 763-551-7501