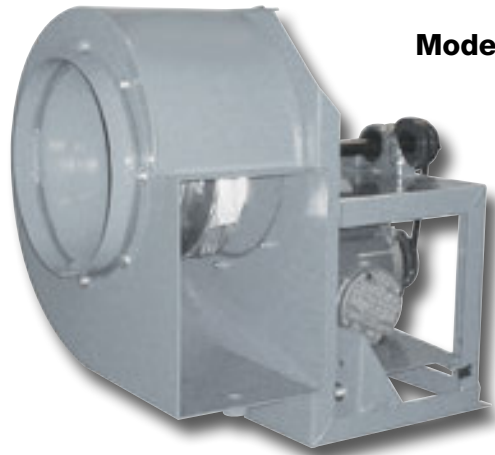
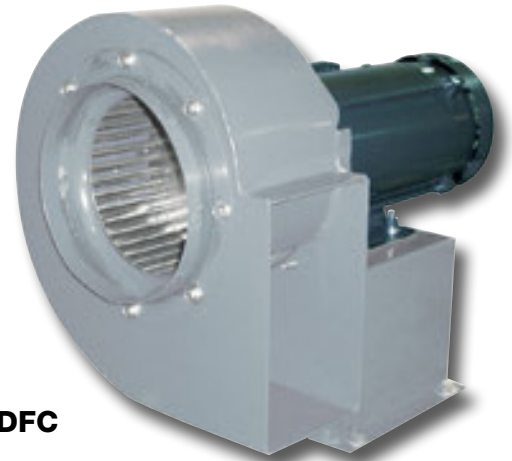


# Aerovent®

The Industrial Choice.



**Model BIUJ**



**Model DFC**

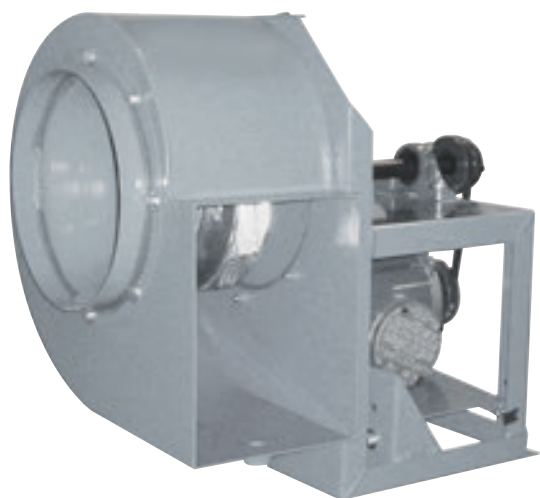
## **Junior Utility Blowers**

**DFC / FCUJ / BIUJ / BIUJU5 / BIUJU2**

# Utility Blowers



Model DFC



Model BIUJ



Most BIUJU5 and BIUJU2 fans are available for listing under UL 705 and UL 762, respectively.



Aerovent, a Twin City Fan Company, certifies that the Model BIUJ, BIUJU5, BIUJU2 fans show herein are licensed to bear the AMCA Seal. The ratings shown are based on tests and procedures performed in accordance with AMCA Publication 211 and AMCA Publication 311 and comply with the requirements of the AMCA Certified Ratings Program.

## Models

**DFC | FCUJ | BIUJ | BIUJU5 | BIUJU2**

Aerovent utility blowers are ideal for applications where general ventilation or exhaust is required in small areas such as washrooms, restaurant counters, exhaust hoods, etc. Utility blowers provide optimal performance with minimal physical dimensions and are offered in both direct drive and belt driven configurations. Fan housings are of heavy gauge, continuously welded construction and are available in steel, aluminum, or stainless steel. Wheels are constructed of aluminum for maximum efficiency and quiet operation.

### Accessories

- Weather Cover
- Inlet and Outlet Flanges
- Inlet and Outlet Screens
- Gravity Backdraft Dampers
- Spark Resistant Construction - Type A, B, C

### DFC (Direct Drive - Forward Curved)

#### Sizes

6" to 10.5" wheel diameters

#### Performance

Airflow to 2,100 CFM

Static pressure to 1.75" w.g.

### FCUJ (Belt Driven - Forward Curved)

#### Sizes

7.5" to 10.5" wheel diameters

#### Performance

Airflow to 1,480 CFM

Static pressure to 1.5" w.g.

### BIUJ / BIUJU5 / BIUJU2 (Belt Driven - Backward Curved)

#### Sizes

9" to 10.5" wheel diameters

#### Performance

Airflow to 1,900 CFM

Static pressure to 5" w.g.

BIUJU5 packages come complete with V-belt drives, motor, UL weather cover, UL labels and nameplate.

BIUJU2 packages include V-belt drives, motor, UL weather cover, bolted access door, drain connection, backplate fins, UL 762 labels and nameplate. For UL 762, grease pans, disconnect switches, stacks or fan platforms are not included. Fans must be installed per local codes and NFPA 96. The BIUJU2 is rated for temperatures up to 300°F.

## FCUJ Belt Driven Utility Blower | Size 75

Wheel Diameter: 7<sup>1</sup>/<sub>16</sub>" Tip Speed, FPM: 2.012 x RPM Outlet Area: 0.325 ft<sup>2</sup>

CFM	OV	1/8" SP		1/4" SP		3/8" SP		1/2" SP		5/8" SP		3/4" SP		1" SP		1 1/4" SP		1 1/2" SP		
		RPM	BHP	RPM	BHP	RPM	BHP	RPM	BHP	RPM	BHP	RPM	BHP	RPM	BHP	RPM	BHP	RPM	BHP	RPM
260	800	632	0.02	832	0.03	-996	0.05													
292	900	659	0.02	847	0.04	1008	0.05	1148	0.07	1273	0.09									
325	1000	691	0.03	866	0.04	1022	0.06	1159	0.08	1283	0.10	1396	0.12							
357	1100	728	0.03	887	0.05	1037	0.06	1172	0.08	1293	0.11	1405	0.13							
390	1200	769	0.04	912	0.05	1056	0.07	1187	0.09	1306	0.12	1416	0.14	1616	0.19					
422	1300	812	0.05	940	0.06	1075	0.08	1203	0.10	1320	0.13	1428	0.15	1626	0.20	1803	0.25			
455	1400	858	0.05	972	0.07	1099	0.09	1222	0.11	1336	0.14	1443	0.16	1637	0.22	1812	0.27	1973	0.33	
487	1500	905	0.07	1008	0.08	1125	0.10	1242	0.13	1354	0.15	1458	0.18	1649	0.23	1823	0.29	1982	0.35	
520	1600	954	0.08	1048	0.09	1154	0.11	1265	0.14	1373	0.16	1475	0.19	1663	0.25	1834	0.31	1992	0.37	
552	1700	1003	0.09	1088	0.11	1185	0.13	1290	0.15	1393	0.18	1493	0.21	1678	0.26	1847	0.33	2003	0.39	
585	1800	1054	0.11	1132	0.12	1222	0.14	1318	0.17	1417	0.19	1513	0.22	1695	0.28	1861	0.35	2015	0.42	
617	1900	1104	0.12	1176	0.14	1259	0.16	1348	0.18	1443	0.21	1535	0.24	1713	0.30	1876	0.37	2029	0.44	
650	2000	1156	0.14	1223	0.16	1299	0.18	1382	0.20	1470	0.23	1559	0.26	1732	0.33	1893	0.39			
682	2100	1206	0.16	1269	0.18	1340	0.20	1418	0.23	1499	0.25	1585	0.28	1751	0.35					
715	2200	1259	0.19	1319	0.20	1384	0.22	1457	0.25	1533	0.28	1613	0.31	1774	0.37					
747	2300	1310	0.21	1367	0.23	1428	0.25	1496	0.27	1568	0.30	1642	0.33	1798	0.40					
780	2400	1364	0.24	1417	0.26	1474	0.28	1538	0.30	1606	0.33	1675	0.36							
812	2500	1415	0.27	1466	0.29	1521	0.31	1580	0.33	1644	0.36									

## FCUJ Belt Driven Utility Blower | Size 90

Wheel Diameter: 9<sup>3</sup>/<sub>16</sub>" Tip Speed, FPM: 2.405 x RPM Outlet Area: 0.451 ft<sup>2</sup>

CFM	OV	1/8" SP		1/4" SP		3/8" SP		1/2" SP		5/8" SP		3/4" SP		1" SP		1 1/4" SP		1 1/2" SP		
		RPM	BHP	RPM	BHP	RPM	BHP	RPM	BHP	RPM	BHP	RPM	BHP	RPM	BHP	RPM	BHP	RPM	BHP	RPM
361	800	495	0.02	665	0.04	804	0.06	924	0.08	1032	0.10	1132	0.12							
406	900	511	0.03	673	0.04	809	0.06	927	0.08	1033	0.11	1130	0.13	1308	0.18					
451	1000	531	0.03	683	0.05	816	0.07	932	0.09	1036	0.12	1132	0.14	1305	0.20					
496	1100	554	0.04	695	0.06	824	0.08	938	0.10	1041	0.13	1135	0.15	1306	0.21	1460	0.27	1603	0.34	
541	1200	579	0.04	710	0.06	834	0.09	946	0.12	1047	0.14	1140	0.17	1308	0.23	1459	0.29	1599	0.35	
586	1300	607	0.05	728	0.07	845	0.10	954	0.13	1054	0.15	1146	0.18	1312	0.24	1461	0.31	1599	0.38	
631	1400	636	0.06	748	0.08	859	0.11	964	0.14	1062	0.17	1153	0.20	1317	0.26	1465	0.33	1600	0.40	
676	1500	666	0.07	770	0.10	875	0.12	976	0.15	1071	0.18	1161	0.22	1323	0.28	1469	0.35	1603	0.42	
722	1600	698	0.09	795	0.11	893	0.14	990	0.17	1082	0.20	1170	0.23	1330	0.30	1475	0.38	1608	0.45	
767	1700	730	0.10	820	0.12	913	0.15	1005	0.18	1094	0.22	1180	0.25	1338	0.33	1481	0.40	1612	0.48	
812	1800	763	0.12	848	0.14	935	0.17	1022	0.20	1108	0.23	1191	0.27	1346	0.35	1487	0.43	1618	0.51	
857	1900	796	0.13	876	0.16	958	0.19	1041	0.22	1124	0.26	1204	0.29	1356	0.37	1495	0.46	1624	0.54	
902	2000	830	0.15	905	0.18	983	0.21	1062	0.24	1141	0.28	1218	0.32	1366	0.40	1504	0.48	1632	0.57	
947	2100	864	0.17	936	0.20	1009	0.23	1085	0.26	1159	0.30	1234	0.34	1378	0.42	1513	0.51	1640	0.61	
992	2200	899	0.20	967	0.22	1037	0.25	1108	0.29	1180	0.33	1251	0.37	1391	0.45	1523	0.54	1648	0.64	
1037	2300	934	0.22	998	0.25	1065	0.28	1133	0.32	1202	0.36	1270	0.40	1405	0.48	1534	0.58	1658	0.68	
1082	2400	969	0.25	1030	0.28	1094	0.31	1159	0.35	1225	0.39	1290	0.43	1421	0.52	1547	0.61	1668	0.71	
1127	2500	1004	0.28	1063	0.31	1124	0.34	1186	0.38	1249	0.42	1312	0.46	1437	0.55	1561	0.65	1679	0.75	

## FCUJ Belt Driven Utility Blower | Size 105

Wheel Diameter: 10<sup>5</sup>/<sub>16</sub>" Tip Speed, FPM: 2.782 x RPM Outlet Area: 0.594 ft<sup>2</sup>

CFM	OV	1/8" SP		1/4" SP		3/8" SP		1/2" SP		5/8" SP		3/4" SP		1" SP		1 1/4" SP		1 1/2" SP		
		RPM	BHP	RPM	BHP	RPM	BHP	RPM	BHP	RPM	BHP	RPM	BHP	RPM	BHP	RPM	BHP	RPM	BHP	RPM
475	800	404	0.04	519	0.06	617	0.08													
535	900	425	0.04	533	0.07	627	0.10	710	0.12											
594	1000	447	0.05	548	0.08	638	0.11	719	0.14	794	0.17	863	0.20							
653	1100	472	0.07	566	0.10	652	0.13	730	0.16	802	0.19	870	0.23							
713	1200	498	0.08	585	0.11	667	0.14	743	0.18	813	0.22	878	0.25	999	0.33					
772	1300	524	0.10	606	0.13	684	0.16	757	0.20	825	0.24	889	0.28	1006	0.36	1115	0.44			
832	1400	551	0.12	629	0.15	703	0.19	773	0.23	839	0.27	901	0.31	1016	0.39	1121	0.48	1220	0.57	
891	1500	579	0.14	653	0.17	723	0.21	790	0.25	854	0.30	914	0.34	1026	0.43	1129	0.52	1226	0.62	
950	1600	607	0.16	678	0.20	744	0.24	808	0.28	870	0.33	928	0.37	1038	0.47	1139	0.56	1233	0.66	
1010	1700	636	0.19	704	0.23	767	0.27	828	0.32	887	0.36	944	0.41	1051	0.51	1150	0.61	1243	0.71	
1069	1800	665	0.22	731	0.26	791	0.31	849	0.35	906	0.40	961	0.45	1065	0.55	1162	0.66	1253	0.77	
1129	1900	695	0.25	758	0.30	816	0.34	872	0.39	926	0.44	979	0.49	1080	0.60	1175	0.71	1264	0.83	
1188	2000	725	0.29	785	0.34	841	0.39	895	0.44	947	0.49	998	0.54	1096	0.65	1189	0.77	1277	0.89	
1247	2100	754	0.33	813	0.38	867	0.43	919	0.48	969	0.54	1018	0.59	1113	0.71	1204	0.83	1290	0.95	
1307	2200	785	0.37	841	0.43	894	0.48	944	0.53	992	0.59	1039	0.64	1132	0.77	1220	0.89	1304	1.02	
1366	2300	815	0.42	870	0.48	920	0.53	969	0.59	1016	0.65	1061	0.70	1150	0.82	1237	0.96	1319	1.09	
1426	2400	846	0.47	899	0.53	948	0.59	995	0.65	1040	0.71	1084	0.77	1170	0.89	1254	1.02	1335	1.16	
1485	2500	876	0.53	928	0.59	975	0.65	1021	0.71	1065	0.77	1108	0.83	1191	0.96	1273	1.10	1351	1.24	

## DFC Direct Drive Utility Blowers

MODEL NO.	MOTOR HP	RPM	1/8" SP		1/4" SP		3/8" SP		1/2" SP		5/8" SP		3/4" SP		1" SP	
			CFM	OV	CFM	OV	CFM	OV	CFM	OV	CFM	OV	CFM	OV	CFM	OV
DFC60L	1/6	1150	324	1466	254	1149	—	—	—	—	—	—	—	—	—	—
DFC60H	1/6	1750	545	2466	506	2290	464	2100	421	1905	362	1638	292	1321	—	—
DFC75L	1/6	1150	668	2264	586	1986	516	1749	447	1515	—	—	—	—	—	—
DFC75M	1/3	1750	—	—	—	—	—	—	—	—	874	2963	828	2807	741	2512
DFC75H	1/2	1750	1085	3678	1033	3502	978	3315	923	3129	874	2963	828	2807	741	2512
DFC90L	1/3	1150	—	—	1216	2916	1129	2707	1042	2499	946	2269	802	1923	—	—
DFC90M	1/2	1150	1300	3118	1216	2916	1129	2707	1042	2499	946	2269	802	1923	—	—
DFC90J	1½	1750	2048	4911	1994	4782	1940	4652	1886	4523	1830	4388	1772	4249	1657	3974
DFC105L	1	1150	2127	3648	2036	3492	1945	3336	1855	3182	1766	3029	1681	2883	1484	2545

MODEL NO.	MOTOR HP	RPM	1" SP		1¼" SP		1½" SP		1¾" SP	
			CFM	OV	CFM	OV	CFM	OV	CFM	OV
DFC90H	1	1750	—	—	1543	3700	1408	3376	1205	2890
DFC90J	1½	1750	1657	3974	1543	3700	1408	3376	1205	2890

Model DFC is not licensed to bear the AMCA Seal.

## BIUJ/BIUJU5/BIUJU2 SWSI Belt Driven Utility Blower | Size 90

Wheel Diameter: 10½" Tip Speed, FPM: 2.75 x RPM Outlet Area: 0.653 ft² Fan Efficiency Grade: FEG7

CFM	OV	1/8" SP		1/4" SP		1/2" SP		3/4" SP		1" SP		1½" SP		2" SP		3" SP		4" SP	
		RPM	BHP	RPM	BHP	RPM	BHP	RPM	BHP	RPM	BHP	RPM	BHP	RPM	BHP	RPM	BHP	RPM	BHP
261	400	829	0.01	970	0.02	1190	0.04	1470	0.07	1626	0.09								
327	500	964	0.02	1088	0.03	1305	0.05	1584	0.09	1722	0.12								
392	600	1095	0.03	1220	0.04	1409	0.06	1688	0.11	1836	0.14	2069	0.20						
457	700	1232	0.04	1352	0.05	1527	0.08	1688	0.11	1836	0.14	2069	0.20						
522	800	1374	0.05	1483	0.07	1659	0.10	1799	0.13	1940	0.17	2184	0.24	2380	0.30				
588	900	1521	0.07	1618	0.09	1794	0.13	1927	0.16	2051	0.20	2295	0.28	2495	0.35	2840	0.50		
653	1000	1668	0.10	1756	0.11	1926	0.16	2059	0.20	2173	0.23	2399	0.32	2608	0.41	2938	0.57	3251	0.75
718	1100	1817	0.12	1898	0.14	2056	0.19	2193	0.23	2304	0.28	2508	0.36	2712	0.46	3052	0.65	3334	0.82
784	1200	1970	0.16	2044	0.18	2190	0.22	2327	0.28	2440	0.32	2631	0.42	2819	0.52	3168	0.73	3444	0.92
849	1300	2121	0.19	2190	0.22	2325	0.27	2457	0.32	2573	0.38	2760	0.48	2932	0.58	3274	0.81	3560	1.03
914	1400	2274	0.24	2338	0.26	2463	0.31	2588	0.37	2705	0.43	2893	0.54	3055	0.65	3377	0.89	3673	1.14
980	1500	2429	0.29	2489	0.32	2606	0.37	2723	0.43	2837	0.49	3029	0.62	3186	0.73	3485	0.98		
1045	1600	2582	0.35	2639	0.38	2749	0.43	2858	0.49	2968	0.56	3162	0.70	3319	0.82	3600	1.07		
1110	1700	2736	0.41	2789	0.44	2894	0.50	2996	0.57	3100	0.64	3294	0.78	3453	0.92				
1175	1800	2890	0.49	2940	0.52	3040	0.58	3137	0.65	3234	0.72	3424	0.87	3587	1.02				
1241	1900	3046	0.57	3094	0.60	3189	0.67	3282	0.74	3373	0.81	3556	0.97						

## BIUJ/BIUJU5/BIUJU2 SWSI Belt Driven Utility Blower | Size 105

Wheel Diameter: 10½" Tip Speed, FPM: 2.75 x RPM Outlet Area: 0.653 ft² Fan Efficiency Grade: FEG75

CFM	OV	1/4" SP		1/2" SP		3/4" SP		1" SP		1½" SP		2" SP		3" SP		4" SP		5" SP	
		RPM	BHP	RPM	BHP	RPM	BHP	RPM	BHP	RPM	BHP	RPM	BHP	RPM	BHP	RPM	BHP	RPM	BHP
327	500	901	0.02	1151	0.04	1360	0.07												
392	600	980	0.03	1203	0.05	1403	0.08	1579	0.11										
457	700	1063	0.04	1267	0.06	1453	0.09	1623	0.12	1920	0.19								
522	800	1149	0.05	1346	0.08	1512	0.10	1674	0.14	1961	0.21	2214	0.29						
588	900	1239	0.06	1429	0.09	1585	0.12	1732	0.15	2009	0.24	2255	0.32						
653	1000	1330	0.07	1512	0.11	1665	0.14	1800	0.18	2061	0.26	2300	0.35	2720	0.55				
784	1200	1522	0.11	1686	0.14	1831	0.19	1961	0.23	2187	0.32	2405	0.41	2806	0.63	3158	0.87	3477	1.12
914	1400	1721	0.15	1868	0.20	2003	0.24	2126	0.30	2343	0.40	2535	0.49	2907	0.72	3246	0.98	3555	1.25
1045	1600	1927	0.21	2058	0.26	2183	0.31	2298	0.37	2509	0.49	2693	0.60	3025	0.83	3348	1.10	3647	1.40
1175	1800	2135	0.29	2253	0.34	2367	0.40	2476	0.45	2676	0.59	2857	0.72	3169	0.97	3462	1.24		
1306	2000	2347	0.38	2455	0.44	2559	0.50	2661	0.57	2850	0.70	3024	0.85	3331	1.14	3600	1.41		
1437	2200	2562	0.49	2660	0.56	2756	0.63	2850	0.70	3030	0.83	3196	0.99	3496	1.32				
1567	2400	2776	0.62	2867	0.70	2956	0.77	3043	0.85	3213	1.00	3371	1.15	3662	1.51				
1698	2600	2994	0.77	3078	0.86	3160	0.94	3241	1.02	3400	1.18	3553	1.34						
1828	2800	3210	0.95	3289	1.04	3366	1.13	3442	1.22	3591	1.39								
1959	3000	3429	1.15	3503	1.25	3575	1.35	3647	1.44										

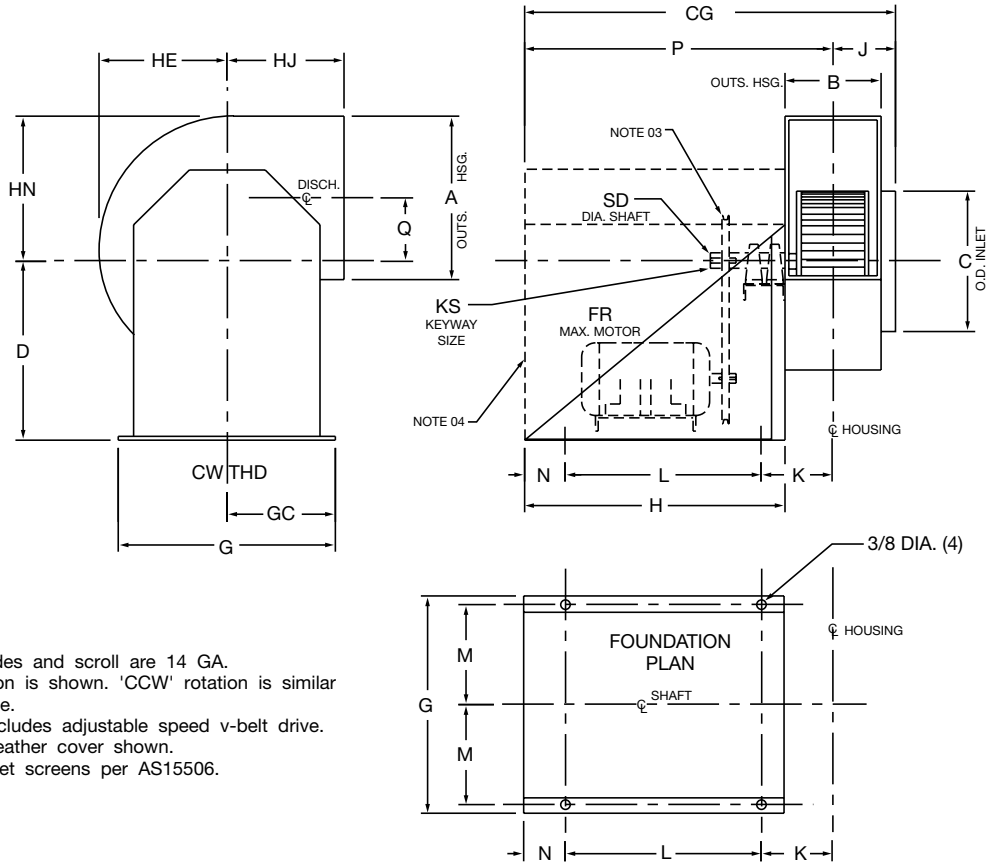
Performance certified is for installation Type B & D: Free or ducted inlet, ducted outlet.

Power rating (bhp) does not include transmission losses.

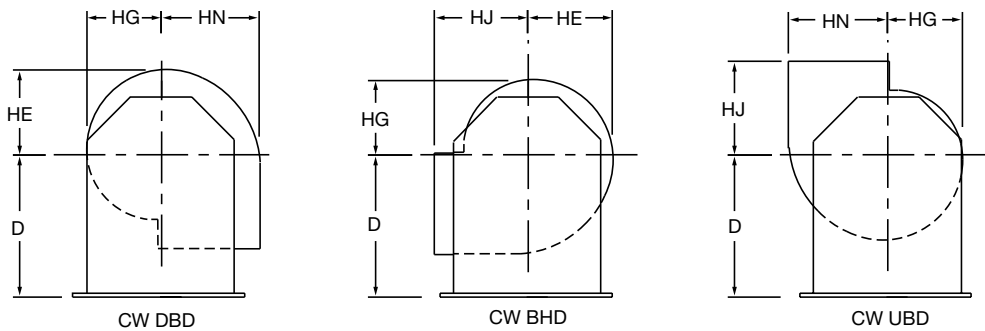
Performance ratings do not include the effects of appurtenances (accessories).

Underlined numbers indicate maximum static efficiency.

# Model FCUJ 75 & 90



- NOTES:**
1. Housing sides and scroll are 14 GA.
  2. 'CW' rotation is shown. 'CCW' rotation is similar but opposite.
  3. Package includes adjustable speed v-belt drive.
  4. Optional weather cover shown.
  5. Optional inlet screens per AS15506.



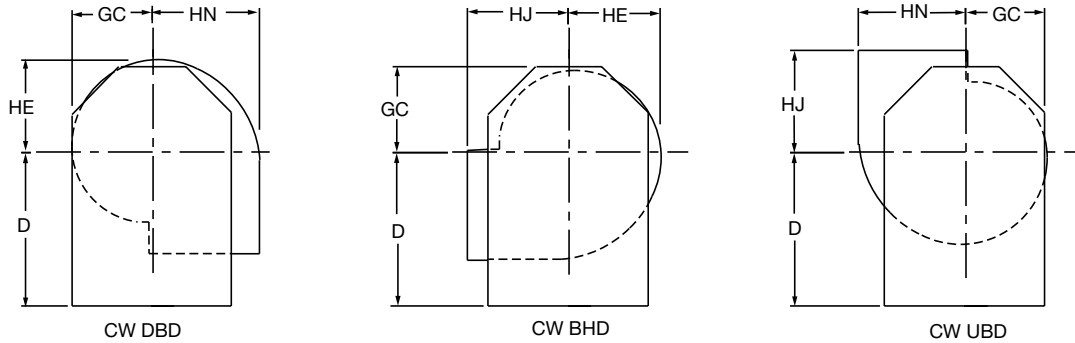
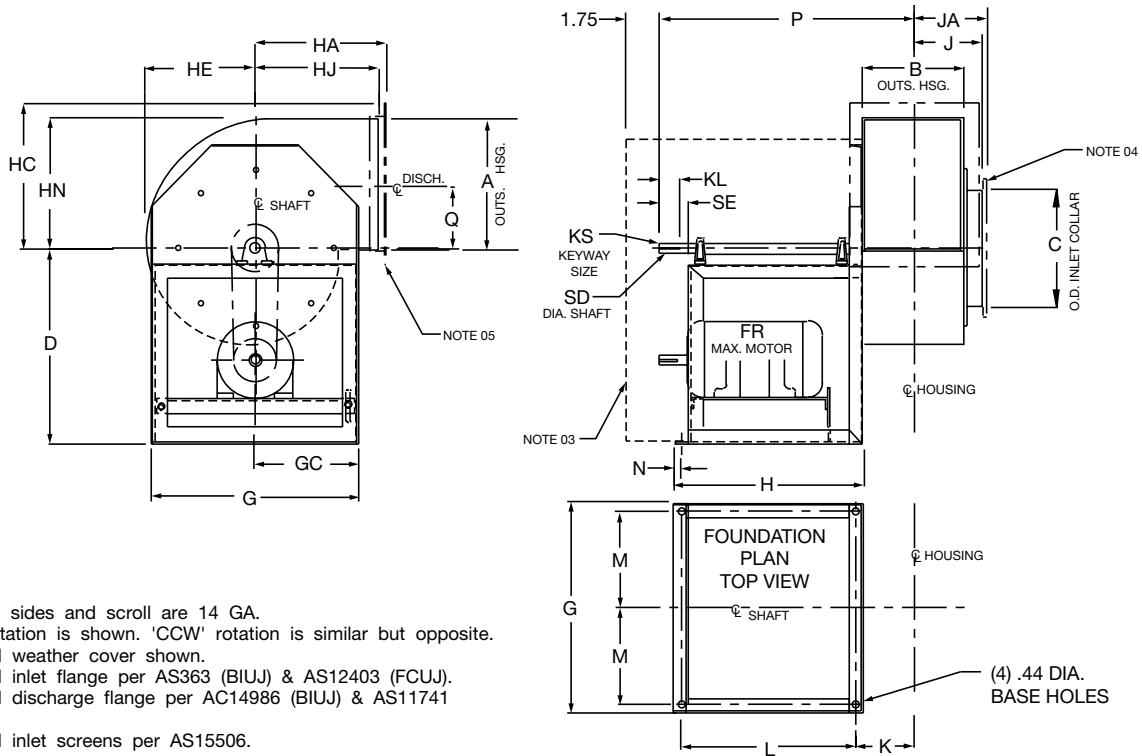
FAN SIZE	A	B	C	CG	D	FR	G	GC	H	HE	HG
75	8.50	5.00	7.50	25.19	13.00	56	12.25	6.13	18.88	6.56	5.81
90	10.00	6.00	9.00	26.19	13.00	56	14.00	7.00	18.88	8.00	6.81

FAN SIZE	HJ	HN	J	K	KS	L	M	N	P	Q	SD
75	6.13	7.88	3.56	3.69	.19 x .09	14.75	5.63	3.06	21.63	3.63	0.625
90	7.00	9.25	4.06	4.19	.19 x .09	14.75	6.50	3.06	22.13	4.25	0.625

AC10748B

DIMENSIONS ARE SUBJECT TO CHANGE. CERTIFIED DRAWINGS AVAILABLE UPON REQUEST.

# Model FCUJ 105 / BIUJ 90 & 105



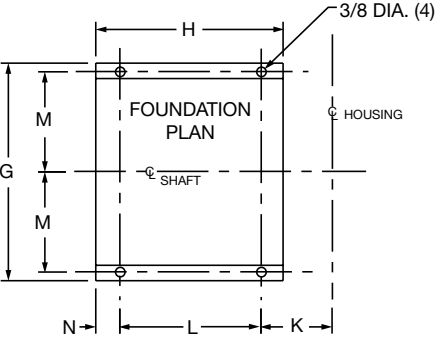
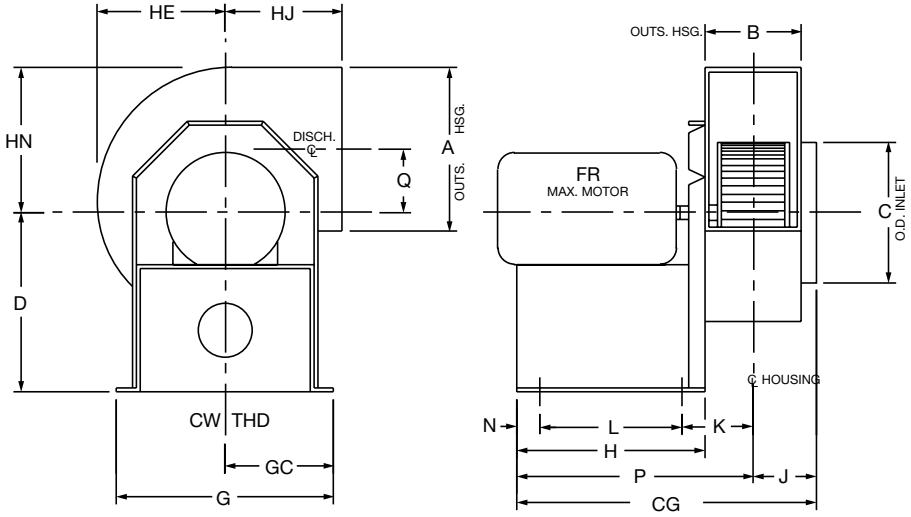
FAN SIZE	A	B	C	D	FR	G	GC	H	HA	HC	HE	HJ	HN
90 BIUJ	11.19	8.63	11.13	14.50	145T	16	8	13.44	9.50	12.13	9.06	9	11.13
105 BIUJ	11.19	8.63	11.13	14.50	145T	16	8	13.44	9.50	12.13	9.06	9	11.13
105 FCUJ	12.00	7.00	10.50	14.50	145T	16	8	13.44	9.50	11.56	9.38	9	10.56

FAN SIZE	J	JA	K	KL	KS	L	M	N	P	Q	SD	SE
90 BIUJ	5.38	5.50	5.19	2	.25 x .13	12	6.75	0.56	19.19	5.53	1.00	2.75
105 BIUJ	5.38	5.50	5.19	2	.25 x .13	12	6.75	0.56	19.19	5.53	1.00	2.75
105 FCUJ	4.56	4.69	4.38	2	.25 x .13	12	6.75	0.56	18.38	4.56	1.00	2.75

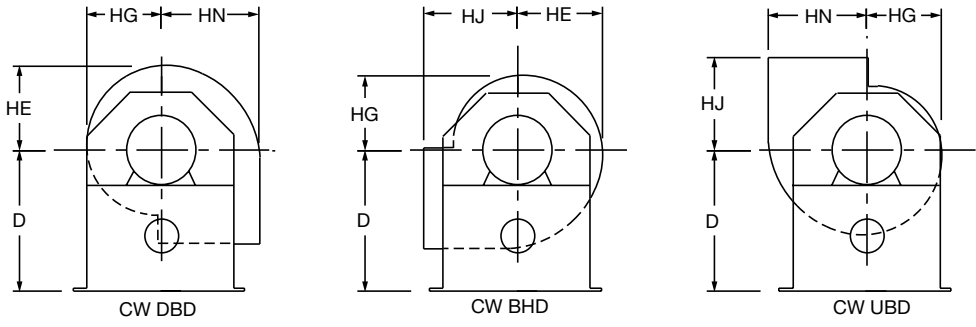
AC13485D

DIMENSIONS ARE SUBJECT TO CHANGE. CERTIFIED DRAWINGS AVAILABLE UPON REQUEST.

# Model DFC



- NOTES:**
1. Housing sides and scroll are 14 GA.
  2. 'CW' rotation is shown. 'CCW' rotation is similar but opposite.
  3. Optional inlet screens per AS15506.



FAN SIZE	A	B	C	CG	D	FR	G	GC	H	HE
60	7.50	4.25	6.00	13.38	8.13	56	9.75	4.88	8.00	5.50
75	8.50	5.00	7.50	14.13	9.75	56	11.25	5.63	8.00	6.56
90	10.00	6.00	9.00	18.13	10.50	145T	12.63	6.31	11.00	8.00
105	12.00	7.00	10.50	20.13	12.63	145T	15.88	7.94	11.00	9.38

FAN SIZE	HG	HJ	HN	J	K	L	M	N	P	Q
60	4.75	5.50	6.63	3.19	3.19	6.00	4.31	1.00	10.19	2.88
75	5.81	6.13	7.88	3.56	3.56	6.00	5.13	1.00	10.56	3.63
90	6.81	7.00	9.25	4.06	4.06	9.00	5.81	1.00	14.06	4.25
105	7.94	9.00	10.56	4.56	4.56	9.00	7.44	1.00	14.56	4.56

AC10804B

DIMENSIONS ARE SUBJECT TO CHANGE. CERTIFIED DRAWINGS AVAILABLE UPON REQUEST.

---

**PROPELLER FANS | TUBEAXIAL & VANEAXIAL FANS | CENTRIFUGAL FANS & BLOWERS | ROOF VENTILATORS  
INDUSTRIAL AIR HANDLERS | AIR MAKE-UP | FIBERGLASS FANS | CUSTOM FANS**



**AEROVENT**  
A Twin City Fan Company

**Aerovent**<sup>®</sup>

**[WWW.AEROVENT.COM](http://WWW.AEROVENT.COM)**

---

**5959 Trenton Lane N | Minneapolis, MN 55442 | Phone: 763-551-7500 | Fax: 763-551-7501**