



The Industrial Choice.



## **CAST IRON PRESSURE BLOWERS**

**Direct Drive & Belt Driven  
Model CPB**

# CPB Cast Iron Pressure Blowers

Aerovent's CPB Cast Iron Pressure Blowers are the perfect choice for providing low volume, high pressure air for cooling, ventilating and exhaust systems which handle dust, materials or corrosive fumes. These direct drive or belt driven blowers feature heavy duty cast iron housings with cast aluminum wheels for extra long life and trouble-free service.

## Capabilities

- 4 wheel sizes, 7", 8", 10", and 14"
- Airflow capacities to 2000 CFM
- Static pressures to 12"
- Temperatures to 250°F (Arrangement 4 to 180°F)
- Arrangement 1, 4, 9, 9F, and 10 available

## Features

- Rugged cast grey iron housing is inherently corrosion and wear resistant
- Cast aluminum radial blade wheel is corrosion and spark resistant
- Rotatable to eight discharge positions
- 200,000 hour average life bearings on belt driven units
- Round inlet and discharge for easy duct connections
- Heavy housings reduce housing radiated noise levels
- Heavy housings impede impact noise from material passing through the fan.



## Applications

- Laboratory fume hood exhaust
- Polishing and grinding machine dust removal
- Welding fume exhaust
- Combustion air supply
- Raw materials, waste, and fibers conveying
- Drying processes
- General exhaust applications

## Performance Data — Direct Drive

SIZE	RPM	HP	CFM AT STATIC PRESSURE											
			0.25"	0.5"	0.75"	1"	1.5"	2"	2.5"	3"	3.5"	4"	4.5"	5"
7	1725	1/4	97	72	42	—	—	—	—	—	—	—	—	—
	3400	1/3	221	210	200	189	165	140	113	74	—	—	—	—
8	1725	1/4	198	168	131	90	—	—	—	—	—	—	—	—
	3400	1/3	—	—	—	389	358	326	290	252	213	167	109	—
	3450	1/2	443	427	412	397	366	335	300	262	225	181	127	—
10	1725	1/4	376	341	305	268	174	—	—	—	—	—	—	—
	3450	1	—	—	—	—	—	682	646	609	572	535	496	449
	3450	1½	806	788	770	752	717	682	646	609	572	535	496	449
14	1725	1	1158	1115	1071	1025	924	813	691	545	334	—	—	—
	3500	7½	—	—	—	—	—	—	2225	2181	2136	2090	2043	1994

# Performance Data — Belt Driven

## Size 7 CPB

Outlet Area: 0.04 Sq. Ft.

Wheel Dia. 6.75 In.

Tip Speed: 1.77 x RPM

CFM	OV	CFM AT STATIC PRESSURE																	
		0.25"		0.5"		0.75"		1"		1.5"		2"		2.5"		3"		3.5"	
		RPM	BHP	RPM	BHP	RPM	BHP	RPM	BHP	RPM	BHP	RPM	BHP	RPM	BHP	RPM	BHP	RPM	BHP
20	526																		
30	789	1033	0.00	1387	0.00														
40	1053	1111	0.00	1445	0.01	<b>1716</b>	<b>0.01</b>												
50	1316	1208	0.00	1515	0.01	1776	0.01	<b>2003</b>	<b>0.01</b>										
60	1579	1309	0.01	1604	0.01	1846	0.01	2066	0.02	<b>2446</b>	<b>0.03</b>	<b>2775</b>	<b>0.03</b>						
70	1842	1415	0.01	1702	0.01	1932	0.02	2137	0.02	2507	0.03	2829	0.04	<b>3117</b>	<b>0.05</b>				
80	2105	1525	0.01	1802	0.02	2029	0.02	2223	0.03	2575	0.04	2890	0.05	<b>3173</b>	<b>0.06</b>	<b>3432</b>	<b>0.07</b>	<b>3674</b>	<b>0.08</b>
90	2368	1642	0.01	1906	0.02	2127	0.03	2319	0.03	2652	0.04	2956	0.05	3234	0.07	3490	0.08	<b>3727</b>	<b>0.09</b>
100	2632	1766	0.02	2012	0.02	2228	0.03	2417	0.04	2741	0.05	3030	0.06	3301	0.08	3552	0.09	3786	0.10
110	2895	1893	0.02	2121	0.03	2332	0.04	2517	0.04	2838	0.06	3115	0.07	3374	0.09	3619	0.10	3850	0.11
120	3158	2024	0.03	2236	0.04	2437	0.04	2619	0.05	2936	0.07	3209	0.08	3456	0.10	3692	0.11	3917	0.13
130	3421	2155	0.04	2355	0.04	2545	0.05	2724	0.06	3035	0.08	3306	0.09	3547	0.11	3773	0.12	3991	0.14
140	3684	2288	0.04	2479	0.05	2657	0.06	2830	0.07	3136	0.09	3404	0.10	3644	0.12	3863	0.14		
150	3947	2423	0.05	2606	0.06	2774	0.07	2938	0.08	3239	0.10	3503	0.12	3742	0.14	3959	0.16		
160	4211	2558	0.06	2735	0.07	2894	0.08	3050	0.09	3344	0.11	3604	0.13	3840	0.15				
170	4474	2695	0.07	2866	0.08	3018	0.09	3165	0.10	3450	0.12	3707	0.15	3940	0.17				
180	4737	2832	0.09	2997	0.10	3145	0.11	3284	0.11	3558	0.14	3811	0.16						
190	5000	2971	0.10	3130	0.11	3273	0.12	3407	0.13	3668	0.15	3917	0.18						
200	5263	3110	0.11	3263	0.13	3402	0.14	3532	0.15	3781	0.17								
220	5789	3390	0.15	3533	0.16	3665	0.17	3787	0.19										

## Size 8 CPB

Outlet Area: 0.06 Sq. Ft.

Wheel Dia. 8.313 In.

Tip Speed: 2.18 x RPM

CFM	OV	CFM AT STATIC PRESSURE																	
		0.25"		0.5"		0.75"		1"		1.5"		2"		2.5"		3"		3.5"	
		RPM	BHP	RPM	BHP	RPM	BHP	RPM	BHP	RPM	BHP	RPM	BHP	RPM	BHP	RPM	BHP	RPM	BHP
60	1017	922	0.00	1206	0.01	<b>1432</b>	<b>0.01</b>	1626	0.02	1955	0.03	2235	0.04	2483	0.05	2709	0.06	2917	0.07
80	1356	1018	0.01	1283	0.01	1501	0.02	1689	0.02	<b>2011</b>	<b>0.03</b>	2286	0.04	2531	0.06	2753	0.07	2958	0.08
100	1695	1117	0.01	1374	0.02	1580	0.02	1762	0.03	2075	0.04	<b>2345</b>	<b>0.06</b>	<b>2586</b>	<b>0.07</b>	2806	0.08	3008	0.10
120	2034	1229	0.01	1473	0.02	1671	0.03	1843	0.04	2148	0.05	2412	0.07	<b>2648</b>	<b>0.08</b>	<b>2864</b>	<b>0.10</b>	<b>3065</b>	<b>0.12</b>
140	2373	1349	0.02	1573	0.03	1769	0.04	1936	0.05	2228	0.06	2486	0.08	2718	0.10	2930	0.12	<b>3127</b>	<b>0.14</b>
160	2712	1474	0.03	1682	0.04	1868	0.05	2035	0.06	2317	0.08	2566	0.10	2793	0.12	3001	0.14	3195	0.16
180	3051	1603	0.04	1799	0.05	1971	0.06	2134	0.07	2413	0.09	2653	0.11	2873	0.14	3078	0.16	3269	0.18
200	3390	1736	0.05	1920	0.06	2083	0.07	2235	0.08	2512	0.11	2748	0.13	2960	0.16	3159	0.18	3346	0.21
220	3729	1870	0.06	2045	0.07	2200	0.09	2343	0.10	2611	0.13	2847	0.15	3055	0.18	3247	0.21	3429	0.24
240	4068	2006	0.08	2173	0.09	2321	0.10	2457	0.12	2712	0.15	2946	0.18	3153	0.21	3342	0.24	3518	0.27
260	4407	2144	0.10	2303	0.11	2445	0.12	2576	0.14	2817	0.17	3044	0.20	3252	0.24	3440	0.27	3613	0.30
280	4746	2283	0.12	2436	0.13	2572	0.15	2698	0.16	2929	0.20	3146	0.23	3351	0.27	3539	0.30	3711	0.34
300	5085	2423	0.14	2570	0.16	2700	0.17	2822	0.19	3045	0.22	3252	0.26	3451	0.30	3637	0.34	3810	0.38
320	5424	2565	0.17	2705	0.19	2831	0.20	2948	0.22	3165	0.26	3363	0.29	3554	0.33	3736	0.37	3909	0.42
340	5763	2707	0.20	2842	0.22	2964	0.24	3077	0.26	3286	0.30	3479	0.33	3661	0.37	3838	0.41		
360	6102	2850	0.23	2979	0.25	3097	0.28	3207	0.30	3410	0.34	3597	0.38	3773	0.42	3943	0.46		
380	6441	2993	0.27	3118	0.29	3232	0.32	3339	0.34	3535	0.38	3718	0.42	3889	0.47				
400	6780	3138	0.31	3257	0.34	3368	0.36	3472	0.39	3662	0.43	3840	0.47						
440	7458	3427	0.41	3538	0.44	3642	0.47	3740	0.49	3922	0.54								
480	8136	3719	0.53	3822	0.56	3920	0.59												

CFM	OV	CFM AT STATIC PRESSURE																	
		4"		5"		6"		7"		8"		9"		10"		11"		12"	
		RPM	BHP	RPM	BHP	RPM	BHP	RPM	BHP	RPM	BHP	RPM	BHP	RPM	BHP	RPM	BHP	RPM	BHP
60	1017	3112	0.09	3469	0.12	3793	0.15												
80	1356	3149	0.10	3502	0.13	3822	0.16												
100	1695	3198	0.11	3546	0.15	3862	0.18												
120	2034	<b>3253</b>	<b>0.13</b>	3597	0.17	3910	0.21												
140	2373	<b>3312</b>	<b>0.15</b>	<b>3653</b>	<b>0.19</b>	3964	0.23												
160	2712	3377	0.18	<b>3713</b>	<b>0.22</b>														
180	3051	3448	0.21	3780	0.25														
200	3390	3523	0.23	3851	0.29														
220	3729	3603	0.27	3925	0.32														
240	4068	3687	0.30																

Bold face numbers indicate region of highest efficiency.  
Power ratings (BHP) do not include drive losses.



# Performance Data — Belt Driven

## Size 10 CPB

Outlet Area: 0.12 Sq. Ft.

Wheel Dia. 9.875 In.

Tip Speed: 2.59 x RPM

CFM	OV	CFM AT STATIC PRESSURE																	
		0.25"		0.5"		0.75"		1"		1.5"		2"		2.5"		3"		3.5"	
		RPM	BHP	RPM	BHP	RPM	BHP	RPM	BHP	RPM	BHP	RPM	BHP	RPM	BHP	RPM	BHP	RPM	BHP
100	847	771	0.01	995	0.01	<b>1176</b>	<b>0.02</b>	<b>1335</b>	<b>0.03</b>	1604	0.04	1832	0.06						
150	1271	913	0.02	1110	0.02	1281	0.03	1425	0.04	<b>1678</b>	<b>0.06</b>	<b>1900</b>	<b>0.08</b>	<b>2099</b>	<b>0.11</b>	2280	0.13	2446	0.15
200	1695	1076	0.03	1253	0.04	1401	0.05	1541	0.06	1784	0.09	1989	0.12	<b>2177</b>	<b>0.14</b>	<b>2352</b>	<b>0.17</b>	<b>2516</b>	<b>0.20</b>
250	2119	1252	0.05	1413	0.06	1551	0.08	1672	0.09	1900	0.12	2104	0.16	2284	0.19	2447	0.22	2601	0.25
300	2542	1436	0.07	1581	0.09	1710	0.11	1826	0.13	2030	0.16	2220	0.20	2400	0.24	2563	0.28	2712	0.32
350	2966	1625	0.11	1758	0.13	1877	0.15	1987	0.17	2182	0.21	2354	0.25	2519	0.30	2678	0.34	2828	0.39
400	3390	1818	0.16	1941	0.18	2050	0.21	2153	0.23	2340	0.28	2507	0.32	2658	0.37	2803	0.42	2945	0.47
450	3814	2013	0.22	2128	0.24	2230	0.27	2326	0.30	2503	0.35	2665	0.41	2811	0.46	2947	0.51	3077	0.56
500	4237	2211	0.29	2318	0.32	2415	0.35	2504	0.38	2671	0.44	2826	0.50	2969	0.56	3102	0.62	3225	0.67
550	4661	2411	0.38	2510	0.41	2602	0.44	2687	0.48	2844	0.55	2992	0.61	3130	0.68	3260	0.74	3381	0.81
600	5085	2612	0.48	2705	0.52	2791	0.55	2873	0.59	3022	0.67	3162	0.74	3295	0.81	3421	0.88	3540	0.96
650	5508	2814	0.61	2901	0.65	2983	0.68	3061	0.72	3204	0.80	3337	0.89	3464	0.96	3585	1.04	3701	1.12
700	5932	3017	0.75	3099	0.79	3177	0.84	3251	0.88	3388	0.96	3516	1.05	3637	1.14	3753	1.22	3865	1.31
750	6356	3220	0.92	3298	0.96	3372	1.01	3442	1.05	3575	1.14	3697	1.24	3814	1.33	3925	1.42		

CFM	OV	CFM AT STATIC PRESSURE																	
		4"		5"		6"		7"		8"		9"		10"		11"		12"	
		RPM	BHP	RPM	BHP	RPM	BHP	RPM	BHP	RPM	BHP	RPM	BHP	RPM	BHP	RPM	BHP	RPM	BHP
250	2119	2749	0.28	<b>3024</b>	<b>0.35</b>	<b>3277</b>	<b>0.42</b>	<b>3512</b>	<b>0.49</b>	3730	0.57	3936	0.64						
300	2542	2851	0.35	3111	0.43	<b>3355</b>	<b>0.51</b>	<b>3585</b>	<b>0.59</b>	<b>3801</b>	<b>0.67</b>								
350	2966	2968	0.43	3221	0.52	3453	0.61	3672	0.70	3881	0.79								
400	3390	3083	0.52	3338	0.62	3567	0.73	3779	0.83	3978	0.93								
450	3814	3205	0.61	3453	0.73	3684	0.85	3896	0.97										
500	4237	3344	0.73	3575	0.85	3799	0.98												
550	4661	3496	0.87	3713	0.99	3922	1.12												
600	5085	3653	1.03	3862	1.16														

## Size 14 CPB

Outlet Area: 0.23 Sq. Ft.

Wheel Dia. 14 In.

Tip Speed: 3.67 x RPM

CFM	OV	CFM AT STATIC PRESSURE																	
		0.25"		0.5"		0.75"		1"		1.5"		2"		2.5"		3"		3.5"	
		RPM	BHP	RPM	BHP	RPM	BHP	RPM	BHP	RPM	BHP	RPM	BHP	RPM	BHP	RPM	BHP	RPM	BHP
200	877	530	0.02	689	0.03	<b>818</b>	<b>0.04</b>	<b>931</b>	<b>0.06</b>	1122	0.09	1285	0.12	1429	0.15	1561	0.18	1682	0.22
300	1316	623	0.03	764	0.05	883	0.07	985	0.09	1165	0.13	<b>1323</b>	<b>0.17</b>	<b>1465</b>	<b>0.21</b>	<b>1593</b>	<b>0.25</b>	1712	0.30
400	1754	730	0.06	856	0.08	963	0.11	1061	0.13	1230	0.18	1377	0.23	1511	0.28	<b>1636</b>	<b>0.34</b>	<b>1752</b>	<b>0.39</b>
500	2193	847	0.10	959	0.13	1058	0.16	1147	0.19	1307	0.25	1449	0.31	1576	0.37	1693	0.44	1803	0.50
600	2632	972	0.16	1071	0.19	1162	0.22	1245	0.26	1393	0.33	1528	0.41	1652	0.48	1766	0.55	1871	0.63
700	3070	1102	0.23	1190	0.27	1272	0.31	1349	0.35	1490	0.44	1616	0.52	1733	0.61	1843	0.69	1947	0.77
800	3509	1235	0.34	1314	0.38	1388	0.42	1459	0.47	1592	0.56	1712	0.66	1823	0.76	1927	0.86	2026	0.95
900	3947	1370	0.47	1441	0.51	1509	0.56	1575	0.61	1698	0.72	1813	0.82	1920	0.93	2019	1.04	2113	1.15
1000	4386	1507	0.63	1572	0.68	1634	0.73	1695	0.79	1810	0.9	1919	1.02	2021	1.14	2117	1.26	2208	1.38
1200	5263	1783	1.06	1839	1.12	1892	1.18	1945	1.25	2046	1.38	2142	1.51	2234	1.65	2323	1.79	2409	1.94
1400	6140	2063	1.65	2111	1.72	2158	1.80	2204	1.87	2293	2.02	2380	2.18	2463	2.34	2543	2.49	2622	2.66
1600	7018	2345	2.44	2387	2.52	2429	2.61	2470	2.69	2550	2.86	2627	3.04	2703	3.21	2776	3.39	2848	3.57
1800	7895	2628	3.45	2666	3.54	2703	3.63	2740	3.73	2812	3.92	2882	4.11	2951	4.31	3019	4.51	3085	4.71
2000	8772	2912	4.70	2946	4.81	2980	4.91	3013	5.02	3079	5.23	3143	5.44	3207	5.66	3269	5.88	3330	6.10

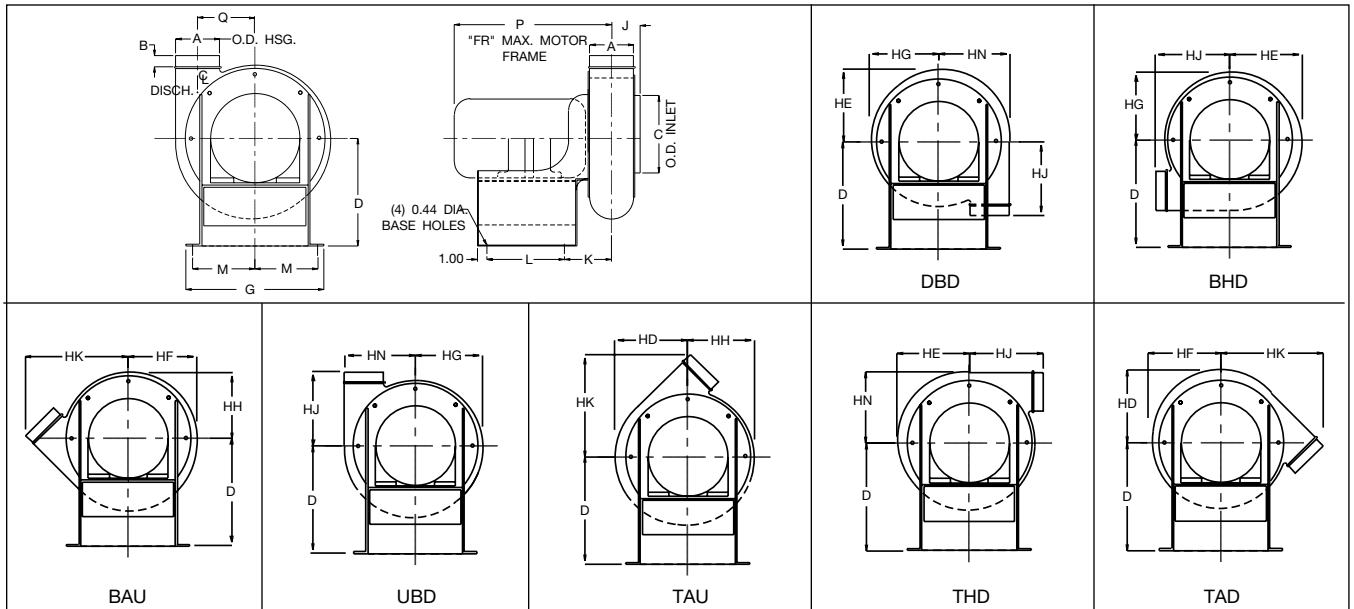
CFM	OV	CFM AT STATIC PRESSURE																	
		4"		5"		6"		7"		8"		9"		10"		11"		12"	
		RPM	BHP	RPM	BHP	RPM	BHP	RPM	BHP	RPM	BHP	RPM	BHP	RPM	BHP	RPM	BHP	RPM	BHP
500	2193	1908	0.57	<b>2104</b>	<b>0.70</b>	<b>2284</b>	<b>0.84</b>	<b>2450</b>	<b>0.98</b>	<b>2606</b>	<b>1.13</b>	2752	1.27	2891	1.42	3024	1.57	3150	1.73
600	2632	1971	0.70	2157	0.86	2331	1.02	<b>2493</b>	<b>1.18</b>	<b>2647</b>	<b>1.34</b>	<b>2792</b>	<b>1.51</b>	<b>2929</b>	<b>1.68</b>	<b>3061</b>	<b>1.86</b>	<b>3187</b>	<b>2.03</b>
700	3070	2044	0.86	2224	1.04	2390	1.22	2546	1.40	2695	1.59	<b>2837</b>	<b>1.77</b>	<b>2972</b>	<b>1.96</b>	<b>3102</b>	<b>2.16</b>	<b>3226</b>	<b>2.35</b>
800	3509	2122	1.05	2299	1.24	2461	1.44	2611	1.64	2754	1.85	2891	2.06	3022	2.27	<b>3149</b>	<b>2.48</b>	<b>3271</b>	<b>2.70</b>
900	3947	2204	1.26	2376	1.48	2536	1.69	2685	1.91	2824	2.14	2956	2.37	3083	2.61	3205	2.84	3324	3.08
1000	4386	2294	1.50	2459	1.75	2615	1.99	2761	2.22	2899	2.47	3029	2.72	3153	2.97	3272	3.23	3386	3.48
1100	4825	2390	1.77	2548	2.04	2698	2.31	2840	2.57	2976	2.84	3105	3.10	3227	3.37	3344	3.64	3457	3.92
1200	5263	2490	2.08	2643	2.37	2787	2.67	2924	2.96	3056	3.25	3182	3.53	3304	3.82	3420	4.11	3532	4.41
1300	5702	2593	2.43	2742	2.74	2881	3.06	3014	3.38	3141	3.69	3264	4.01	3383	4.32	3497	4.62		
1400	6140	2698	2.82	2844	3.16	2980	3.49	3108	3.83	3231	4.18	3350	4.52	3465	4.86	3577	5.19		
1500	6579	2807	3.26	2948	3.62	3081	3.98	3206	4.34	3326	4.70	3441	5.07	3553	5.44				
1600	7018	2918	3.75	3054	4.13	3184	4.51	3307	4.89	3424	5.28	3536	5.67						
1700	7456	3033	4.30	3163	4.69	3289	5.09	3409	5.50	3525	5.91								
1800	7895	3150	4.91	3275	5.32	3397	5.74	3514	6.16										
1900	8333	3269	5.58	3390	6.01	3507	6.44												
2000	8772	3390	6.32	3507	6.76														

Bold face numbers indicate region of highest efficiency.

Power ratings (BHP) do not include drive losses.

# Dimensional Data

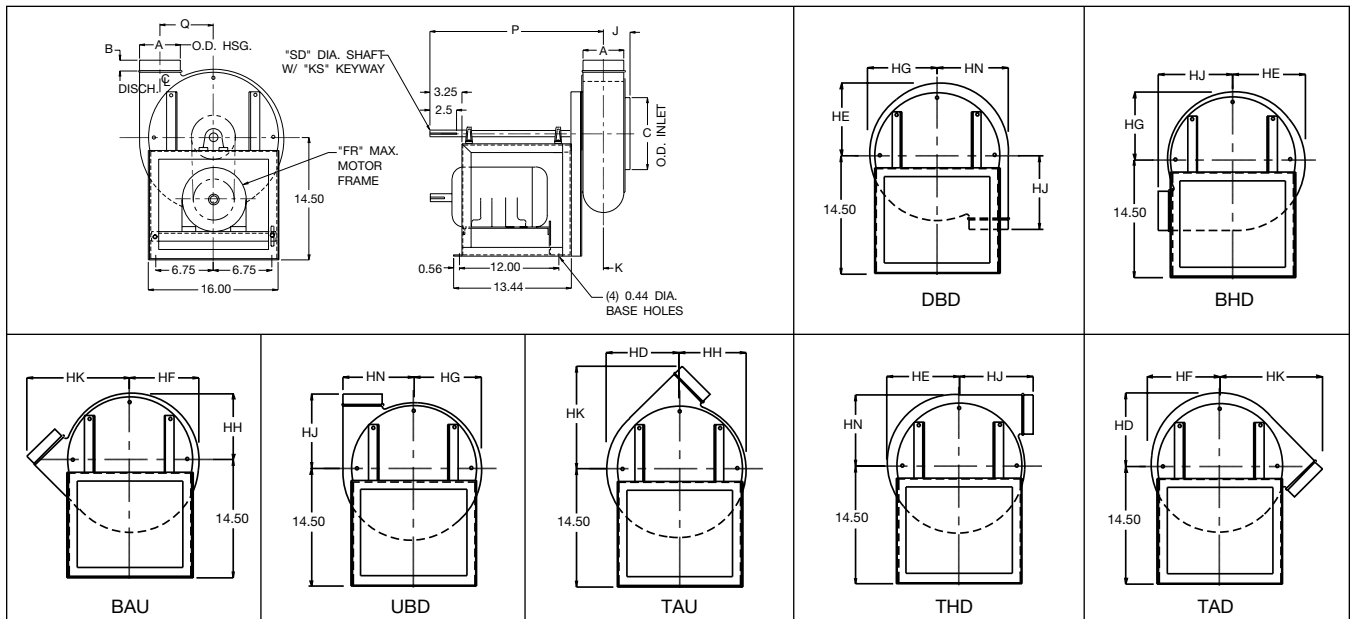
## Arrangement 4



SIZE	A	B	C	D	FR	G	HD	HE	HF	HG	HH	HJ	HK	HN	J	K	L	M	P	Q
7	3.00	0.75	4.88	10.75	56	11.25	5.56	5.38	5.19	5.00	4.81	4.81	7.50	5.75	2.44	4.50	5.00	5.00	14.00	4.25
8	3.62	1.06	5.50	11.25	56	11.25	6.81	6.50	6.25	5.94	5.69	5.50	8.88	7.00	3.00	4.81	5.00	5.00	14.75	5.19
10	5.00	1.19	5.88	11.25	143T	11.25	7.56	7.31	7.12	6.88	6.69	7.12	10.50	7.75	3.44	5.13	5.00	5.00	15.50	5.25
14	6.75	1.25	7.75	13.75	184T	18.75	10.25	9.94	9.62	9.31	9.00	9.81	14.50	10.56	4.50	6.19	8.50	8.75	18.00	7.19

R29297C

## Arrangement 10



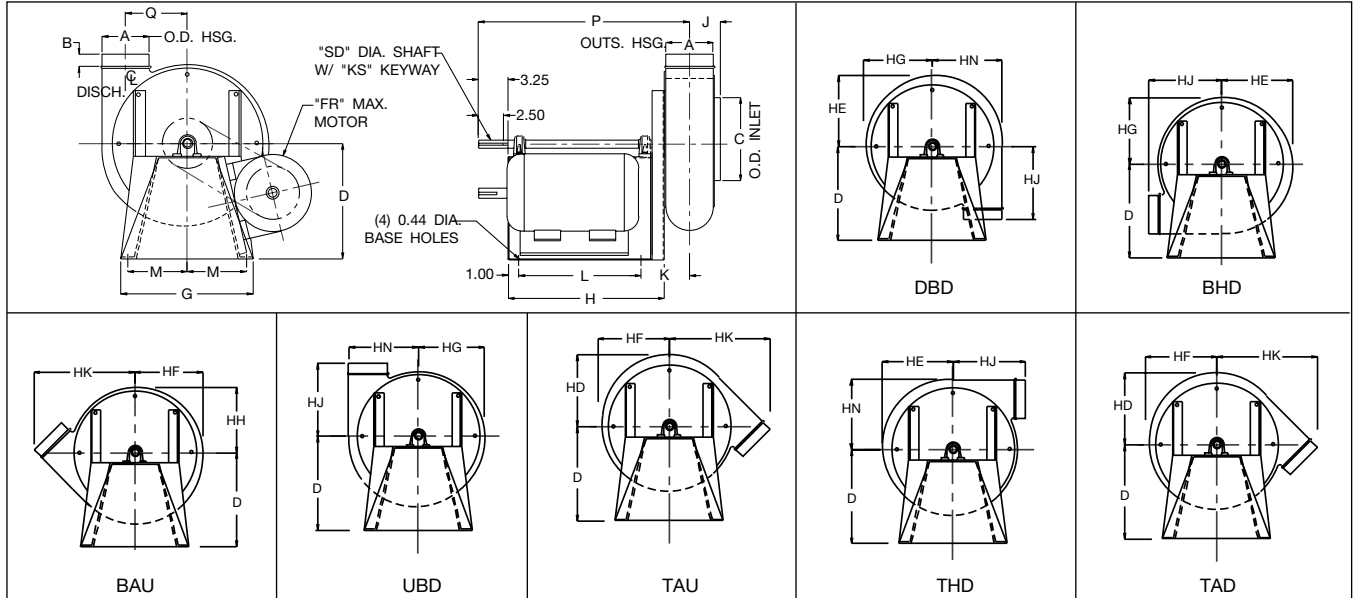
SIZE	A	B	C	FR	HD	HE	HF	HG	HH	HJ	HK	HN	J	K	KS	P	Q	SD
7	3.00	0.75	4.88	48	5.56	5.38	5.19	5.00	4.81	4.81	7.50	5.75	2.44	3.94	.19x.09	18.44	4.25	0.63
8	3.62	1.06	5.50	56	6.81	6.50	6.25	5.94	5.69	5.50	8.88	7.00	3.00	4.25	.19x.09	18.75	5.19	0.63
10	5.00	1.19	5.88	145T	7.56	7.31	7.12	6.88	6.69	7.12	10.50	7.75	3.44	4.56	.19x.09	19.38	5.25	0.75
14	6.75	1.25	7.75	145T	10.25	9.94	9.62	9.31	9.00	9.81	14.50	10.56	4.50	5.63	.25x.13	20.25	7.19	1.19

R29294C

DIMENSIONS ARE NOT TO BE USED FOR CONSTRUCTION. CERTIFIED DRAWINGS AVAILABLE UPON REQUEST.

# Dimensional Data

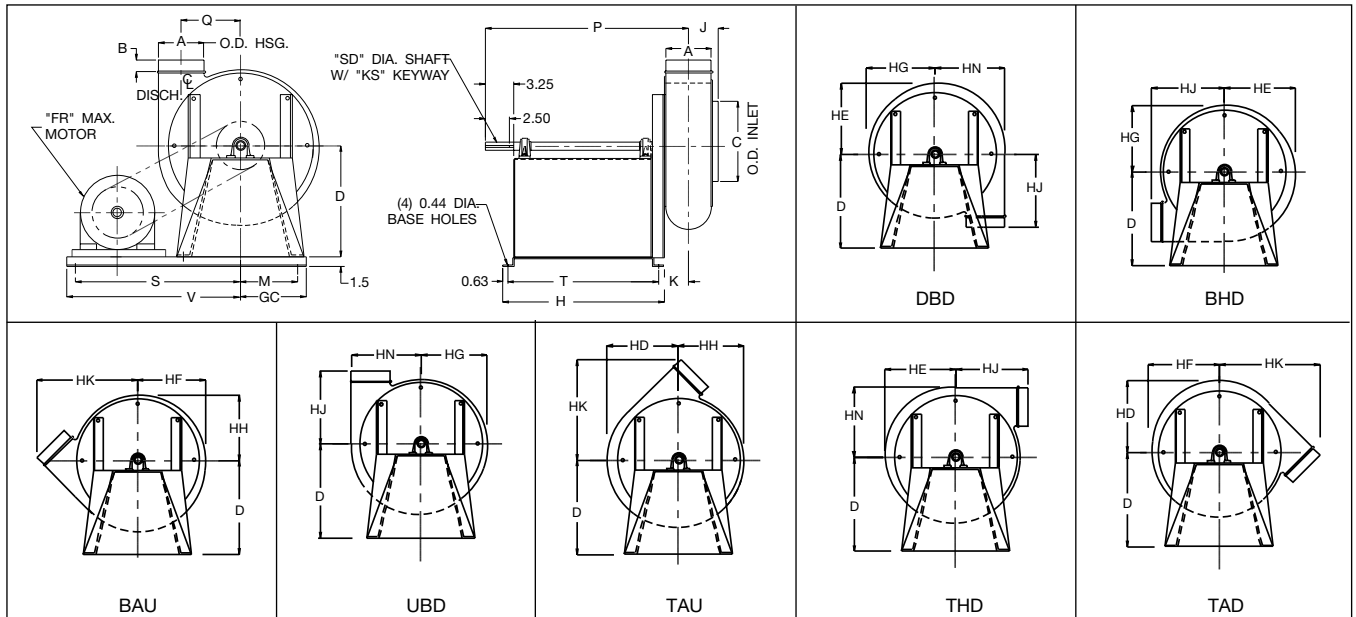
## Arrangement 1 & 9



SIZE	A	B	C	D	FR	G	H	HD	HE	HF	HG	HH	HJ	HK	HN	J	K	KS	L	M	P	Q	SD
7	3.00	0.75	4.88	11.00	48	11.25	15.31	5.56	5.38	5.19	5.00	4.81	4.81	7.50	5.75	2.44	4.50	.19x.09	11.50	4.88	20.31	4.25	0.63
8	3.62	1.06	5.50	11.00	56	11.25	15.31	6.81	6.50	6.25	5.94	5.69	5.50	8.88	7.00	3.00	4.81	.19x.09	11.50	4.88	20.63	5.19	0.63
10	5.00	1.19	5.88	13.38	145T	13.25	18.63	7.56	7.31	7.12	6.88	6.69	7.12	10.50	7.75	3.44	5.25	.19x.09	14.88	5.88	24.69	5.25	0.75
14	6.75	1.25	7.75	13.50	184T	15.75	18.63	10.25	9.94	9.62	9.31	9.00	9.81	14.50	10.56	4.50	6.31	.25x.13	14.88	7.13	25.56	7.19	1.19

R29295B

## Arrangement 9F



SIZE	A	B	C	D	FR	G	GC	H	HD	HE	HF	HG	HH	HJ	HK	HN	J	K	KS	M	P	Q	S	SD	T	V
7	3.00	0.75	4.88	11.00	48	11.25	5.75	17.00	5.56	5.38	5.19	5.00	4.81	4.81	7.50	5.75	2.44	2.06	.19 x .09	4.88	20.31	4.25	18.25	0.63	15.75	19.25
8	3.62	1.06	5.50	11.00	56	11.25	5.75	17.00	6.81	6.50	6.25	5.94	5.69	5.50	8.88	7.00	3.00	2.38	.19 x .09	4.88	20.63	5.19	18.25	0.63	15.75	19.25
10	5.00	1.19	5.88	13.38	145T	13.25	6.75	20.38	7.56	7.31	7.12	6.88	6.69	7.12	10.50	7.75	3.44	2.81	.19 x .09	5.88	24.69	5.25	21.38	0.75	19.13	22.38
14	6.75	1.25	7.75	13.50	184T	15.75	8.00	20.38	10.25	9.94	9.62	9.31	9.00	9.81	14.50	10.56	4.50	3.88	.25 x .13	7.13	25.56	7.19	22.63	1.19	19.13	23.63

R29296B

DIMENSIONS ARE NOT TO BE USED FOR CONSTRUCTION. CERTIFIED DRAWINGS AVAILABLE UPON REQUEST.

# Typical Specifications

Furnish and install Model CPB Cast Iron Pressure Blowers, as manufactured by Aerovent, Minneapolis, Minnesota. Fans shall be of the size and arrangement as indicated in the fan schedule.

**HOUSINGS-** All housings shall be one-piece heavy duty cast iron construction. All units shall be built with an adjustable discharge housing which can be field rotated to any of the eight standard positions.

**WHEELS-** The wheel shall be of the radial bladed backplate design, and shall be cast aluminum construction. Wheels shall be suitable for exhaust purposes where low volume and high pressure applications exist.

**BEARINGS-** Bearings on belt driven units shall be selected to have a minimum average life of 200,000 hours (L-10 minimum life of 40,000 hours) based on AFBMA rating designations. The bearings shall be pillow block type, heavy duty, anti-friction, self-aligning ball bearings.

**SHAFTS-** Fan shafts shall be per AISI 1040 or 1045 hot rolled steel, accurately turned, ground, polished, and ring-gauged for accuracy. Shafts shall be sized so that the first critical speed will be at least 1.40 times the maximum operating speed.

**MOTORS-** Fan motors shall be foot-mounted NEMA Design B, standard industrial, continuous duty, ball bearing, variable torque type suitable for operation on voltage, phase and hertz as listed in the fan schedule. Motor bearings shall have a minimum L-10 life, as defined by AFBMA, of at least 40,000 hours (200,000 hours average life).

**FINISH-** The unit, after fabrication, shall be cleaned and chemically pretreated by a phosphatizing process and shall be painted inside and outside with an alkyd primer and finish painted with an air dry enamel.

**BALANCING-** Prior to shipment all fans shall be completely assembled and test run as a unit at the operating speed. Final balance of the completed fan assembly shall be taken by electronic equipment. Records of the vibration readings in the axial, vertical, and horizontal planes shall be maintained and a written copy of this record shall be available upon request.

**SUBMITTALS-**Submittals for approval of equipment shall include copies of outline drawings and pressure-volume performance curves showing point of operation.

**ACCESSORIES-** The fans shall be supplied with the following optional accessories:

- ♦ Inlet Screen
- ♦ Companion Flange, Inlet
- ♦ Companion Flange, Outlet
- ♦ Weather Cover (Arr. 10)
- ♦ Drain
- ♦ Drain With Plug
- ♦ Flanged Inlet – Punched
- ♦ Flanged Outlet – Punched
- ♦ Type C Spark Resistant Construction
- ♦ Motor Cover (Arr. 4)
- ♦ OSHA Belt Guard (Arr. 1, 9, or 9F)
- ♦ OSHA Shaft and Bearing Guard (Arr. 1, 9, 9F, or 10)
- ♦ Shaft Seal (Belt Driven Only)
- ♦ Type B Spark Resistant Construction
- ♦ Special Coatings
- ♦ Floor Mount Isolators, RIS (Arr. 9F)
- ♦ Floor Mount Isolators, Spring (Arr. 9F)

## Fan Weights Without Motor

ARRANGEMENT	CPB-7	CPB-8	CPB-10	CPB-14
1, 4, 9, 10	29	51	74	131
9F	54	79	106	168

## Motor Weights

FRAME	48	56	143T	145T	182T	184T
OPEN DP	30	33	35	44	66	68
TE	30	33	35	44	67	75



©2009 Twin City Fan Companies, Ltd.

Bulletin illustrations cover the general appearance of Aerovent products at the time of publication and we reserve the right to make changes in design and construction at any time without notice.



---

**PROPELLER FANS | TUBEAXIAL & VANEAXIAL FANS | CENTRIFUGAL FANS & BLOWERS | ROOF VENTILATORS  
INDUSTRIAL AIR HANDLERS | AIR MAKE-UP | FIBERGLASS FANS | CUSTOM FANS**



**AEROVENT**  
**A Twin City Fan Company**

The Aerovent logo, featuring the word 'Aerovent' in a bold, white, sans-serif font with a red outline, set against a red circular background with a white center.

**[WWW.AEROVENT.COM](http://WWW.AEROVENT.COM)**

---

**5959 Trenton Lane N | Minneapolis, MN 55442 | Phone: 763-551-7500 | Fax: 763-551-7501**