

# MARINE DUTY FANS STOCKING PROGRAM



**When you need a Marine Duty Fan in a hurry, you can count on Aerovent's Stocking Program.**

## **MDVW Vaneaxial Fans**

- 1/4" housing thickness
- Hot-Dip Galvanized
- Adjustable Pitch Aluminum Propeller with Epoxy Coating
- Full Welded Construction
- IEEE 45 Marine Duty Motors
- Cast Aluminum Conduit Box with Screw-On Cover (weather tight NEMA 4 enclosure)
- Welded Ring Guard for Grease Zerks



**Model MDVW**  
**Stocked Sizes 18" to 33"**

## **MDTM Tubeaxial Fans & MDVM Vaneaxial Fans**

- 1/4" housing thickness
- Hot-Dip Galvanized
- Fixed Pitch Aluminum Propeller with Epoxy Coating
- Full Welded Construction
- IEEE 45 Marine Duty Motors
- Cast Aluminum Conduit Box with Screw-On Cover (weather tight NEMA 4 enclosure)
- Welded Ring Guard for Grease Zerks
- Bolt-On Vane Section (MTVM Only)



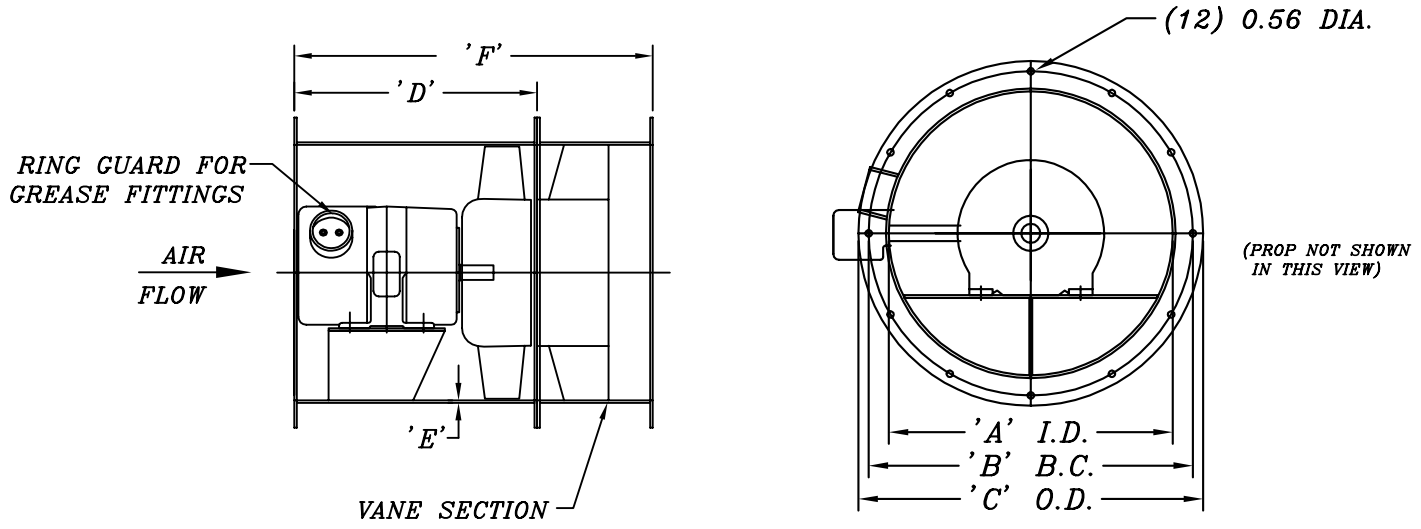
**Model MDTM & MDVM**  
**Stocked Sizes 12" & 16"**



**Fans Ship Within 48 Hours**

Same day shipping available based on the time of day order is placed. All products ship from our Aberdeen, South Dakota facility.

# Model MDTM & MDVM



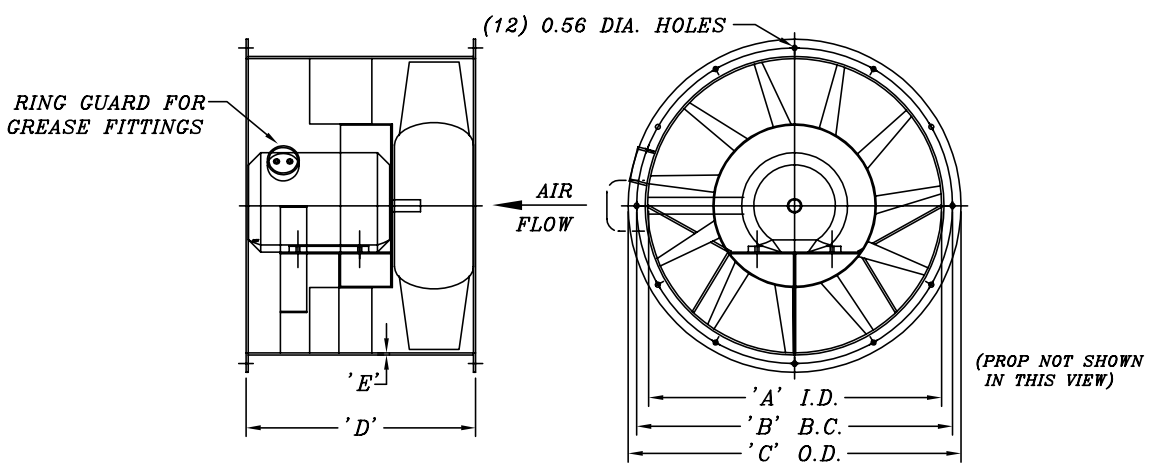
MDTM Dimensions						
Size	A	B	C	D	E	Max Motor Frame
12D6	12.16	15.13	16.28	15	1/4	145T
16D4	16.15	19.13	20.25	18	1/4	184T

MDTM Dimensions													
Prop	Model	HP	RPM	0" SP CFM	0.25" SP CFM	0.5" SP CFM	0.75" SP CFM	1" SP CFM	1.25" SP CFM	1.5" SP CFM	1.75" SP CFM	2" SP CFM	2.5" SP CFM
12D640	MDTM	1	3450	2570	2481	2387	2287	2178	2062	1943	-	-	-
16D440	MDTM	3	3450	5917	5759	5594	5421	5238	5042	4835	4621	4402	3833

MDVM Dimensions (with vane section)							
Size	A	B	C	D	E	F	Max Motor Frame
12D6	12.16	15.13	16.28	15	1/4	21	145T
16D4	16.15	19.13	20.25	18	1/4	25	184T

MDVM Dimensions (with vane section)													
Prop	Model	HP	RPM	0" SP CFM	0.25" SP CFM	0.5" SP CFM	0.75" SP CFM	1" SP CFM	1.25" SP CFM	1.5" SP CFM	1.75" SP CFM	2" SP CFM	2.5" SP CFM
12D640	MDVM	1	3450	2694	2632	2568	2500	2428	2353	2272	2186	2092	1868
16D440	MDVM	3	3450	6038	5903	5762	5614	5457	5289	5108	4910	4690	4162

# Model MDVW



MDVW Dimensions						
Size	A	B	C	D	E	Max Motor Frame
18	18.18	21.12	22.68	20	1/4	184T
25	25.31	27.63	29.31	23	1/4	184T
29	29.19	31.62	33.19	23	1/4	215T
33	33.31	35.75	37.69	26	1/4	215T

MDVW Dimensions (with vane section)														
Prop	Model	HP	RPM	0" SP CFM	0.25" SP CFM	0.5" SP CFM	0.75" SP CFM	1" SP CFM	1.25" SP CFM	1.5" SP CFM	1.75" SP CFM	2" SP CFM	2.5" SP CFM	3" SP CFM
18W730	MDVW	5	3450	8004	7889	7771	7649	7522	7391	7254	-	-	-	-
25W726	MDVW	5	1750	9418	9054	8678	8293	7903	7470	6971	6196	3668	2377	1330
29W726	MDVW	7 1/2	1750	14702	14280	13849	13409	12962	12513	12040	11512	10927	6721	4669
33W726	MDVW	10	1750	21662	21187	20700	20205	19701	19192	18684	18163	17611	16355	14552