

AEROVENT

INDUSTRIAL VENTILATION SYSTEMS



BACKSWEEP PROPELLERS™



MODELS: BSA / BSP

PATENT PENDING



CATALOG 567
MAY 2011

Construction/Design Features

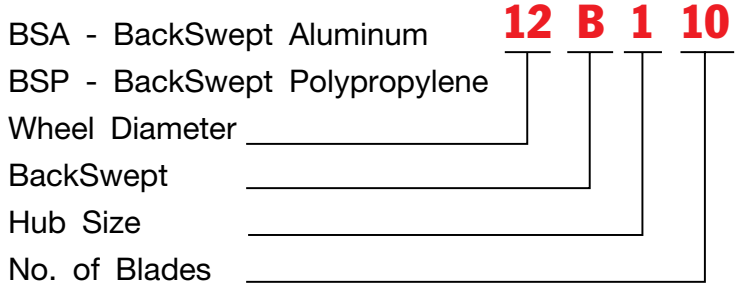
- Unique BackSwept Profile with Airfoil Cross Section
- Diecast Aluminum Construction
- Blades also available in GRP (Polypropylene)
- Adjustable Pitch Blade Design
- Blades can be Trimmed to Meet Any Diameter
- Propeller Diameter 12" to 55" with 2, 3, 4, 5, 6, 9, 10 and 12 Blade Options
- Propeller uses Split Taper Lock Bushing for Superior Holding Power on Shaft



PERFORMANCE

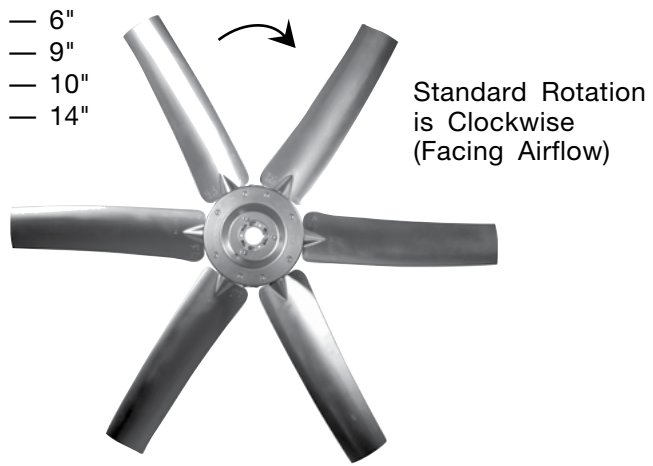
- Delivers High Airflow up to 110,000 CFM
- Static Pressure to 7"
- Maximum Temperature 275° F
- Generates Low Wake Turbulence for Low Noise Emission
- Fans Tested in Accordance with AMCA 210-07 for Air Performance
- Fans Tested in Accordance with AMCA 300-05 for Sound Performance

NOMENCLATURE

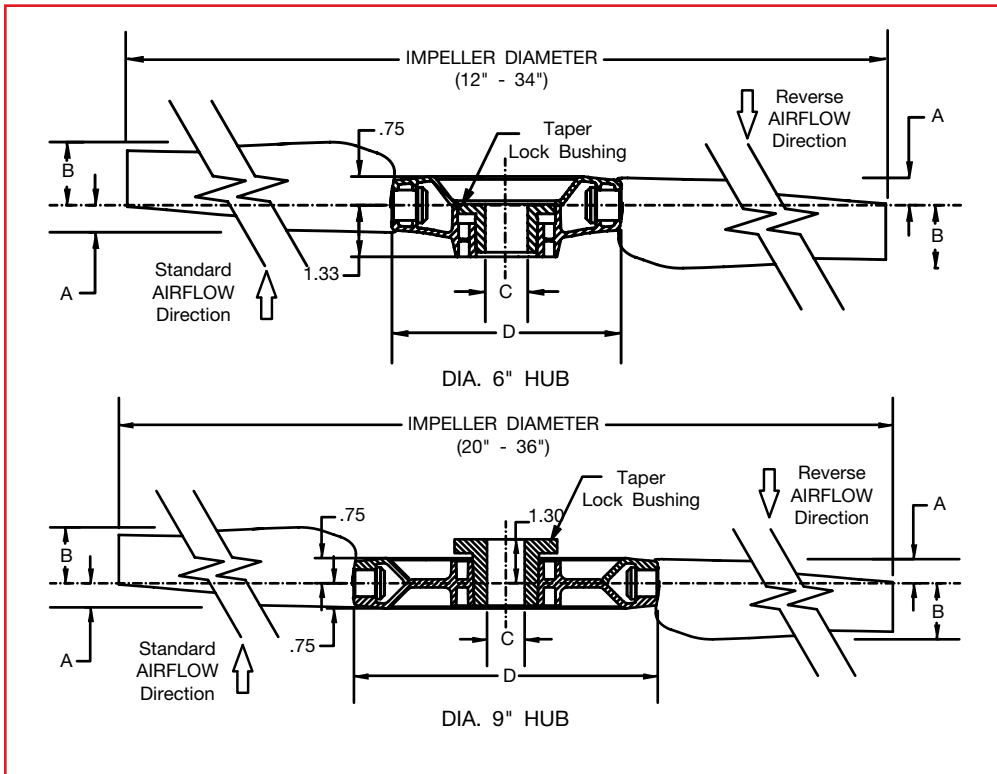


Hub Size

- 1 — 6"
- 2 — 9"
- 3 — 10"
- 4 — 14"



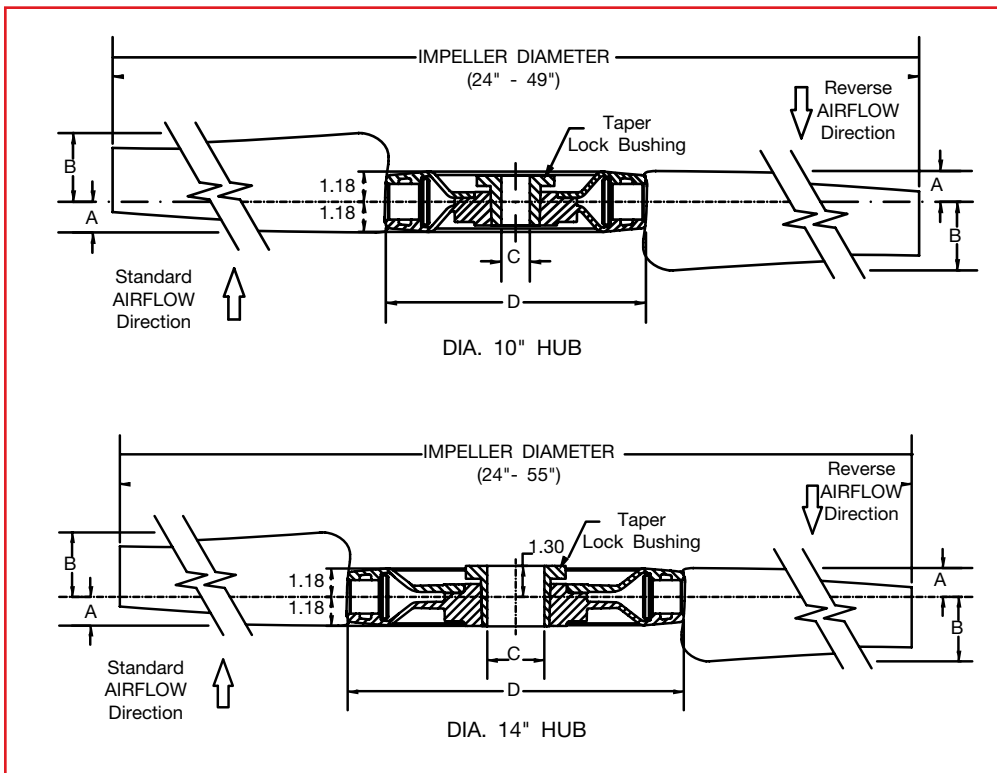
PROP. DIA. 12"- 36" HUB DIA. 6" & 9"



Hub Size	Max. Bore C	Hub Dia., D
6"	1.50"	5.90"
9"	1.69"	8.85"

Pitch Angle	A	B
15 degrees	.39"	1.18"
20 degrees	.59"	1.49"
25 degrees	.70"	1.65"
30 degrees	.86"	1.77"
35 degrees	.98"	1.82"
40 degrees	1.10"	2.00"

PROP. DIA. 24"- 55" HUB DIA. 10" & 14"



Hub Size	Max. Bore C	Hub Dia., D
10"	1.69"	10.03"
14"	2.69"	13.77"

Pitch Angle	A	B
15 degrees	.82"	1.49"
20 degrees	.82"	1.77"
25 degrees	.82"	2.00"
30 degrees	.86"	2.24"
35 degrees	1.02"	2.48"
40 degrees	1.22"	2.67"

PROPELLER OPTIONS

Hub Size	No. of Blades	Prop. Dia. Range
6"	5 & 10	12" to 34"
9"	3, 6, 9 & 12	20" to 36"
10"	2, 3, 4 & 6	24" to 49"
14"	3, 6, 9 & 12	24" to 55"

12 - 34"



6" Hub (5 blades)



6" Hub (10 blades)

20 - 36"



9" Hub (3 blades)



9" Hub (6 blades)



9" Hub (9 blades)



9" Hub (12 blades)

24 - 49"



10" Hub (2 blades)



10" Hub (3 blades)



10" Hub (4 blades)



10" Hub (6 blades)

24 - 55"



14" Hub (3 blades)



14" Hub (6 blades)



14" Hub (9 blades)



14" Hub (12 blades)

