

MANCOOLERS MACHETA® AIRFOIL IMPELLER



MODEL: PUM





Shipping Department Ventilation, Model PUM

Model PUM

- 16" to 48" impeller diameters
- Airflow to 41,200 CFM
- Static pressure to 34" w.g.



Model PUM

The PUM Stationary Mancooler provides spot cooling and area ventilation while being mounted in an out-of-the-way location. Designed for either wall, column, ceiling or floor mounting, the stationary mancooler can be adjusted for airflow in any direction. The stationary mancooler is provided with a predrilled base plate for mounting to whatever structure is desired.

Typical Applications Include

Factories, Warehouses, Garages, Agriculture

Configurations

Arrangement 4, Stationary

Impeller Types

Cast Aluminum

Special Motors

Available in whatever modification is desired. Ask your Aerovent salesperson for specifics.

Energy Regulations

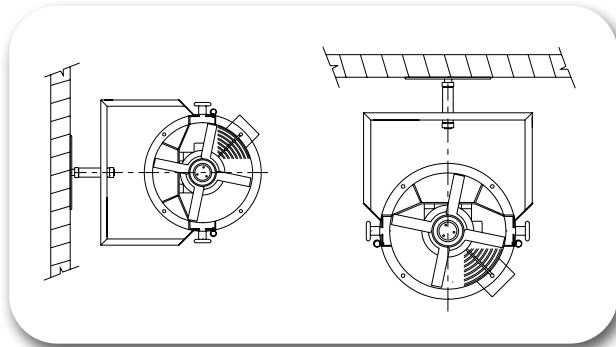
Aerovent supports energy efficiency regulations enacted by the U.S. Department of Energy (DOE) and specific states. The selection and application of fan products is a significant part of these regulations. Engineers and specifiers must understand how to apply Aerovent products to their specific applications to meet applicable DOE and state regulatory requirements. Aerovent has made significant investments in product testing and development to provide efficient products. Developments in Aerovent's Fan Selector software are in place to aid your decision in product selection to assist with meeting the efficiency requirements as stipulated in the applicable regulations.

AEROVENT 
INDUSTRIAL VENTILATION SYSTEMS



For complete product performance, drawings and available accessories, download our Fan Selector software at aerovent.com.

Engineering Data

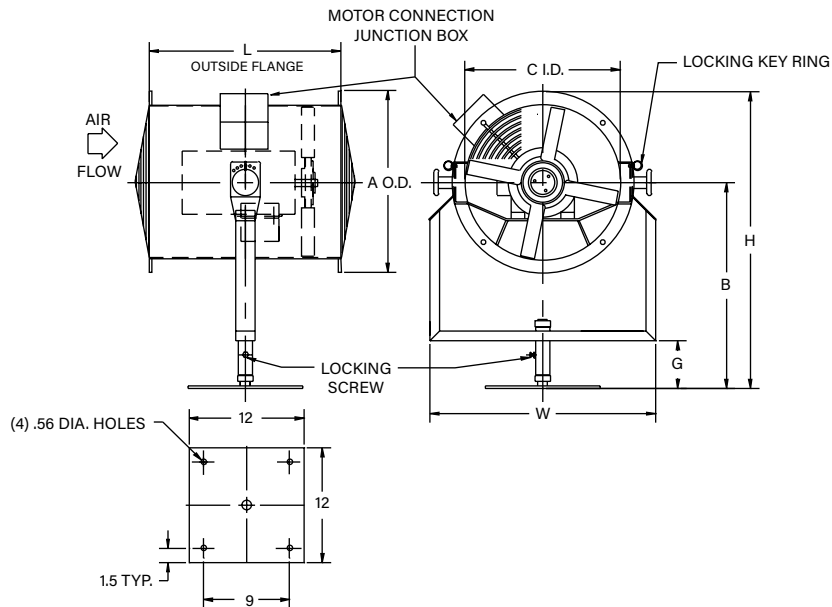


Wall Mount

Floor/Ceiling Mount

FAN SIZE	FAN WEIGHT (LBS.)
16	102
18	109
21	165
24	197
28	236
30	317
32	330
36	350
42	363
48	396
	396
	476
	527
	668
	719
	743
	995
	995

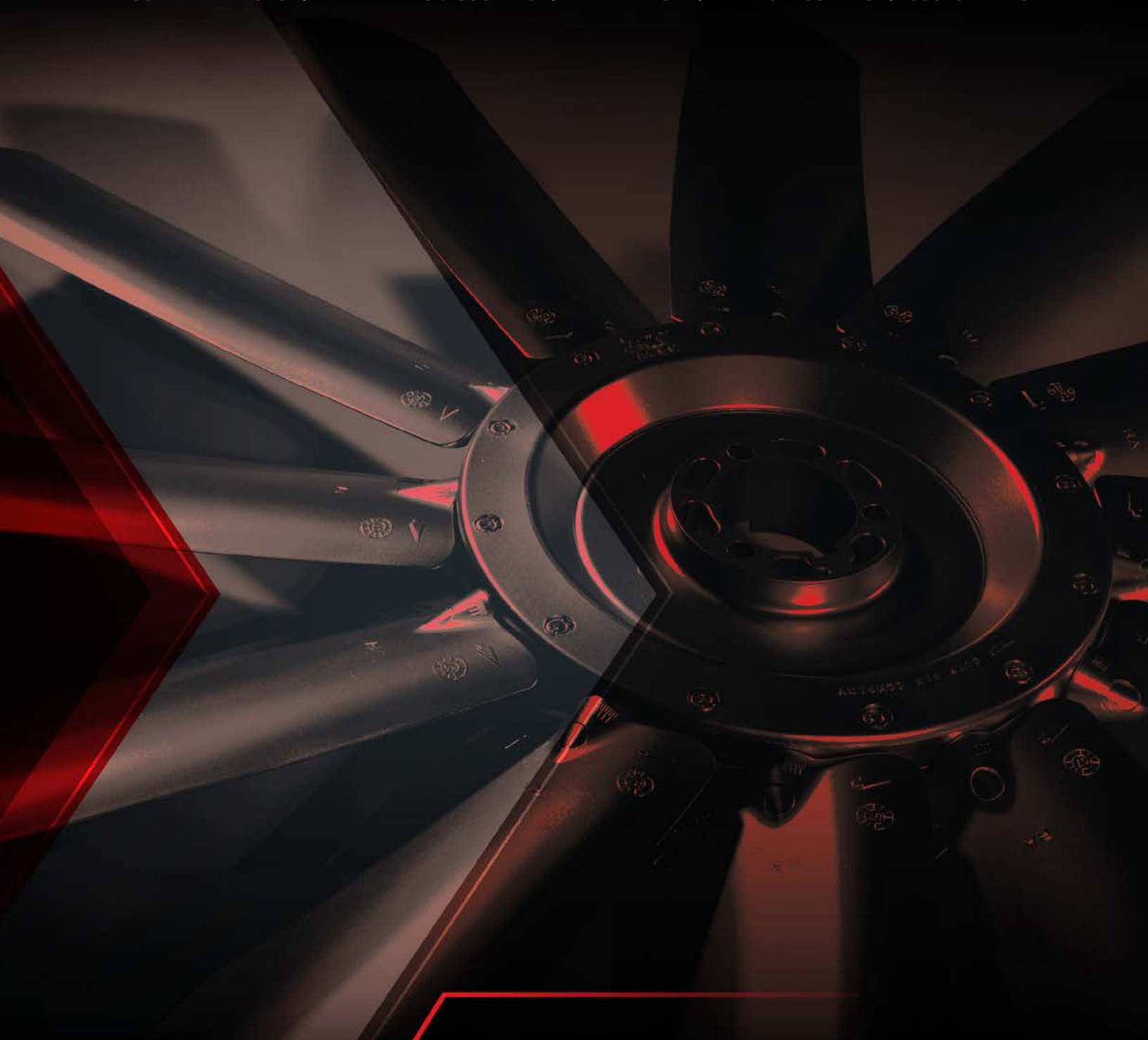
Dimensional Data



FAN SIZE	A	B	C	D	H	L	W	G
16	19.16	22.25	16.16	30.00	31.88	20.00	25.00	5.00
18	21.16	23.00	18.16	30.00	33.63	20.00	27.13	5.00
21	24.19	24.25	21.19	30.00	36.38	20.25	31.00	4.50
24	28.19	25.50	24.19	38.25	39.13	20.50	34.13	4.50
28	31.25	28.25	28.25	38.25	43.88	24.50	38.25	4.50
30	33.25	29.00	30.25	38.25	45.63	24.50	40.25	4.50
32	35.25	30.00	32.25	38.25	47.63	24.50	42.25	4.50
36	39.25	32.00	36.25	38.25	51.63	25.00	47.31	4.00
42	45.88	35.25	42.88	40.25	58.25	26.75	54.00	4.00
48	51.88	38.75	48.88	44.25	64.75	30.00	60.75	4.00

R11193D

WALL MOUNTED FANS | TUBEAXIAL & VANEAXIAL FANS | CENTRIFUGAL FANS & BLOWERS
ROOF VENTILATORS | AIR HEATERS & COOLERS | AIR MAKE-UP | FIBERGLASS FANS | CUSTOM FANS



AEROVENT 
INDUSTRIAL VENTILATION SYSTEMS

AEROVENT.COM

5959 Trenton Lane N. | Minneapolis, MN 55442 | Phone: 763-551-7500 | Fax: 763-551-7501

©2000-2024 Aerovent, Minneapolis, MN. All rights reserved. Catalog illustrations cover the general appearance of Aerovent products at the time of publication and we reserve the right to make changes in design and construction at any time without notice.